

Bill-to-Bill Currency Management System Security Lock Installation OPT-BB-INST-5

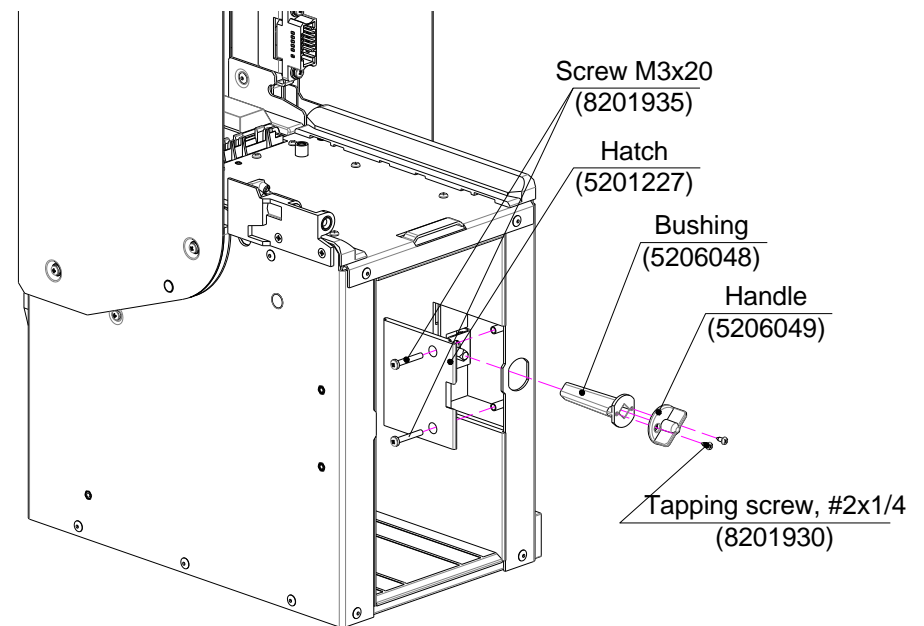
Lock Installation in Housing:

Step #1 Remove the Screw (8201935) and Hatch (5201227). DO NOT DISCARD (Fig.1)

Step #2 Remove and discard the Tapping Screw (8201930), Bushing (5206048), and Handle (5206049). (Fig.1)

Step #3 Install the Lock and Parts, as shown below. (Fig.2)

Step #4 Install the Hatch (5201227) and Screw M3x20 (8201935) that were removed. (Fig.2)



Remove parts of shipping latch

Figure 1

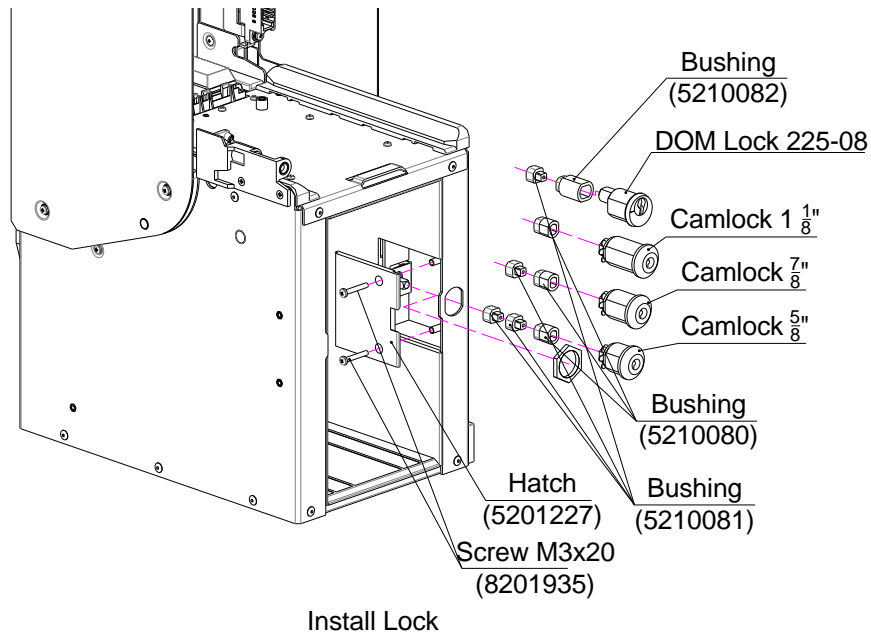


Figure 2

Lock Installation in Chassis:

- Step #1 Remove the Chassis from the Housing.
- Step #2 Remove the Dispensing Cassette from the Chassis.
- Step #3 Unscrew two Screws and remove the Lock Bracket from the Dispensing Cassette. (Fig. 4)
- Step #4 Install the Lock into the Lock Bracket. (Fig. 5)
- Step #5 Install the Lock Bracket into the Dispensing Cassette. (Fig. 6)
- Step #6 Install the Dispensing Cassette into the Chassis.
- Step #7 Install the Chassis into the Housing.

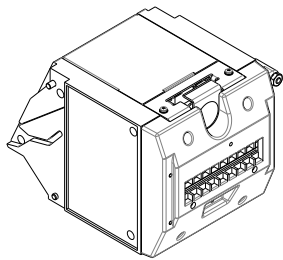


Figure 3

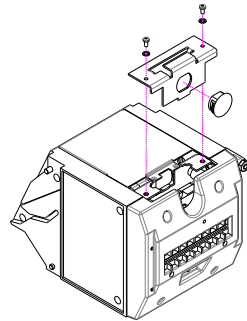
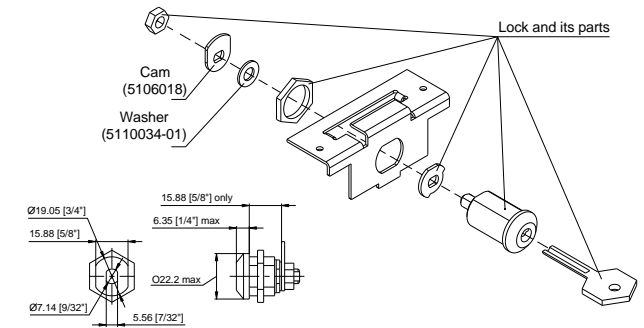


Figure 4

Variant 1

Mounting kit
OPT-MK-BBD
includes:
Cam 5106018
Washer 5110034-01
Is enclosed.



Variant 2

Mounting Kit
OPT-MK-BBD1
Includes:
Lock Washer
8203012
Cam 5106033-01
Nut 5310021
Washer 5310022
Should be ordered
separately.

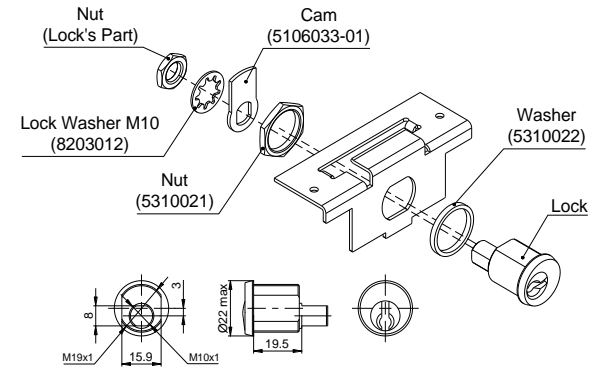


Figure 5

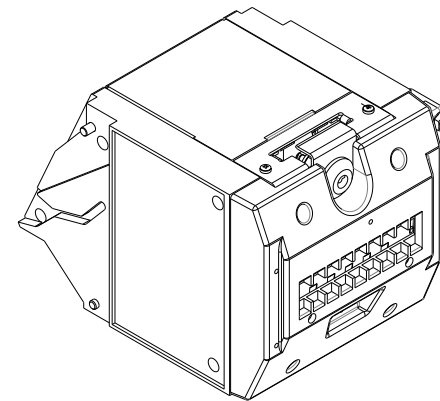


Fig. 6