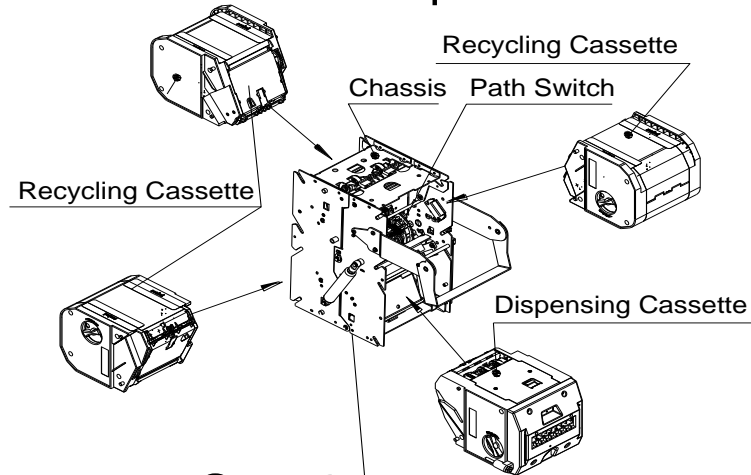
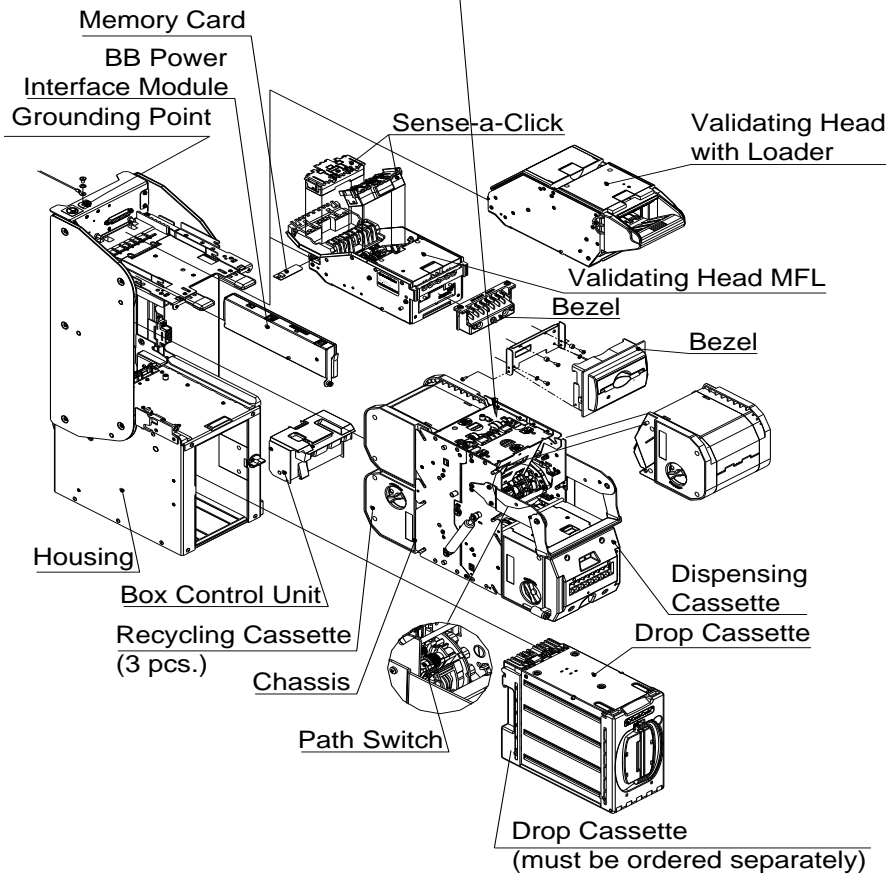


Bill-to-Bill Currency Management System
Preparation
 OPT-BB-INST-4

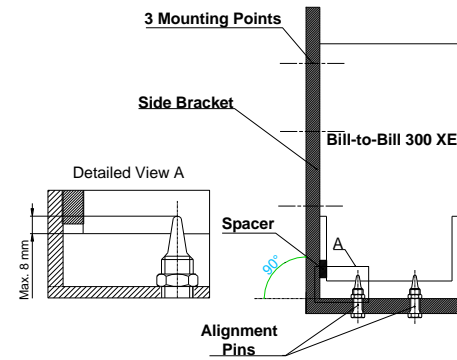
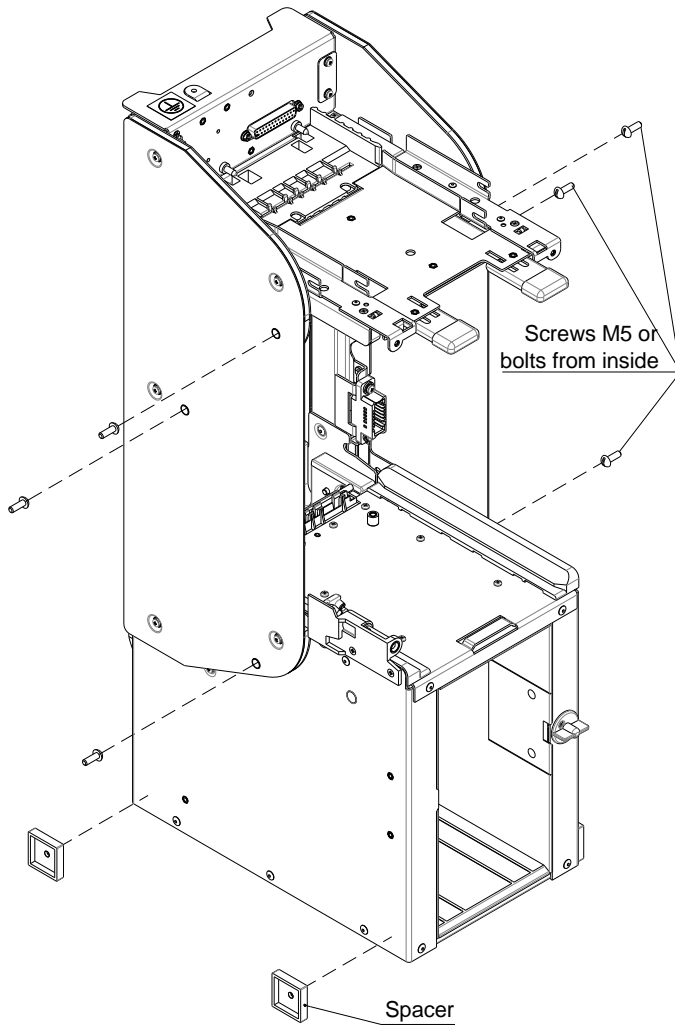
Step 1



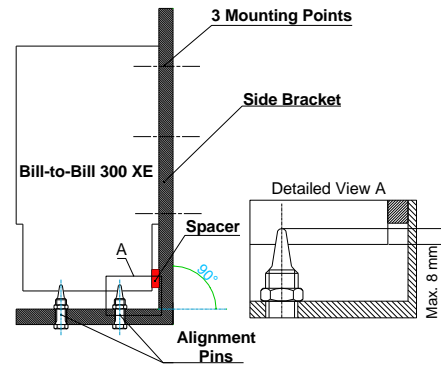
Step 2



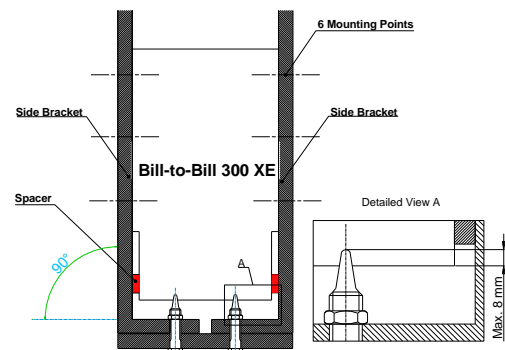
Bill-to-Bill Currency Management System
Mechanical Installation
 OPT-BB-INST-4



Side Mounting and Mounting Pin on the bottom



Side Mounting and Mounting Pin on the bottom



Side Mounting on Both Side and Mounting Pin on the bottom
 Recommended Installation Method