

# Bill-to-Bill Currency Management System

## Security Lock Installation

### OPT-BB-INST-3

#### Lock Installation in Housing:

Step #1 Remove the Screw and Lock Washer from the Lock Cover. DO NOT DISCARD (Fig.1)

Step #2 Remove and discard the Washer and Spacer. (Fig.1)

Step #3 Install the Lock and parts (Fig.2)

Step #4 Install the Cover, Screw and Lock Washer that were removed in Step #1 (Fig.3)

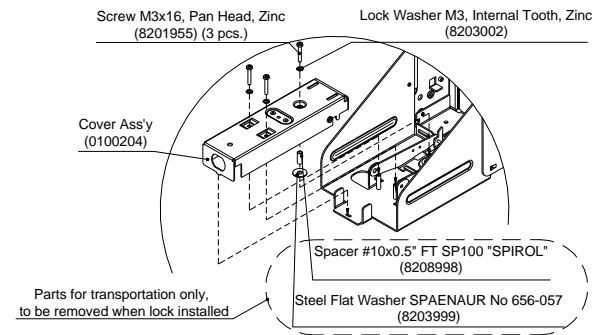


Figure 1

#### Variant 1

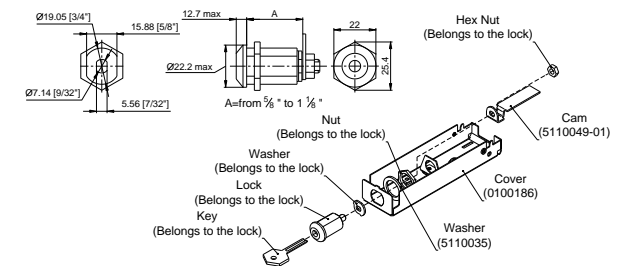
Mounting Kit  
OPT-MKFL-FLH1

Includes:

Cam 5110049-01

Washer 5110035

Is enclosed.



#### Variant 2

Mounting Kit  
OPT-MKFL-FLH2

Includes:

Cam 5110099

Nut 5310021

Plug 5206036

Should be ordered separately.

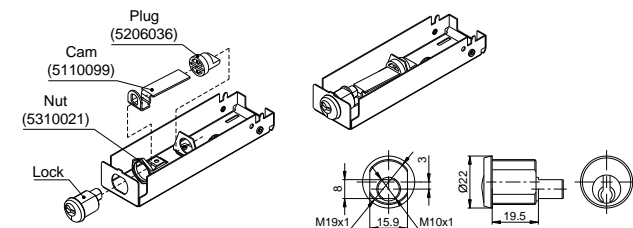


Figure 2

Screw M3x16, Pan Head, Zinc  
(8201955) (3 pcs.)

Lock Washer M3, Internal Tooth, Zinc  
(8203002) (3 pcs.)

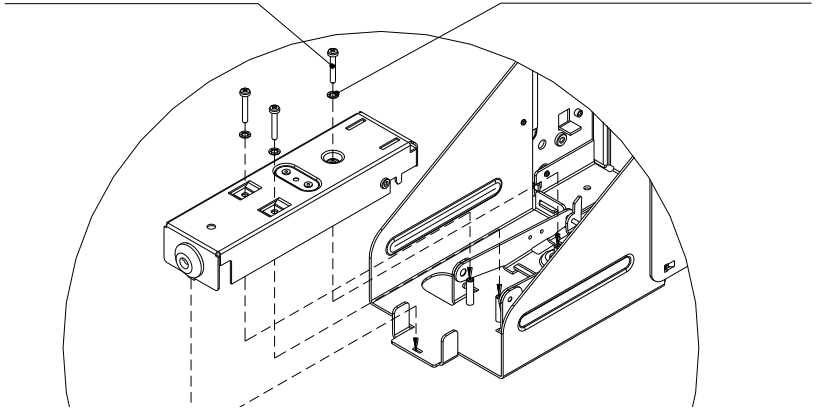


Figure 3

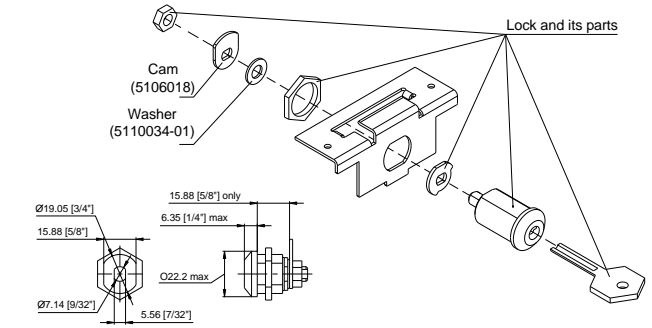
**Lock Installation in Chassis:**

- Step #1 Remove the Chassis from the Housing.
- Step #2 Remove the Dispensing Cassette from the Chassis.
- Step #3 Unscrew two Screws and remove the Lock Bracket from the Dispensing Cassette (Fig.5)
- Step #4 Install the Lock into the Lock Bracket. (Fig.6)
- Step #5 Install the Lock Bracket into the Dispensing Cassette. (Fig.7)
- Step #6 Install the Dispensing Cassette into the Chassis.
- Step #7 Install the Chassis into the Housing.

**Variant 1**

Mounting kit  
OPT-MK-BBD

Includes:  
Cam 5106018  
Washer 5110034-01  
Is enclosed.



**Variant 2**

Mounting Kit  
OPT-MK-BBD1

Includes:  
Lock Washer 8203012  
Cam 5106033-01  
Nut 5310021  
Washer 5310022  
Should be ordered  
separately.

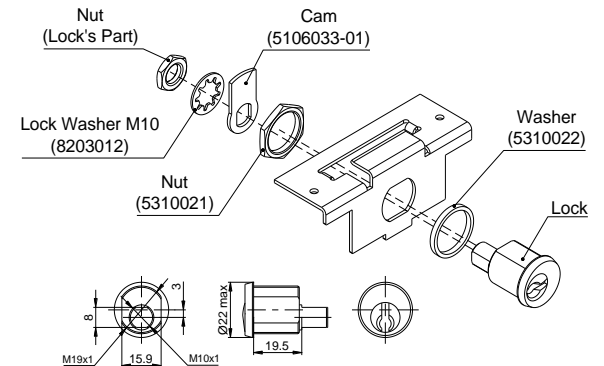


Figure 6

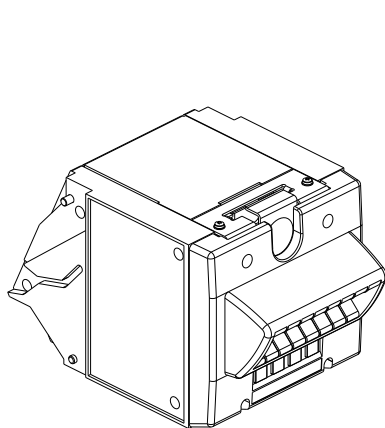


Figure 4

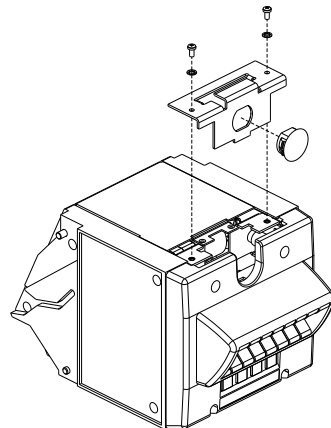


Figure 5

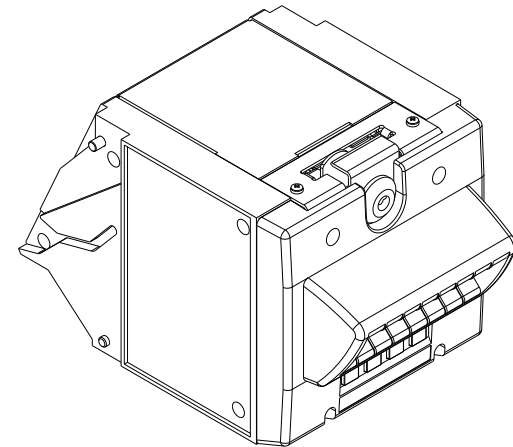


Figure 7