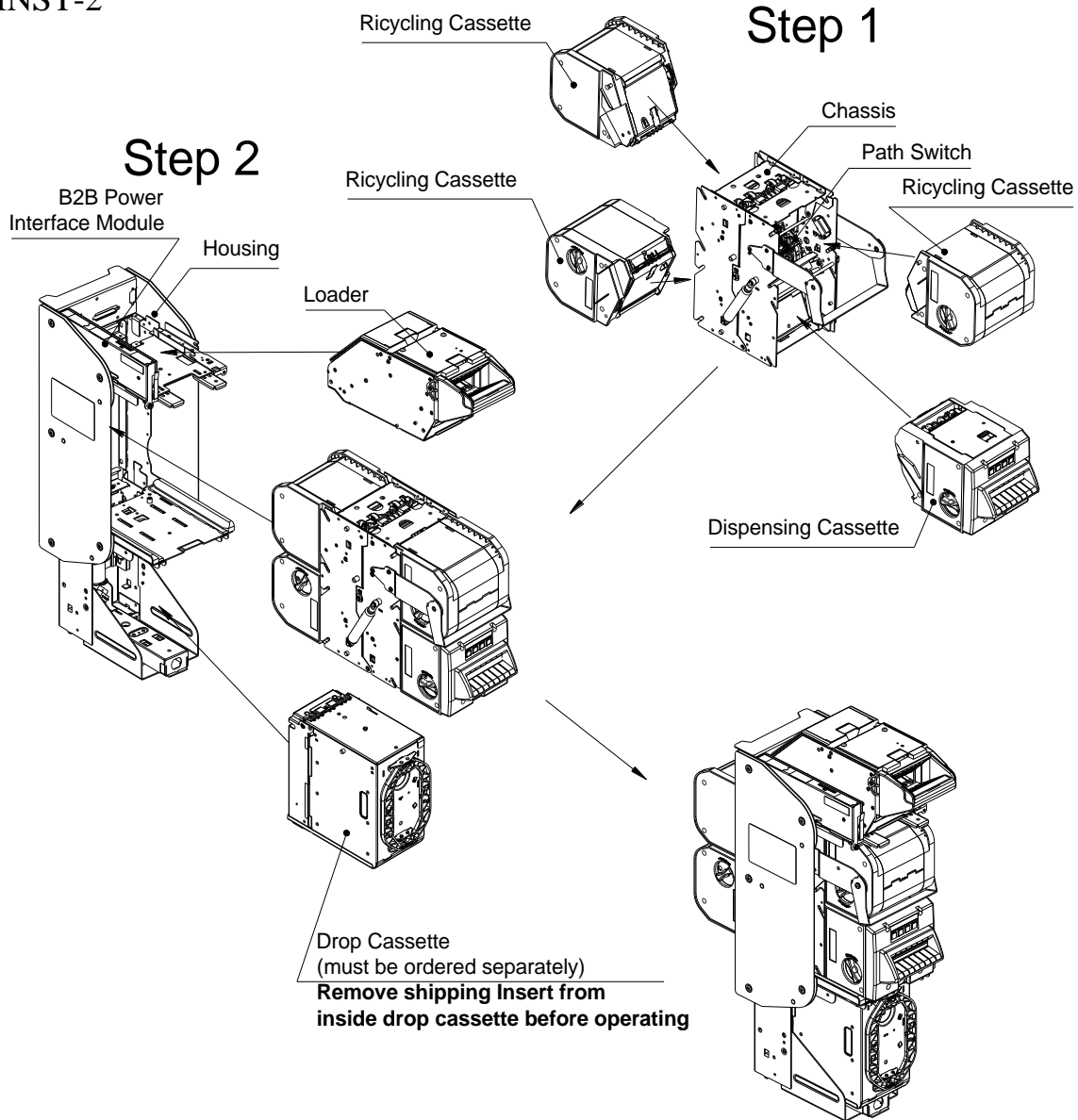


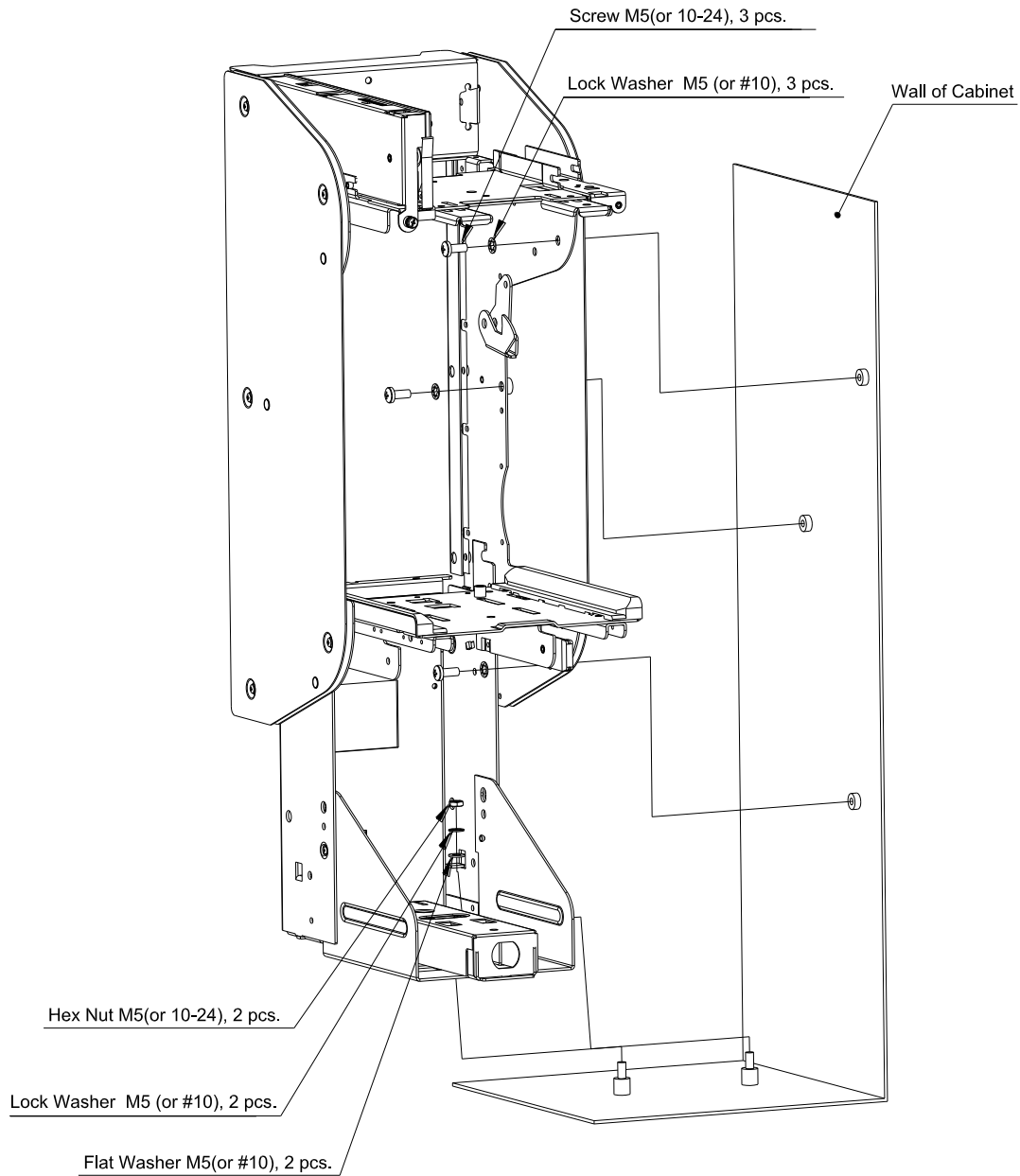
Bill-to-Bill Currency Management System

# Preparation

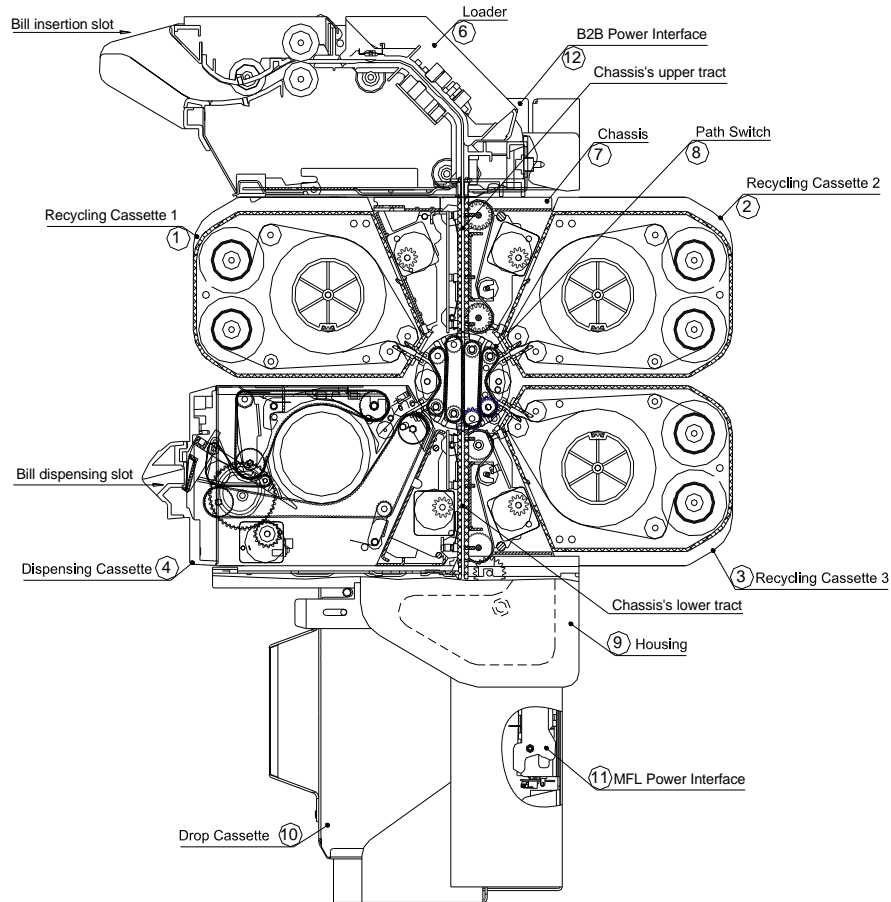
OPT-BB-INST-2



Bill-to-Bill Currency Management System  
**Mechanical Installation**  
OPT-BB-INST-2



Bill-to-Bill Currency Management System  
**Section View**  
 OPT-BB-INST-2



**Bill-to-Bill**  
 Moving bill from Recycling  
 Cassettes to Drop Cassette

**Bill-to-Bill**  
 Moving bill from Loader to Recycling  
 Cassettes or Drop Cassette

**Bill-to-Bill**  
 Moving bill from Recycling Cassettes  
 to Dispensing Cassette

