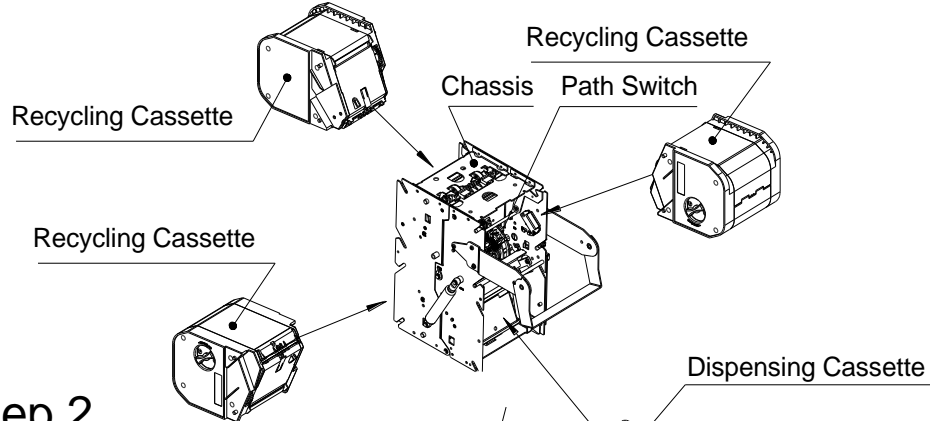


Bill-to-Bill Currency Management System

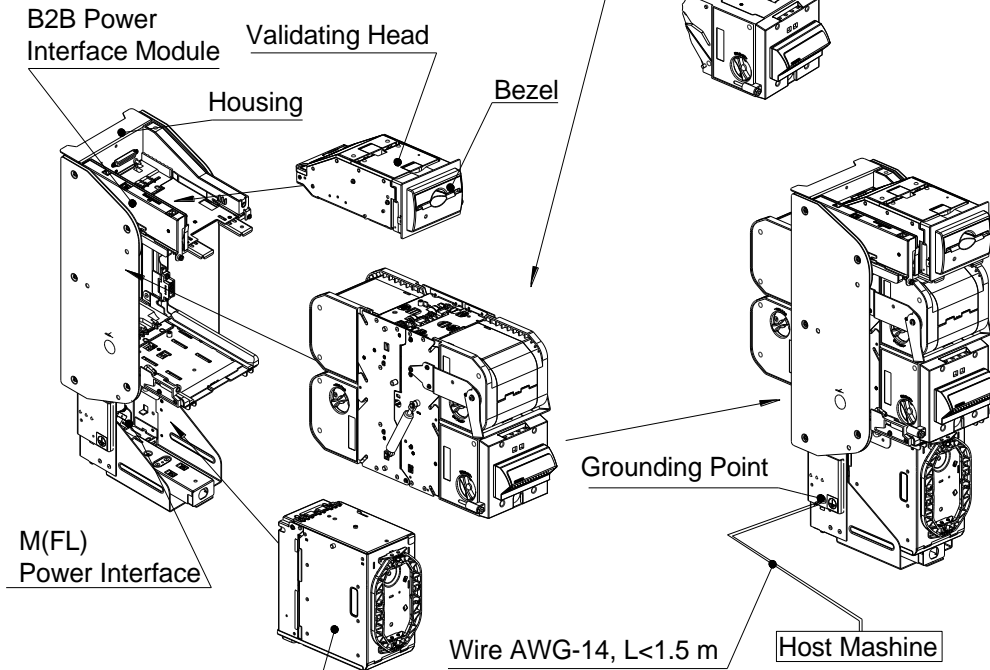
# Preparation

OPT-BB-INST-1

## Step 1



## Step 2

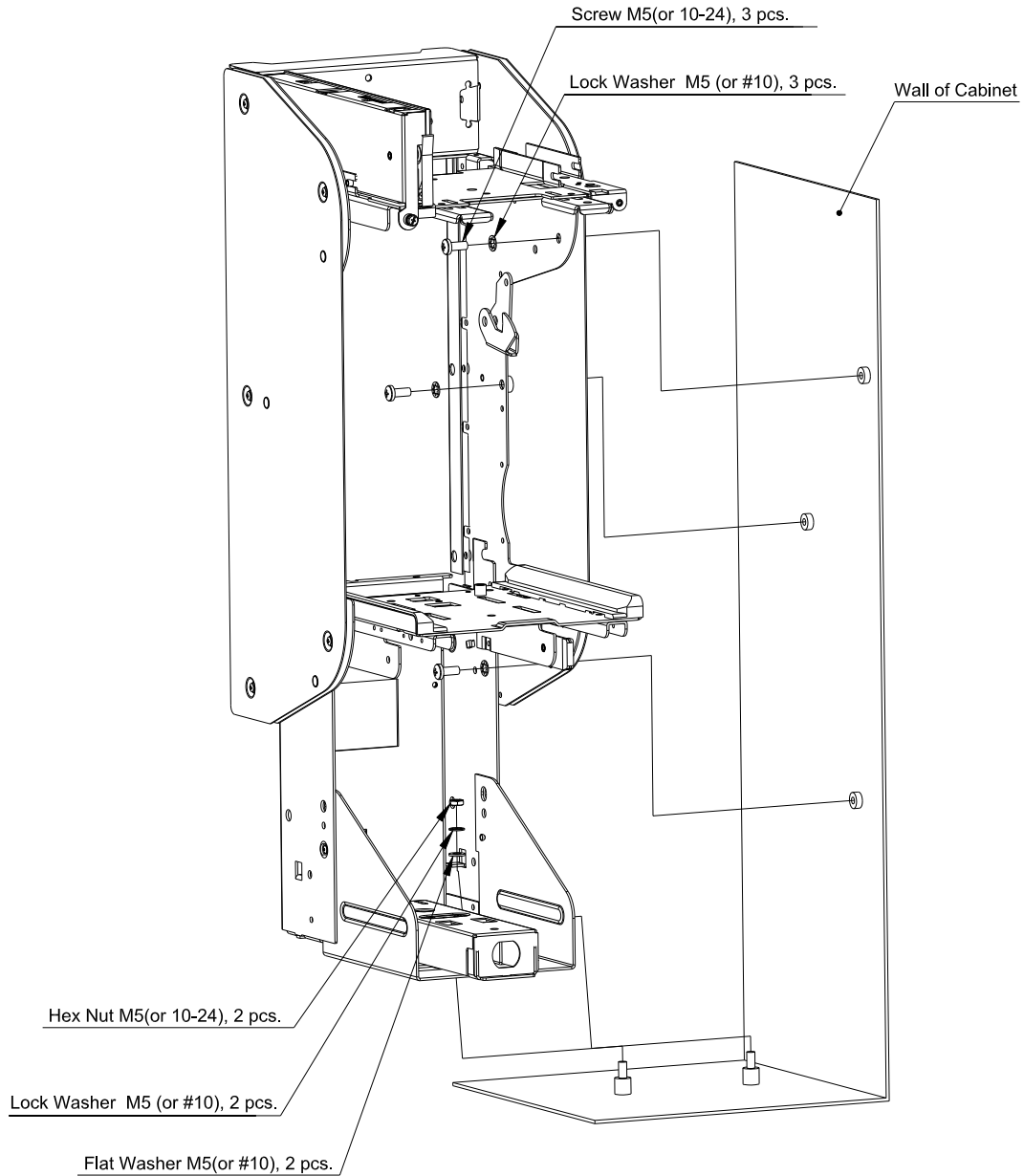


Drop Cassette  
(must be ordered separately)  
**Remove shipping Insert from  
inside drop cassette before operating**

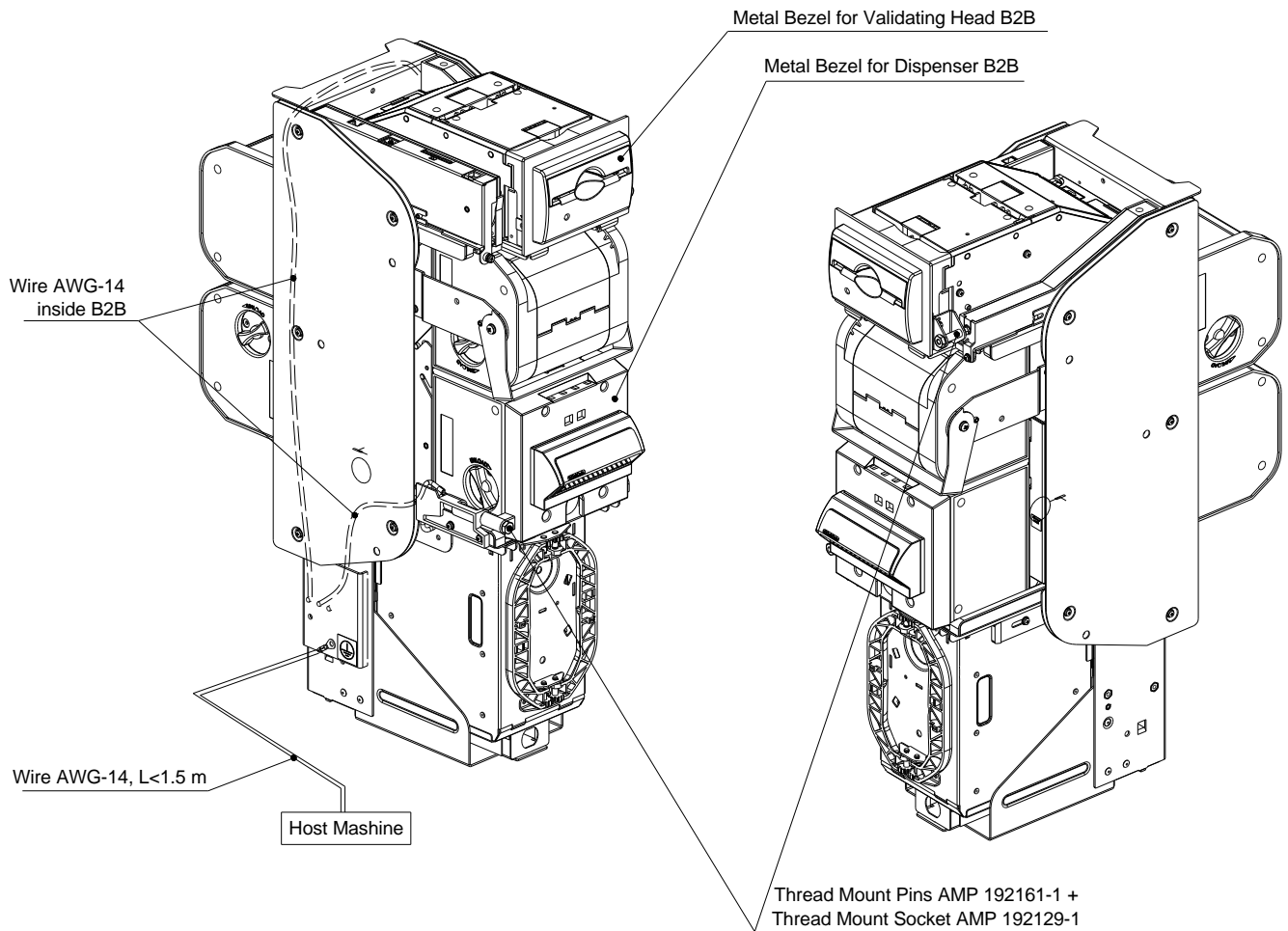
Bill-to-Bill Currency Management System

# Mechanical Installation

OPT-BB-INST-1 OPT-BB-INST-1



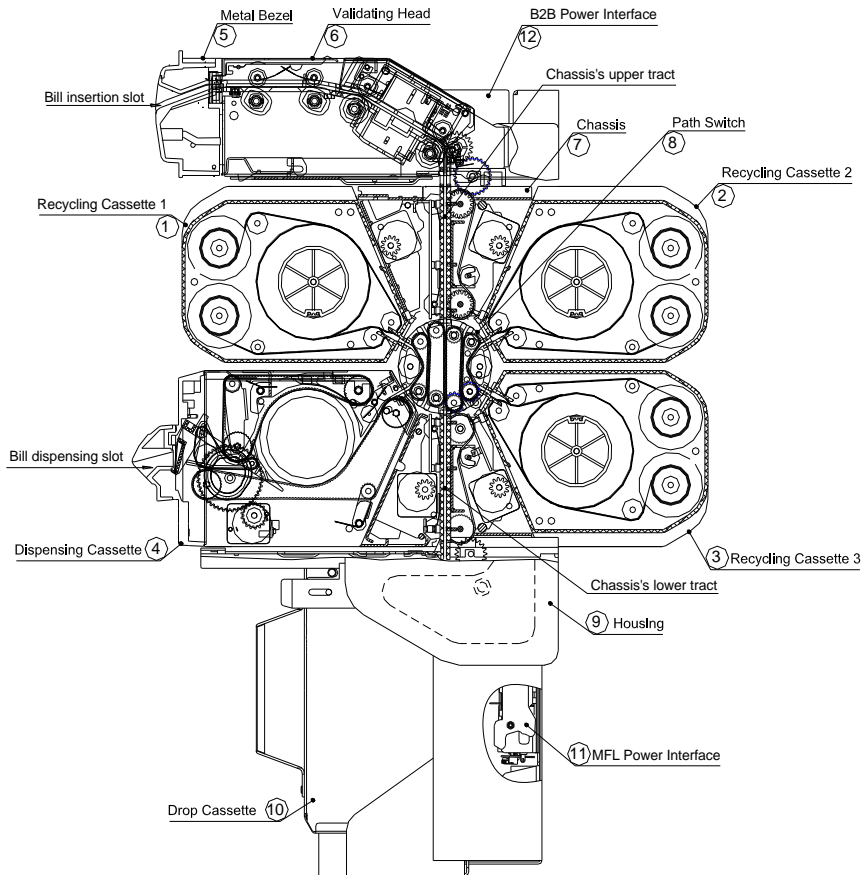
Bill-to-Bill Currency Management System  
**Grounding Diagram**  
OPT-BB-INST-1



# Bill-to-Bill Currency Management System

## Section View

OPT-BB-INST-1



**Bill-to-Bill**  
Moving bill from Recycling  
Cassettes to Drop Cassette

**Bill-to-Bill**  
Moving bill from Validating Head to  
Recycling Cassettes or Drop Cassette

**Bill-to-Bill**  
Moving bill from Recycling Cassettes  
to Dispensing Cassette

