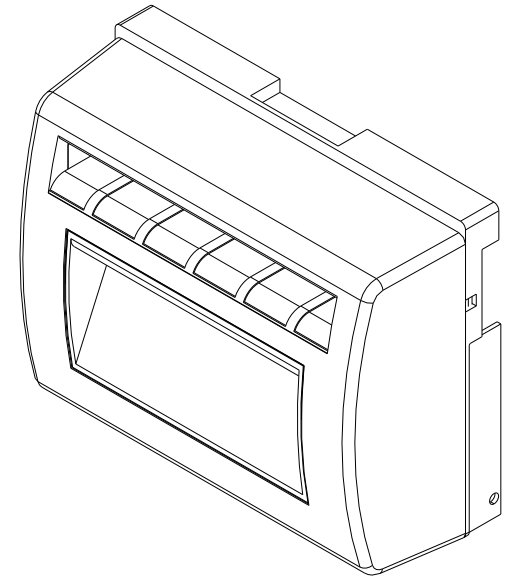


Front Load Bill Validator

MFL Bezel

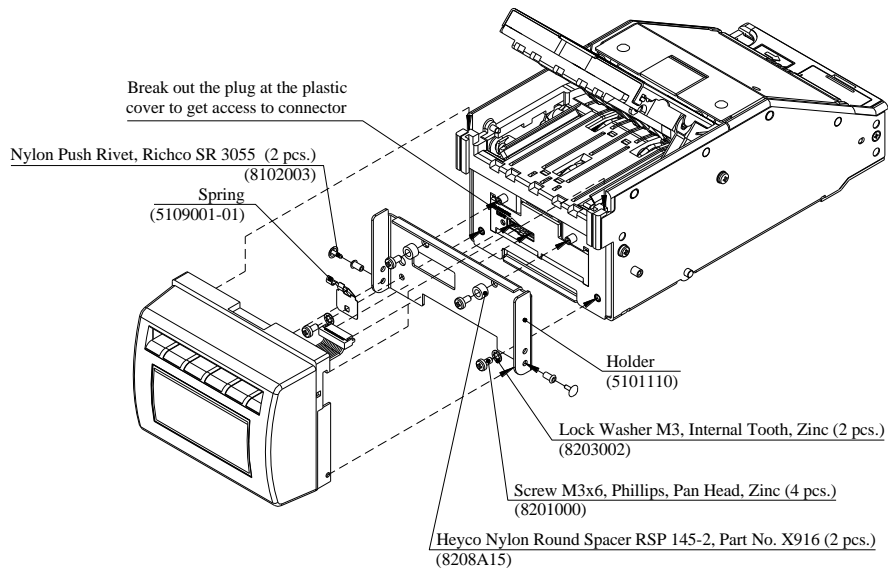
MFLB-9032



Specifications:

- Digital Display Bezel
- Handled Bill Width 62-82 mm

Bezel Installation



Warning

- Switch power off or disconnect power-interface cable.
- Do not touch electrical connectors or cables without using proper electrostatic protection.
- Install the spring (5109001-01) using orientation as shown.