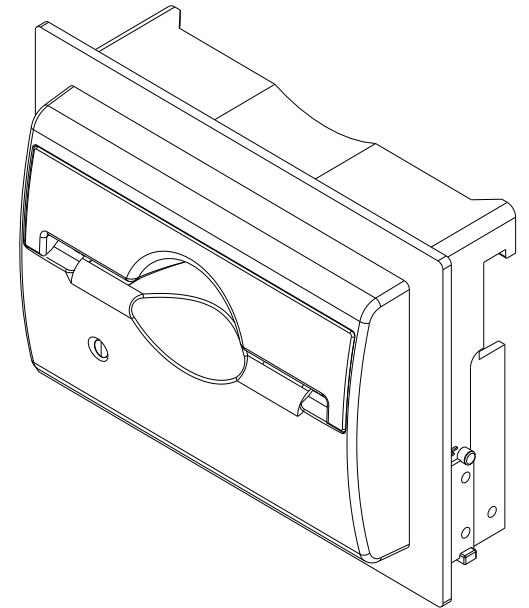


## Front Load Bill Validator

MFL Bezel

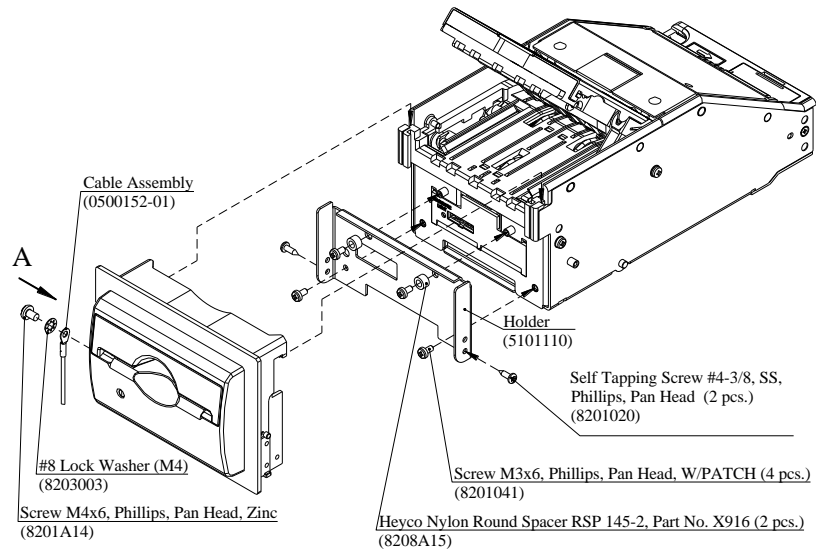
**MFLB-7103**



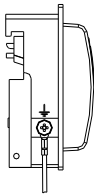
### Specifications:

- Metal Coin-Proof Bezel
- Handled Bill Width 62-82 mm

## Bezel Installation



View A



## Warning

- Switch power off or disconnect power-interface cable.
- Do not touch electrical connectors or cables without using proper electrostatic protection.
- Use Mounting Kit OPT-MKBB-GND to provide protective grounding.
- Connect grounding cable to screw shown in View A. A copper wire of 14 - 12 AWG may also be used.