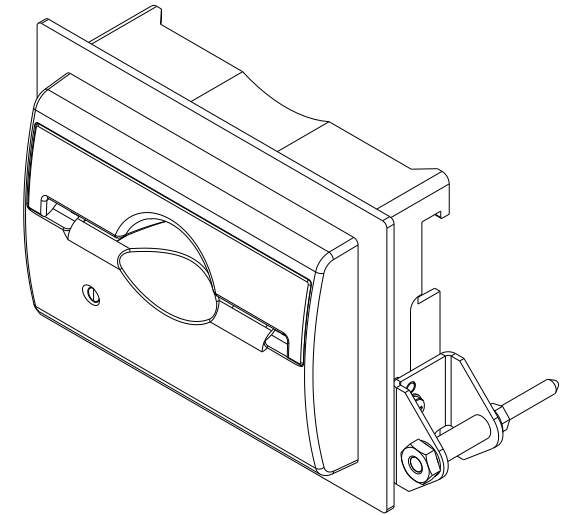


## Front Load Bill Validator

**MFL Bezel**

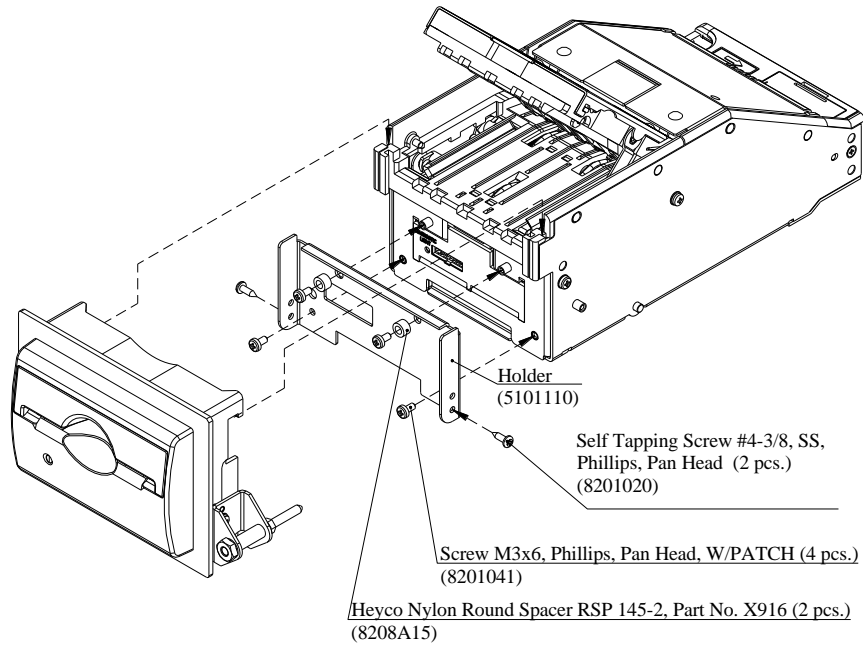
**MFLB-7102**



### Specifications:

- Metal Coin-Proof Bezel
- Handled Bill Width 62-82 mm

## Bezel Installation



## Warning

- Switch power off or disconnect power-interface cable
- Do not touch electrical connectors or cables without using proper electrostatic protection