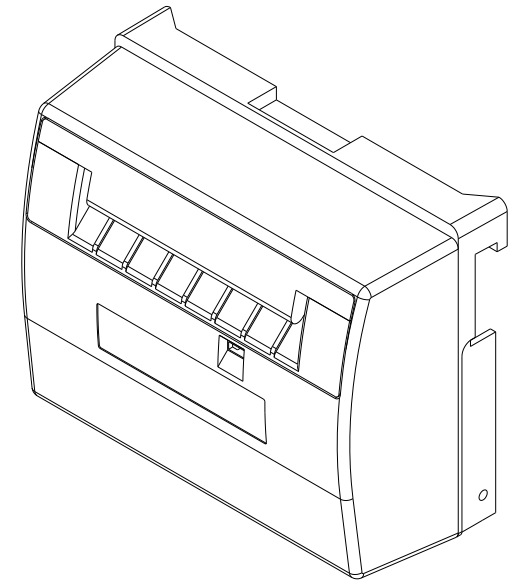


Front Load Bill Validator

MFL Bezel

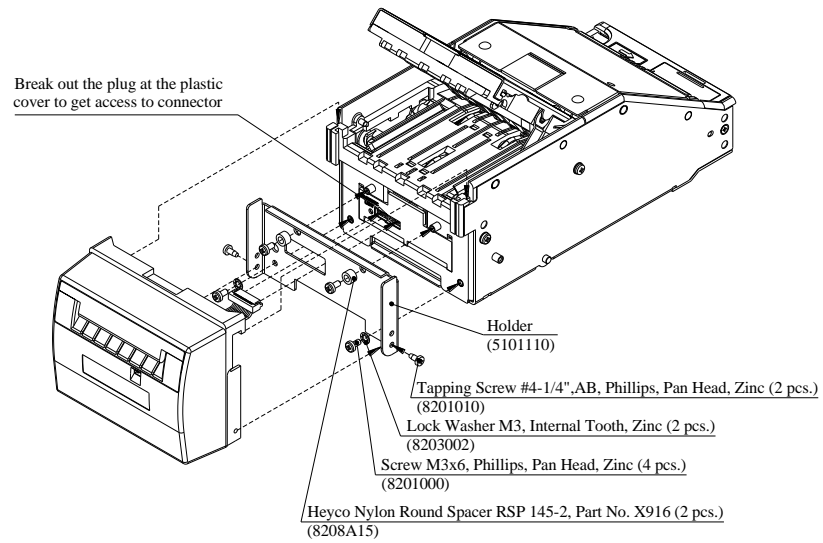
MFLB-7101



Specifications:

- Metal Coin-Proof Bezel
- Handled Bill Width 62-82 mm

Bezel Installation



Warning

- Switch power off or disconnect power-interface cable
- Do not touch electrical connectors or cables without using proper electrostatic protection