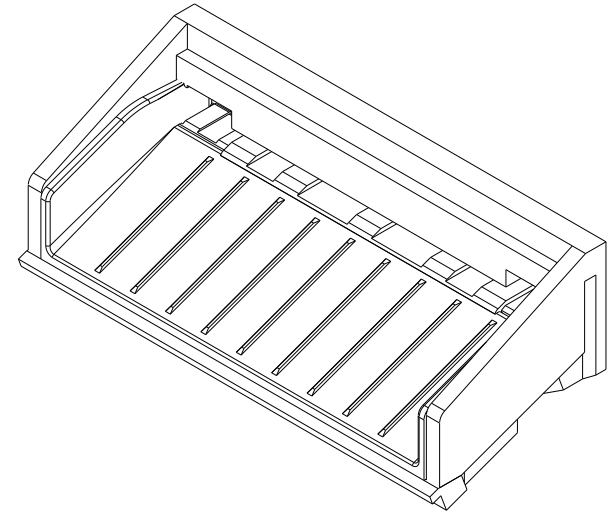


## Front Load Bill Validator

**MFL Bezel**

**MFLB-5701**

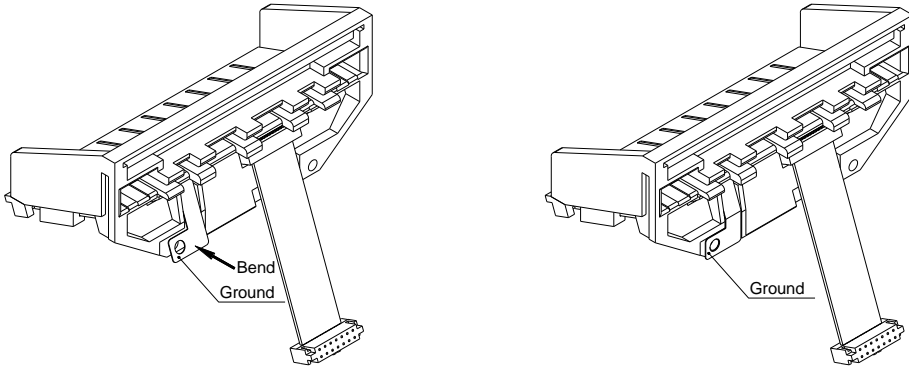


### Specifications:

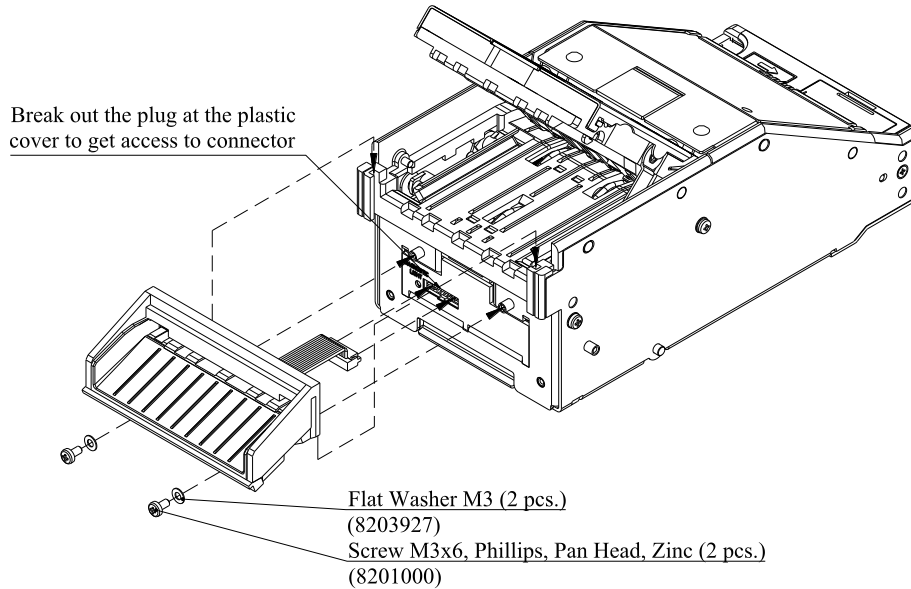
- Bezel, Custom
- Handled Bill Width 62-82 mm

## Bezel Installation

Step 1. Bend a Ground of the Bezel.



Step 2. Attach Bezel to the Validator Head and screw on.



Step 3. Connect a socket of the Cable to a plug of the Validator Head.

## Warning

- Switch power off or disconnect power-interface cable
- Do not touch electrical connectors or cables without using proper electrostatic protection