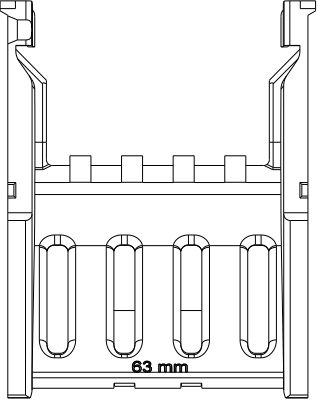
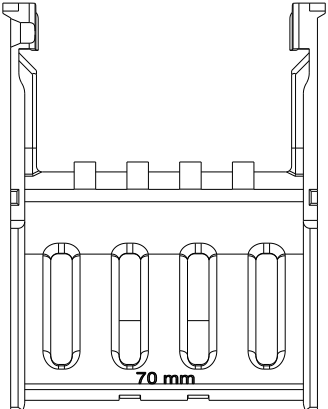


## Bill-to-Bill Currency Management System

### OPT-SL-INSERT-63/70

Part No.	Max. Handled Bill Width mm	Figure
5202167-63	63	 A technical line drawing of a bill slot insert. It shows a rectangular frame with a central horizontal slot. Inside the slot, there are four vertical rollers. The width of the slot is labeled as 63 mm at the bottom.
5202167-70	70	 A technical line drawing of a bill slot insert, similar to the 63mm version but wider. It shows a rectangular frame with a central horizontal slot and four vertical rollers. The width of the slot is labeled as 70 mm at the bottom.

## SUZHAPP

1743 Linneman Road, Mount Prospect, IL 60056 USA  
PHONE: 1-847-952-5932 or 1-800-239-7017

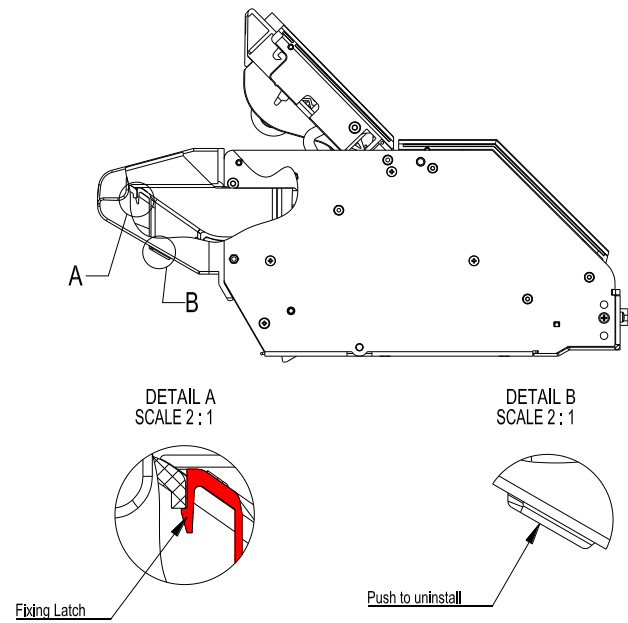
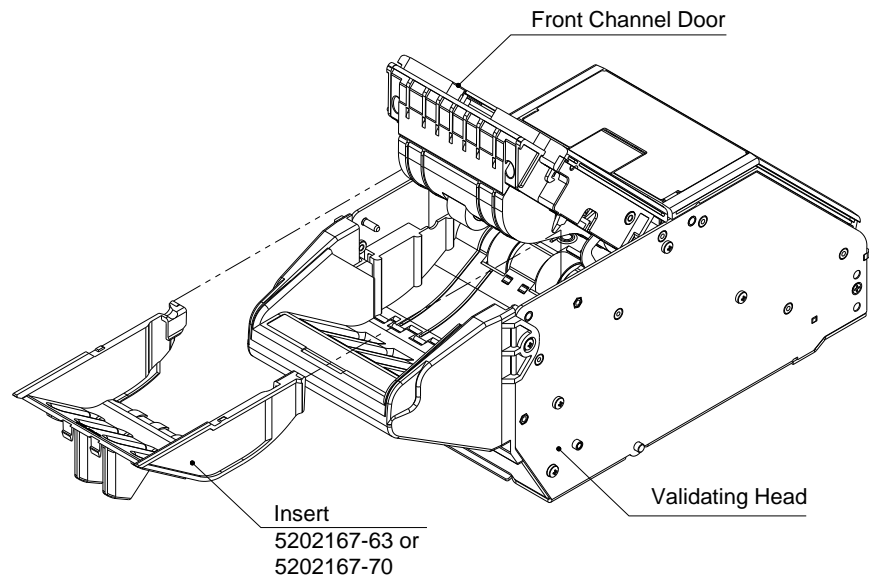
[bill-to-bill@suzohapp.com](mailto:bill-to-bill@suzohapp.com)

<http://www.suzohapp.com/Bill-to-Bill>

© 2014 Suzo-Happ Group

## Insert Installation:

1. Open the Front Channel Door.
2. Install 5202167-63 or 5202167-70 Insert.



3. Close the Front Channel Door.