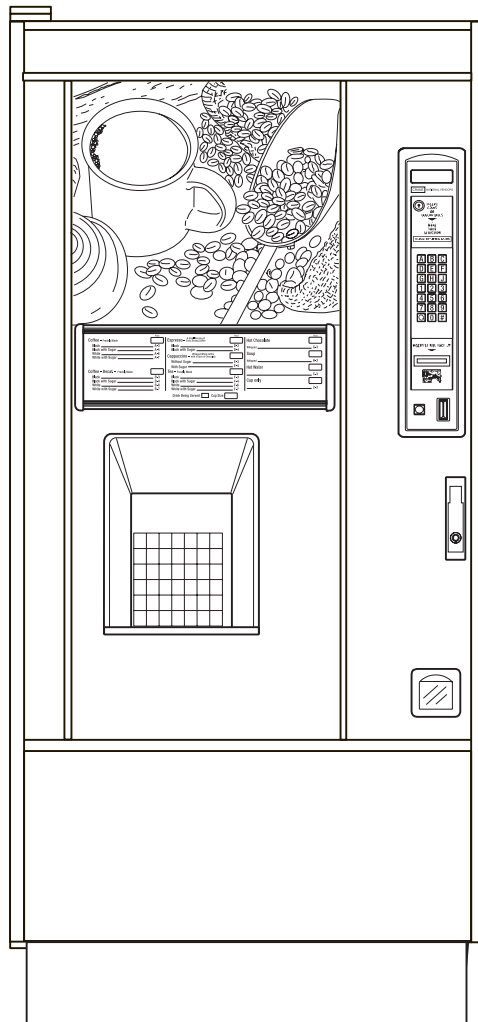


6700002

Model 670, 678

Hot Drink



630p0001

PARTS MANUAL

CRANE

MERCHANDISING SYSTEMS A Crane Co. Company



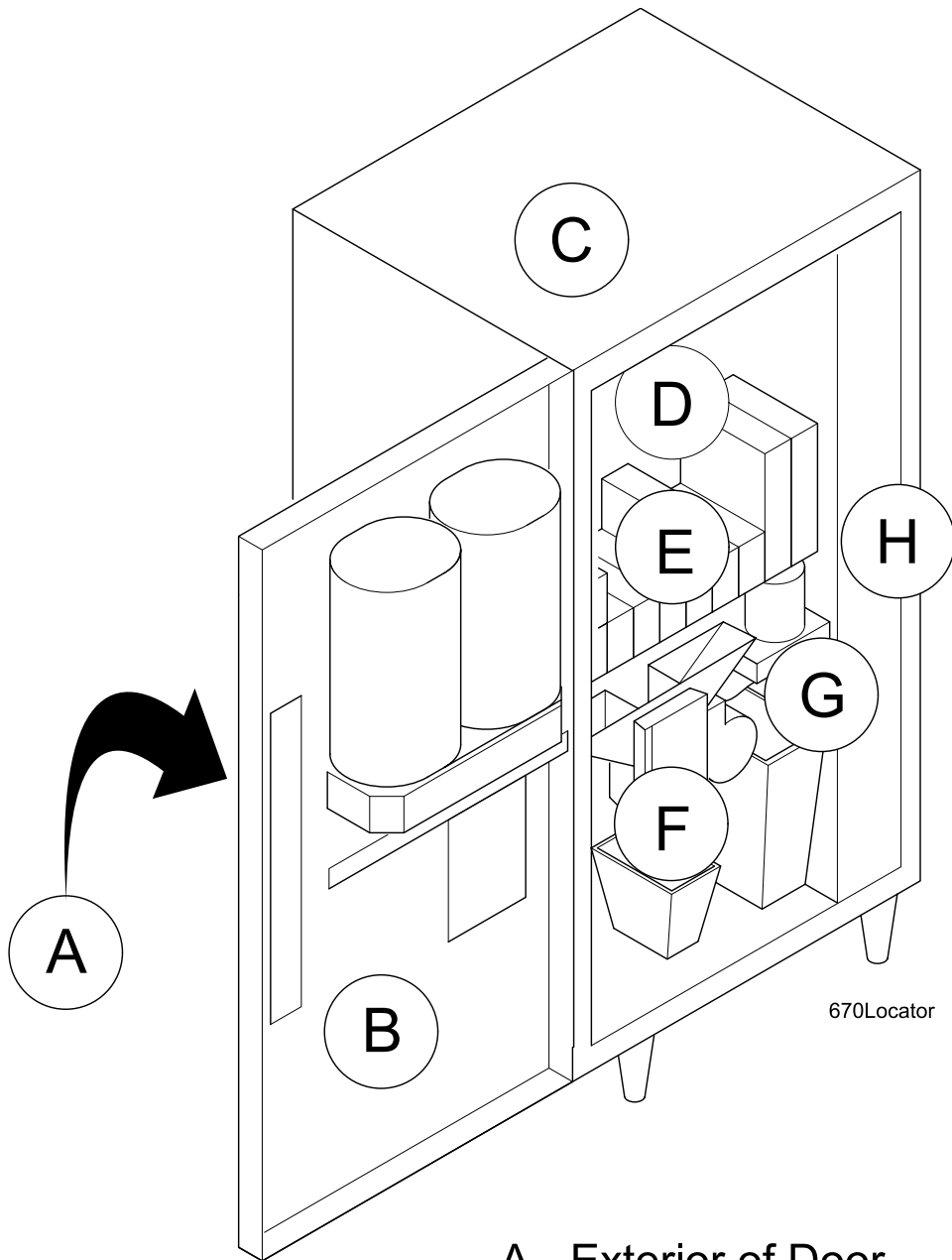
12955 Enterprise Way
Bridgeton, Missouri 63044-1200
(314) 298-3500
www.nationalvendors.com

Copyright© 6-03

CMS

PARTS
— and —
SUPPORT

The Right Part, Right Now



- A - Exterior of Door
- B - Interior of Door
- C - Cabinet
- D - Water Tank, Water Filters
- E - Product Canisters
- F - Cup Station
- G - Brewer
- H - Monetary

Crane Merchandising Systems Parts and Support
Parts: 1-800-621-7278 Service: 1-800-628-8363

List of Figures

Section A: Exterior of Door	1
FIGURE 1: 670 Merchandiser	1
FIGURE 2: Door Assembly - Exterior.....	2
FIGURE 3: GPL Trim	4
FIGURE 4: Generation Trim.....	6
FIGURE 5: Trim and Panels	8
FIGURE 6: Display Assembly	10
Section B: Interior of Door	12
FIGURE 7: Door Assembly - Interior.....	12
FIGURE 9: Door Lock Mechanism.....	14
FIGURE 10: Door Lock and Handle Assembly	16
FIGURE 11: Coin Receptacle Assembly.....	18
FIGURE 12: Turret and Canister Assembly - 4 Column.....	20
FIGURE 13: Canister Assembly.....	22
FIGURE 14: Cup Ring Assembly	24
FIGURE 15: Automatic Delivery Door.....	26
Section C: Cabinet Misc. Parts	28
FIGURE 16: Cabinet Assembly (Part 1 of 3).....	28
FIGURE 17: Cabinet Assembly (Part 2 of 3).....	30
FIGURE 18: Cabinet Assembly (Part 3 of 3).....	32
FIGURE 19: Service Light/Bracket Assembly - 115 V.....	34
FIGURE 20: Miscellaneous Mounted Parts - Lower Door.....	36
FIGURE 21: Hinge Assembly - Upper.....	38
FIGURE 22: Leg Leveler and Leg and Hinge Assemblies	40
FIGURE 23: Base Plate Assembly (Optional).....	42
FIGURE 24: Overflow Switch Assembly	44
FIGURE 25: Bracket Blower and Cover Assembly	46
Section D: Water Tank Water Filters	48
FIGURE 26: Water Tank Assembly	48
FIGURE 27: Lid Assembly - Water Tank	50
FIGURE 28: Valve Assembly - Hot Water.....	52
FIGURE 29: Water Filter Assembly	54
FIGURE 30: Air Compressor Assembly	56
FIGURE 31: Filter Head Assembly - With Everpure Filter.....	58
FIGURE 32: Filter Head Assembly - With Hydrolife Filter	59
FIGURE 33: Filter Head Assembly - With Cuno Filter.....	60
FIGURE 34: Water Valve Assembly - Without Filter	61

List of Figures

Section E: Product Canisters.....	62
FIGURE 35: Canister Support Assembly.....	62
FIGURE 36: Canister Motor and Plate Assemblies	64
FIGURE 38: Regulator Assembly	66
FIGURE 39: Mixing Bowl and Whipper Assembly	68
FIGURE 40: Product/Condiment Chutes	70
FIGURE 41: Product and Condiment Canisters	72
FIGURE 42: Canister Assembly - Chocolate	74
FIGURE 43: Canister Assembly - Optional Product or Decaf.....	76
FIGURE 44: Canister Assembly - Lightener	78
FIGURE 45: Canister Assembly - Sugar	80
FIGURE 46: Canister Assembly - Freeze Dried Coffee.....	82
FIGURE 47: Canister Assembly - Fresh Brew Coffee	84
Section F: Cup Station.....	86
FIGURE 48: Cup Delivery Assembly	86
FIGURE 49: Cup Station Support.....	88
Section G: Brewer	90
FIGURE 50: Single Brewer Assembly (Without Filter).....	90
FIGURE 51: Single Brewer Assembly - (With Filter)	92
FIGURE 52: Brewer Drive Assembly	94
FIGURE 53: Barrel Assembly - Single Brewer	96
FIGURE 54: Rack Assembly	98
FIGURE 55: Paper Mechanism Assembly - Single Brewer With Filter	100
FIGURE 56: Filter Paper Housing	102
FIGURE 57: Mixing Bowl and Brewer Ventilation System.....	104
FIGURE 58: Vent Tubing (Model 670 Only)	106
FIGURE 59: Vent Tubing (Model 678 Only)	108
Section H: Monetary.....	110
FIGURE 60: Monetary Panel (Part 1 of 3)	110
FIGURE 61: Monetary Panel (Part 2 of 3)	112
FIGURE 62: Monetary Panel (Part 3 of 3)	114
FIGURE 63: Card Reader and Bill Validator Options	116
FIGURE 70: Power Panel Assembly	120
FIGURE 71: Monetary Channel.....	122
FIGURE 72: Wiring Diagram - 115 V.....	124

List of Tables

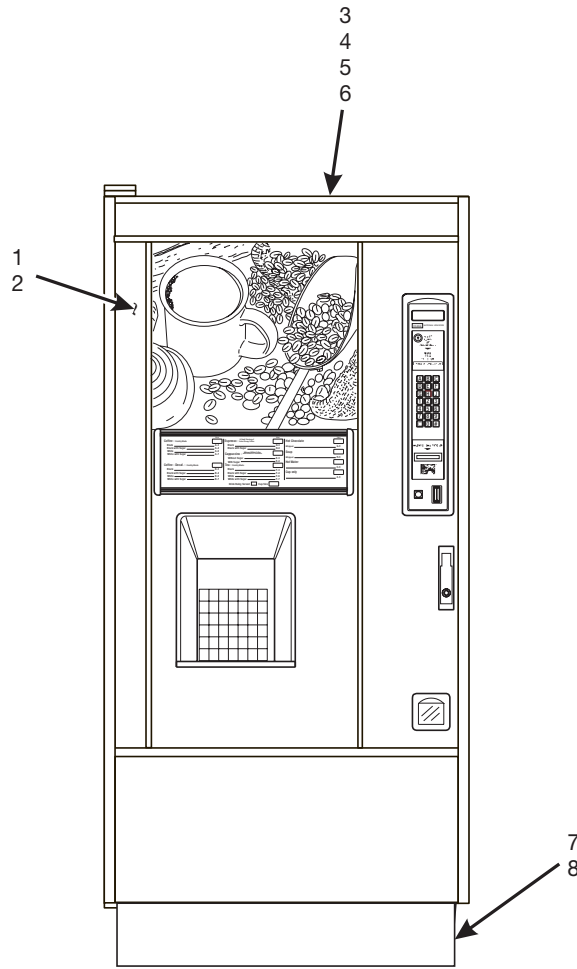
Section A: Exterior of Door	1
TABLE 1: 670 Merchandiser	1
TABLE 2: Door Assembly - Exterior	3
TABLE 3: GPL Trim	5
TABLE 4: Generation Trim	7
TABLE 5: Trim and Panels	9
TABLE 6: Display Assembly	11
Section B: Interior of Door	12
TABLE 7: Door Assembly - Interior	13
TABLE 8: Bag Assembly B6700000	13
TABLE 9: Door Lock Mechanism	15
TABLE 10: Door Lock and Handle Assembly	17
TABLE 11: Coin Receptacle Assembly	19
TABLE 12: Turret and Canister Assembly - 4 Column	21
TABLE 13: Canister Assembly	23
TABLE 14: Cup Ring Assembly	25
TABLE 15: Automatic Delivery Door	27
Section C: Cabinet Misc. Parts	28
TABLE 16: Cabinet Assembly (Part 1 of 3)	29
TABLE 17: Cabinet Assembly (Part 2 of 3)	31
TABLE 18: Cabinet Assembly (Part 3 of 3)	33
TABLE 19: Service Light/Bracket Assembly - 115 V	35
TABLE 20: Miscellaneous Mounted Parts - Lower Door	37
TABLE 21: Hinge Assembly - Upper	39
TABLE 22: Leg Leveler and Leg and Hinge Assemblies	41
TABLE 23: Base Plate Assembly (Optional)	43
TABLE 24: Overflow Switch Assembly	45
TABLE 25: Bracket Blower and Cover Assembly	47
Section D: Water Tank Water Filters	48
TABLE 26: Water Tank Assembly	49
TABLE 27: Lid Assembly - Water Tank	51
TABLE 28: Valve Assembly - Hot Water	53
TABLE 29: Water Filter Assembly	55
TABLE 30: Air Compressor Assembly	57
TABLE 31: Filter Head Assembly - With Everpure Filter	58
TABLE 32: Filter Head Assembly - With Hydrolife Filter	59
TABLE 33: Filter Head Assembly - With Cuno Filter	60
TABLE 34: Water Valve Assembly - Without Filter	61

List of Tables

Section E: Product Canisters	62
TABLE 35: Canister Support Assembly	63
TABLE 36: Canister Motor and Plate Assemblies	65
TABLE 37: Tubing (not shown).....	65
TABLE 38: Regulator Assembly	67
TABLE 39: Mixing Bowl and Whipper Assembly	69
TABLE 40: Product/Condiment Chutes	71
TABLE 41: Product and Condiment Canisters	73
TABLE 42: Canister Assembly - Chocolate	75
TABLE 43: Canister Assembly - Optional Product or Decaf.....	77
TABLE 44: Canister Assembly - Lightener	79
TABLE 45: Canister Assembly - Sugar.....	81
TABLE 46: Canister Assembly - Freeze Dried Coffee.....	83
TABLE 47: Canister Assembly - Fresh Brew Coffee	85
Section F: Cup Station	86
TABLE 48: Cup Delivery Assembly	87
TABLE 49: Cup Station Support.....	89
Section G: Brewer	90
TABLE 50: Single Brewer Assembly (Without Filter).....	91
TABLE 51: Single Brewer Assembly - (With Filter).....	93
TABLE 52: Brewer Drive Assembly.....	95
TABLE 53: Barrel Assembly - Single Brewer.....	97
TABLE 54: Rack Assembly.....	99
TABLE 55: Paper Mechanism Assembly - Single Brewer With Filter	101
TABLE 56: Filter Paper Housing.....	103
TABLE 57: Mixing Bowl and Brewer Ventilation System	105
TABLE 58: Vent Tubing (Model 670 Only)	107
TABLE 59: Vent Tubing (Model 678 Only)	109
Section H: Monetary	110
TABLE 60: Monetary Panel (Part 1 of 3)	111
TABLE 61: Monetary Panel (Part 2 of 3)	113
TABLE 62: Monetary Panel (Part 3 of 3)	115
TABLE 63: Card Reader and Bill Validator Options	117
TABLE 64: Monetary Location Options	117
TABLE 65: Coin Mech Options - "Dumb".....	118
TABLE 66: Coin Mech Options - "MDB"	118
TABLE 67: Bill Validator Options - "Serial"	119
TABLE 68: Bill Validator Options - "Pulse"	119
TABLE 69: Bill Validator Options - "MDB"	119
TABLE 70: Power Panel Assembly	121
TABLE 71: Monetary Channel	123

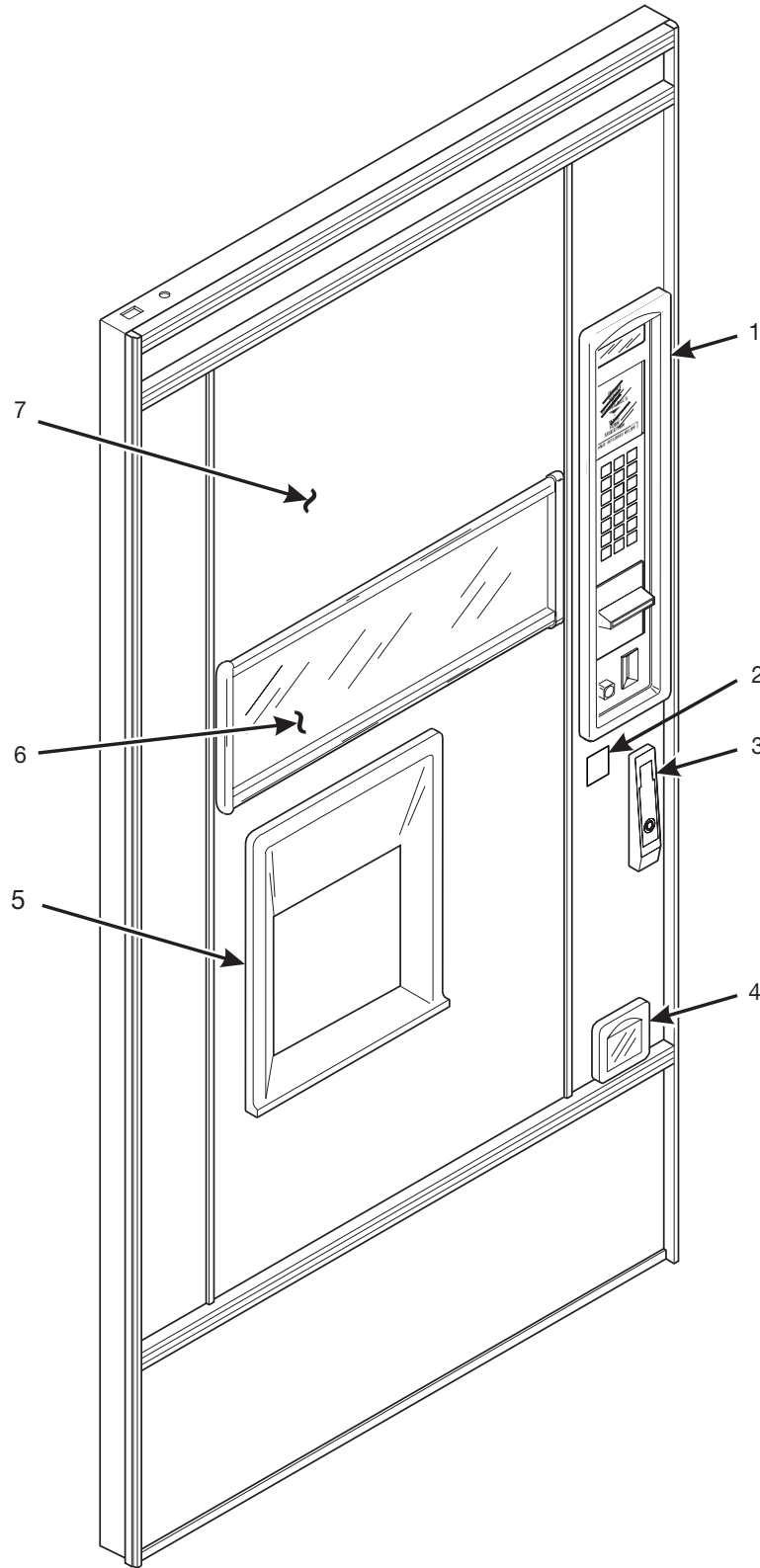
TABLE 1: 670 MERCHANDISER

INDEX	DESCRIPTION
1	DOOR ASSEMBLY - EXTERIOR (SEE TABLE 2 FOR DETAILS)
2	DOOR ASSEMBLY - INTERIOR (SEE TABLE 7 FOR DETAILS)
3	CABINET ASSEMBLY - PART 1 (SEE TABLE 16 FOR DETAILS)
4	CABINET ASSEMBLY - PART 2 (SEE TABLE 17 FOR DETAILS)
5	CABINET ASSEMBLY - PART 3 (SEE TABLE 18 FOR DETAILS)
6	WATER FILTER ASSEMBLY (SEE TABLE 29 FOR DETAILS)
7	BASE PLATE ASSEMBLY (SEE TABLE 23 FOR DETAILS)
8	LEG LEVELER AND LEG AND HINGE ASSEMBLIES (SEE TABLE 22 FOR DETAILS)
--	BAG ASSEMBLIES (SEE TABLE 8 FOR DETAILS)
--	TUBING (SEE TABLE 37 FOR DETAILS)



630p0001

FIGURE 1: 670 MERCHANDISER

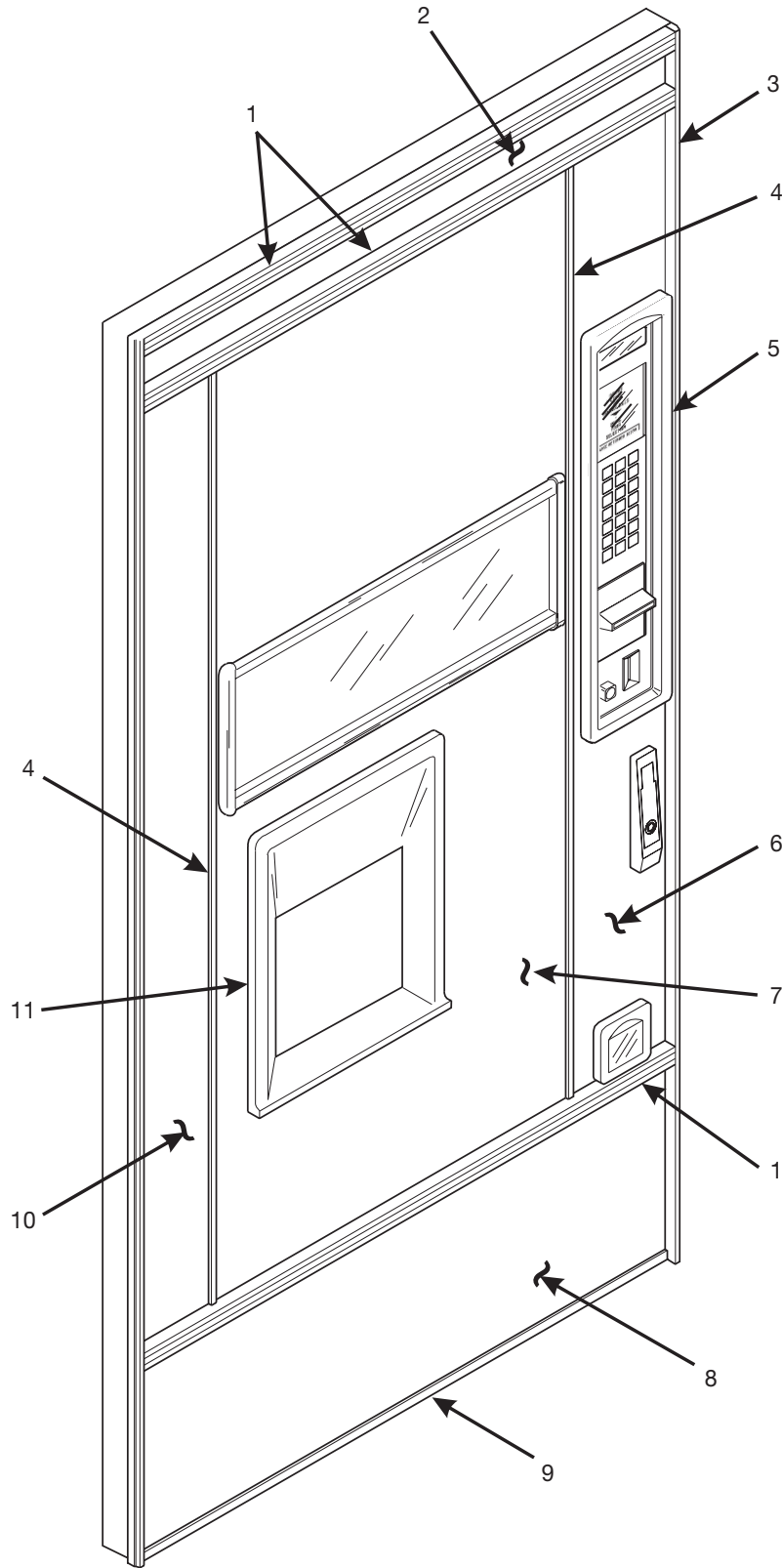


630p0002

FIGURE 2: DOOR ASSEMBLY - EXTERIOR

TABLE 2: DOOR ASSEMBLY - EXTERIOR

INDEX	PART NUMBER	DESCRIPTION	QTY.
1	1575106	CASTING - MONETARY FRAME - BLACK	1
2	6272001	LABEL - CAUTION - HOT DRINK	1
3	--	DOOR LOCK MECHANISM (SEE TABLE 9 FOR DETAILS)	1
4	--	COIN RECEPTACLE ASSEMBLY (SEE TABLE 11 FOR DETAILS)	1
5	3152045	FRAME - CUP DELIVERY DOOR	1
6	--	DISPLAY ASSEMBLY (SEE TABLE 6 FOR DETAILS)	1
7	6342069	DISPLAY PHOTO - P.O.P.	1
--	--	GPL TRIM (SEE TABLE 3 FOR DETAILS)	--
--	--	GPL GENERATION TRIM (SEE TABLE 4 FOR DETAILS)	--

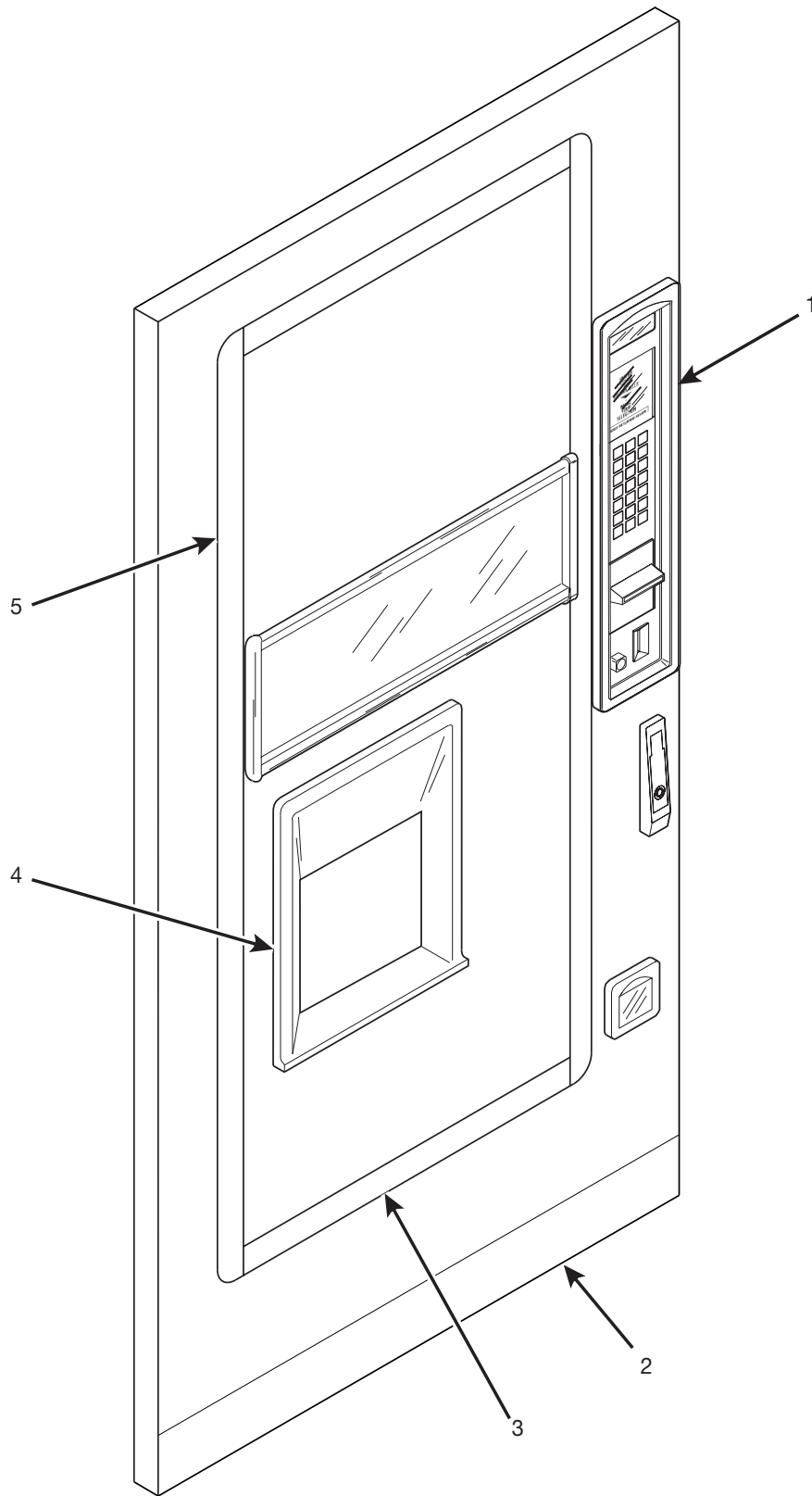


630p0065

FIGURE 3: GPL TRIM

TABLE 3: GPL TRIM

INDEX	PART NUMBER	DESCRIPTION	QTY.
1	1602016	TRIM - DOOR - HORIZONTAL - BLACK	1
	1602030	TRIM - DOOR - HORIZONTAL - CLEAR	
	1602028	TRIM - DOOR - HORIZONTAL - SPECIAL COLOR	
2	1602004	PANEL - TOP TRIM - FLAT T BLACK	1
	1602080	PANEL - TOP TRIM - NV BLACK	
	1602071	PANEL - TOP TRIM - PEPSI	
3	1592069	TRIM - DOOR - SIDE - BLACK	2
	1592032	TRIM - DOOR - SIDE - CLEAR	
4	1592068	TRIM - DOOR - INSIDE - BLACK	2
	1592031	TRIM - DOOR - INSIDE - CLEAR	
5	1575106	CASTING - MONETARY FRAME - BLACK	1
6	1592044	PANEL - RIGHT HAND TRIM - FLAT "T" BLACK	1
	1592035	PANEL - RIGHT HAND TRIM - SPECIAL COLOR	
	1592096	PANEL - RIGHT HAND TRIM - PEPSI	
	1572276	PANEL - RIGHT HAND TRIM - N.V. BLACK	
7	6392028	CENTER TRIM PANEL ASSEMBLY	1
	6342086	CENTER TRIM PANEL ASSEMBLY	
	6382011	CENTER TRIM PANEL ASSEMBLY - FLAT T BLACK	
	6382007	CENTER TRIM PANEL ASSEMBLY - NV BLACK	
	6342068	CENTER TRIM PANEL ASSEMBLY - T GRAY	
8	1602041	PANEL - LOWER - FLAT "T" BLACK	1
	1582111	PANEL - LOWER TRIM - N.V.BLACK	
	1602072	PANEL - LOWER TRIM - PEPSI	
	1602035	PANEL - LOWER TRIM - 32"	
9	1482003	EDGE PROTECTOR	1
10	1592045	PANEL - LEFT HAND TRIM - FLAT "T" BLACK	1
	1592097	PANEL - LEFT HAND TRIM - PEPSI	
	1572279	PANEL - LEFT HAND TRIM - N.V.BLACK	
	1592036	PANEL - LEFT HAND TRIM - SPECIAL COLOR	
11	3152045	FRAME - DELIVERY DOOR	1



630p0068

FIGURE 4: GENERATION TRIM

TABLE 4: GENERATION TRIM

INDEX	PART NUMBER	DESCRIPTION	QTY.
1	1575106	CASTING - MONETARY FRAME - BLACK	1
2	1602049	DECAL - TRIM - HORIZONTAL - BOTTOM	1
3	1602048	DECAL - TRIM - HORIZONTAL - TOP	2
4	3152045	FRAME - DELIVERY DOOR	1
5	1592063	DECAL - TRIM - VERTICAL	2

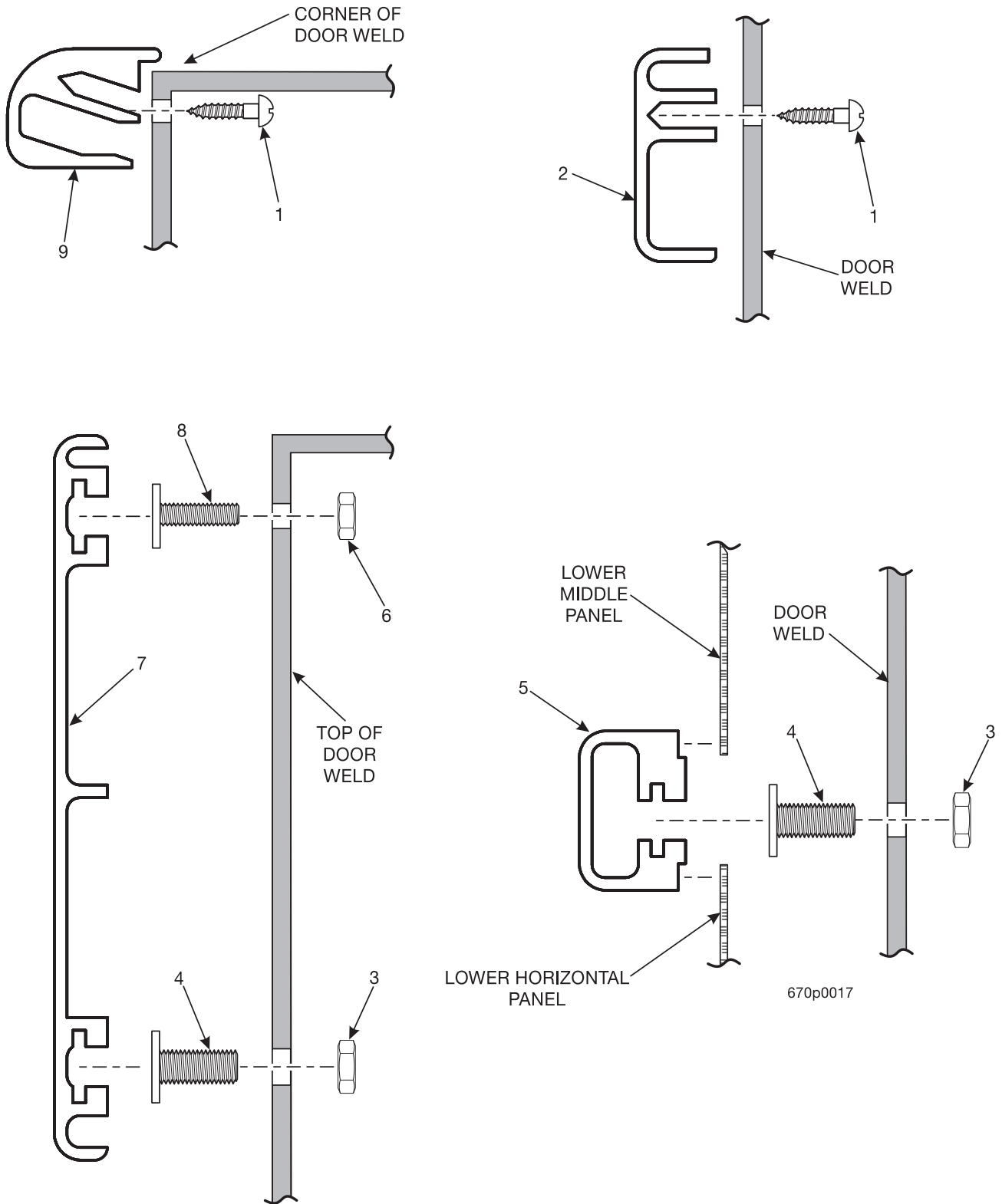
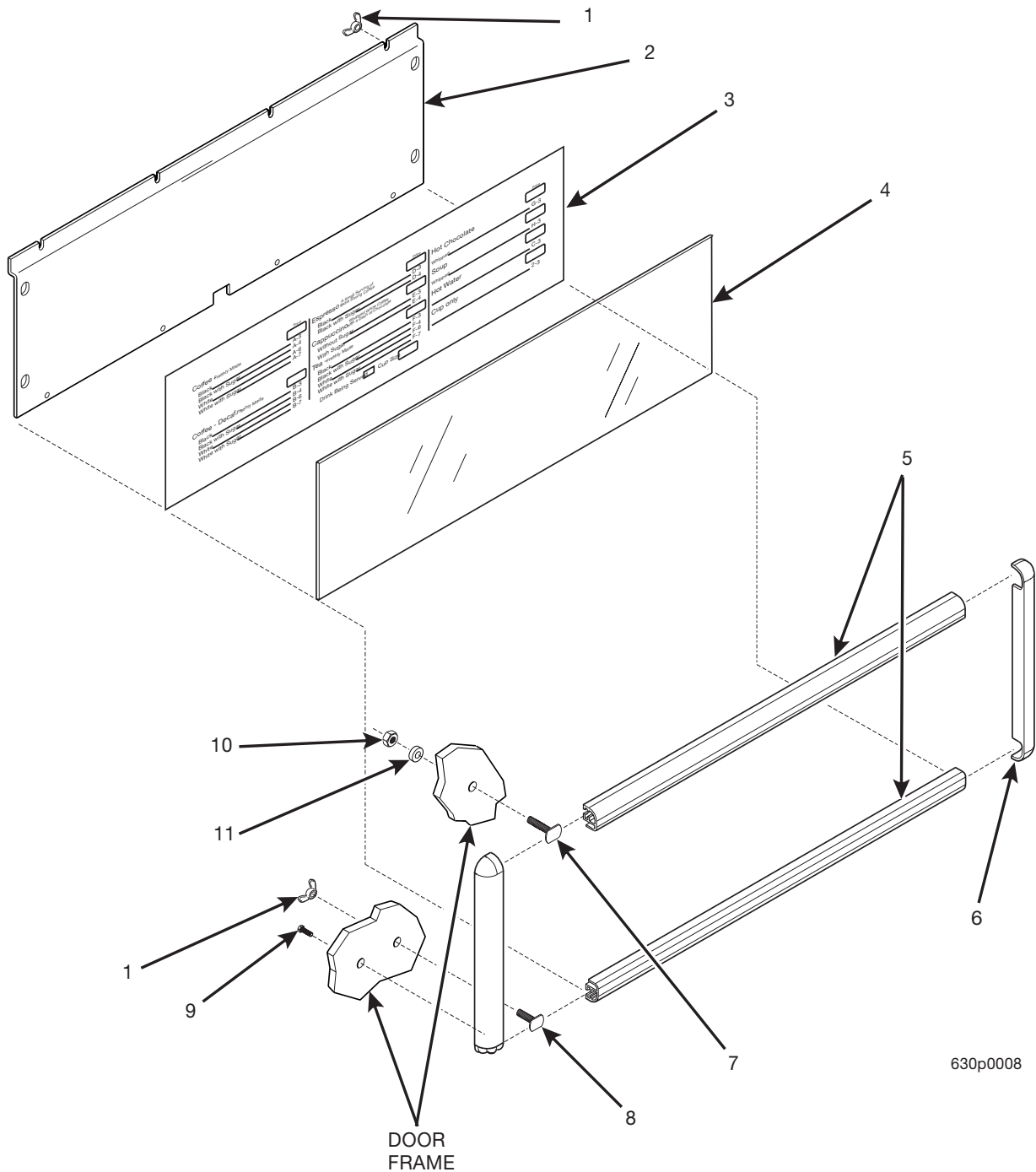


FIGURE 5: TRIM AND PANELS

TABLE 5: TRIM AND PANELS

INDEX	PART NUMBER	DESCRIPTION	QTY.
1	G1472028	SCREW - #6 X .38 SHEET METAL	44
2	1592068	TRIM - DOOR - INSIDE - BLACK	2
	1592031	TRIM - DOOR - INSIDE - CLEAR	
3	9900081	NUT #8-32 KEPS ZINC PLATE	13
4	2222110	T BOLT - TRIM	13
5	1602016	TRIM - DOOR - HORIZONTAL - BLACK	1
	1602030	TRIM - DOOR - HORIZONTAL - CLEAR	
6	9900078	NUT #6-32 KEPS ZINC PLATE	4
7	1602004	PANEL - TOP TRIM - FLAT T BLACK	1
	1602080	PANEL - TOP TRIM - NV BLACK	
	1602071	PANEL - TOP TRIM - PEPSI	
8	1572060	TEE BOLT - TRIM - #6-32 X 3/8	4
9	1592069	TRIM - DOOR - SIDE - BLACK	2
	1592032	TRIM - DOOR - SIDE - CLEAR	

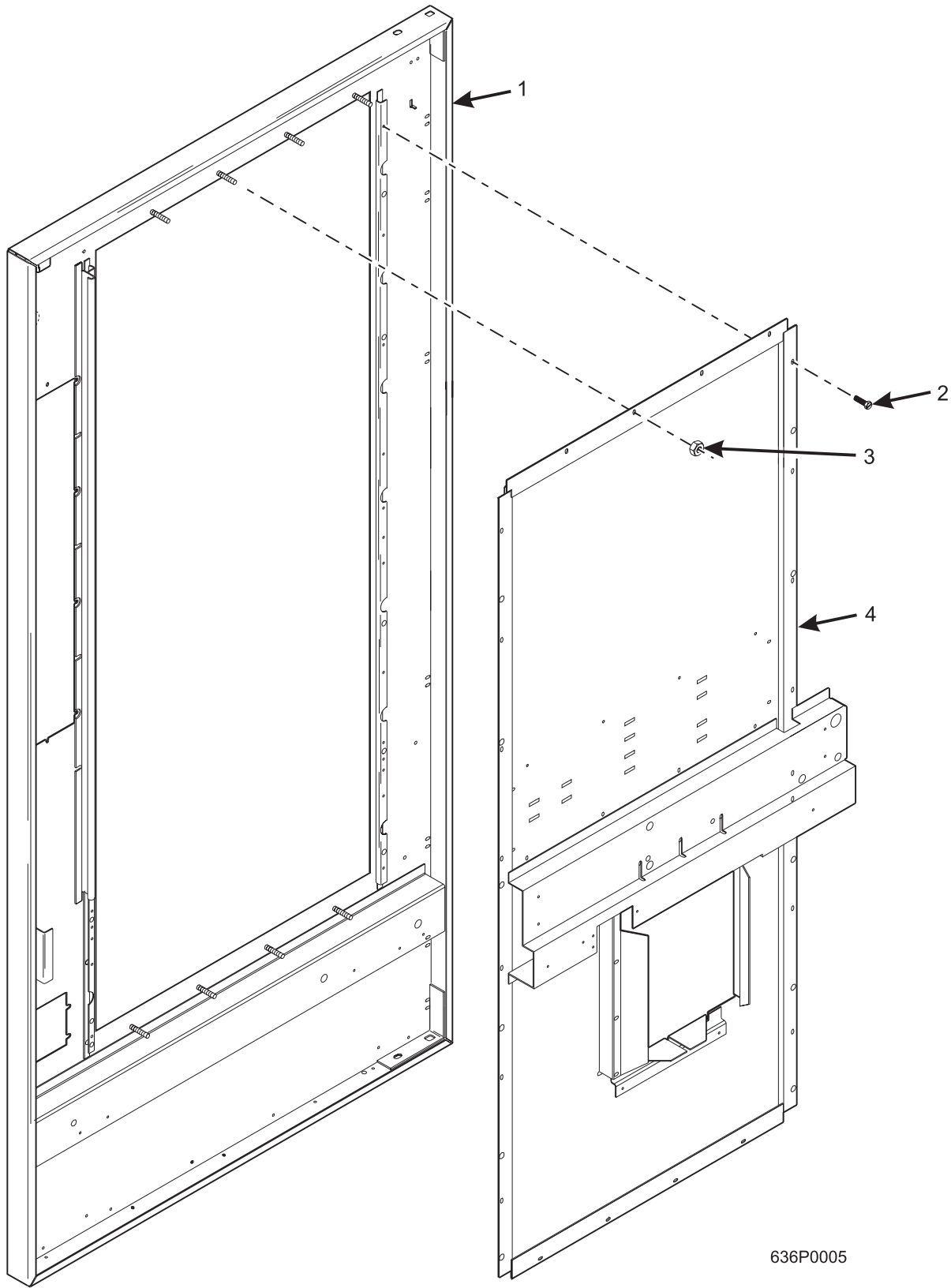


630p0008

FIGURE 6: DISPLAY ASSEMBLY

TABLE 6: DISPLAY ASSEMBLY

INDEX	PART NUMBER	DESCRIPTION	QTY.
1	9900031	WING NUT - #8-32 FORGED ZINC	4
2	6342079	PLATE - BACKING	1
3	6702002	LABEL - MENU - GPL	1
4	6342082	COVER - MENU INSERT - THICK	1
5	6342081	TRIM - SELECT INSERT	2
6	G6262033	END CAP - MENU BOARD	2
7	2222110	T-BOLT - TRIM	4
8	2222031	T-BOLT - TRIM	4
9	4277042	SCREW - #8-10 X .5 T/F - PHS	4
10	9900081	NUT - #8-32 KEPS ZINC PLATE	8
11	4407042	SPACER - .38 ODX.171IDX12LG	4



636P0005

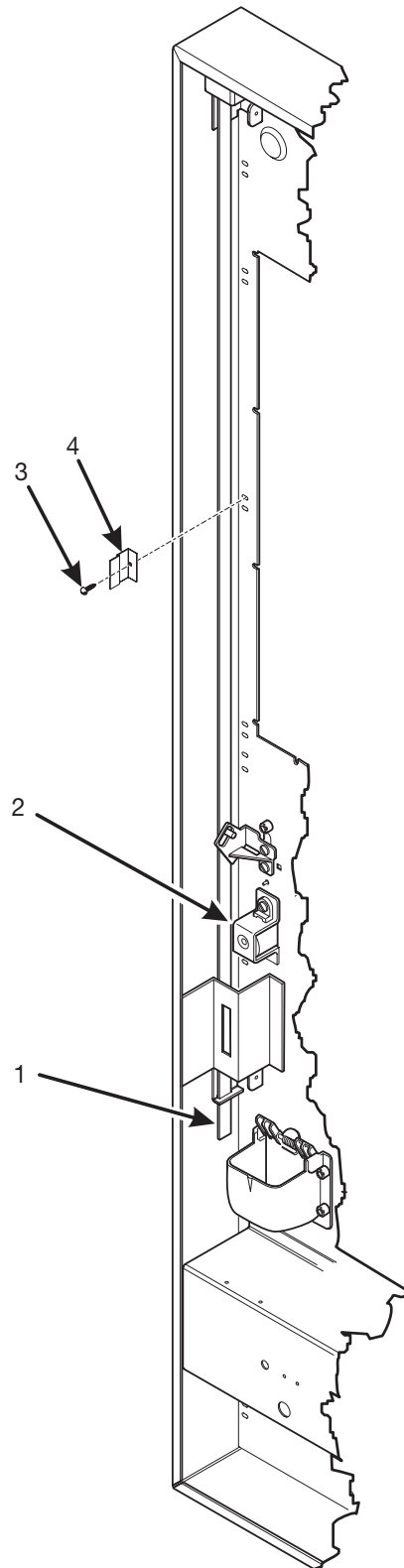
FIGURE 7: DOOR ASSEMBLY - INTERIOR

TABLE 7: DOOR ASSEMBLY - INTERIOR

INDEX	PART NUMBER	DESCRIPTION	QTY.
--	6302001	DOOR ASSEMBLY - COMMON - STANDARD	1
	6302002	DOOR ASSEMBLY - COMMON - GENERATION (NOT SHOWN)	
1	1602070	WELD ASSEMBLY - DOOR	1
	1582069	WELD ASSEMBLY - DOOR - N.V.BLACK	
2	1451097	SCREW - #8-32X.31 HEX HD.TF-BLK.	--
3	9900081	NUT #8-32 KEPS ZINC PLATE	--
4	6392028	PANEL ASSEMBLY - CENTER TRIM	1

TABLE 8: BAG ASSEMBLY B6700000

PART NUMBER	DESCRIPTION	QTY.
1300018	BAG - PLASTIC	1
6232080	LABEL - PRICECUP SIZEBLANK	1
6237117	REMOVAL TOOL - IMPELLER	1
6342012	LABEL - COF/TEA - ENGLISH	1
6700001	OPERATORS GUIDE	1
6702003	LABEL - COVER - UP - GPL - ENGLISH	1
6709000	LIST - HARNESS	1
6732083	LABEL - DRINK FLAVORS #1	1
6732084	LABEL - DRINK FLAVORS #2	1

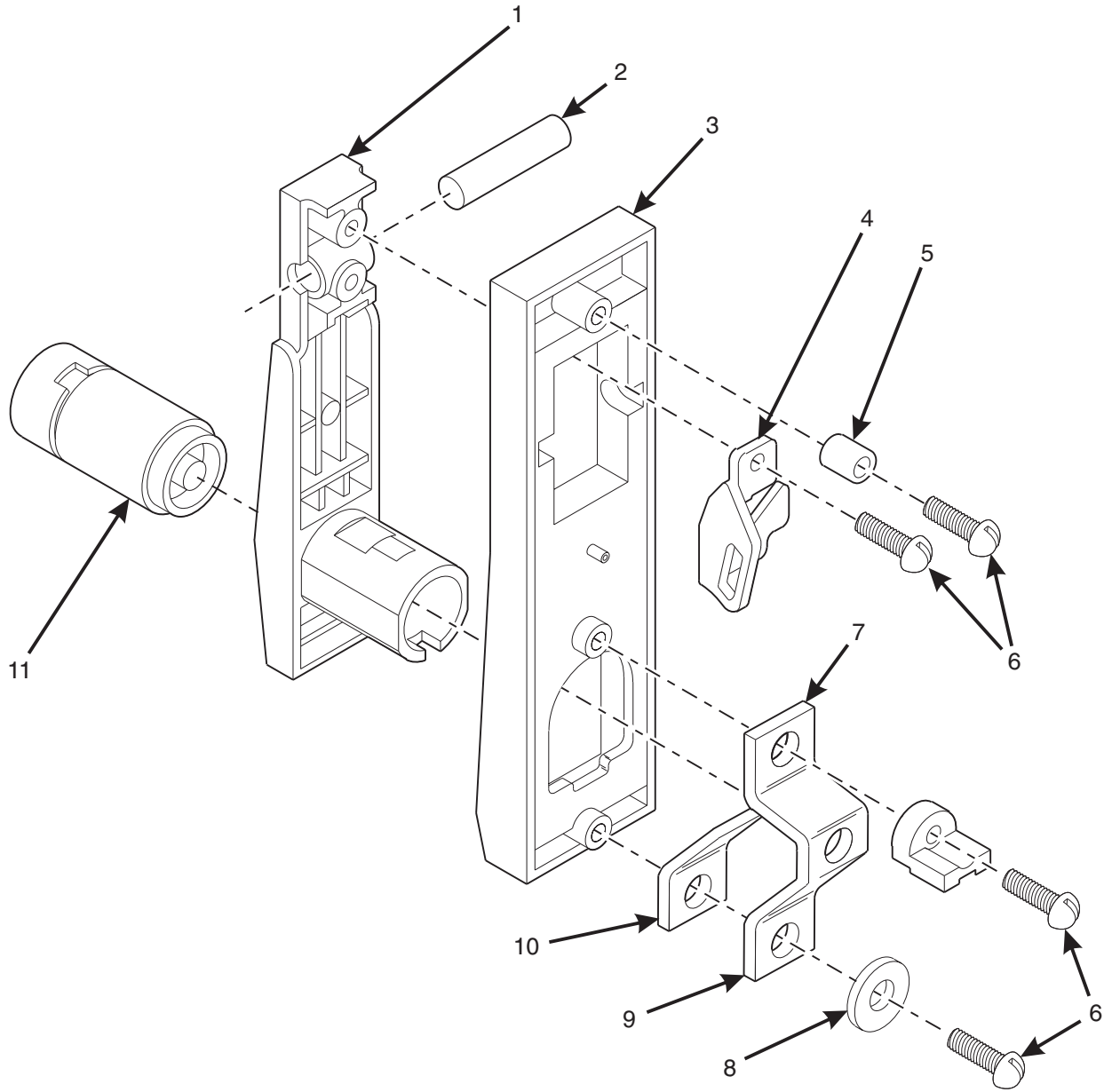


630P0032

FIGURE 9: DOOR LOCK MECHANISM

TABLE 9: DOOR LOCK MECHANISM

INDEX	PART NUMBER	DESCRIPTION	QTY.
1	1472178	LOCKBAR ASSEMBLY	1
2	--	DOOR LOCK AND HANDLE ASSEMBLY (SEE TABLE 10 FOR DETAILS)	1
3	9900203	SCREW - #8-32 X .31 HEX HD	2
4	1472250	GUIDE - LOCK BAR	1
	1592056	GUIDE - LOCK BAR	
	1572026	GUIDE - LOCK BAR - TOP	
	1572031	GUIDE - LOCK BAR - BOTTOM	

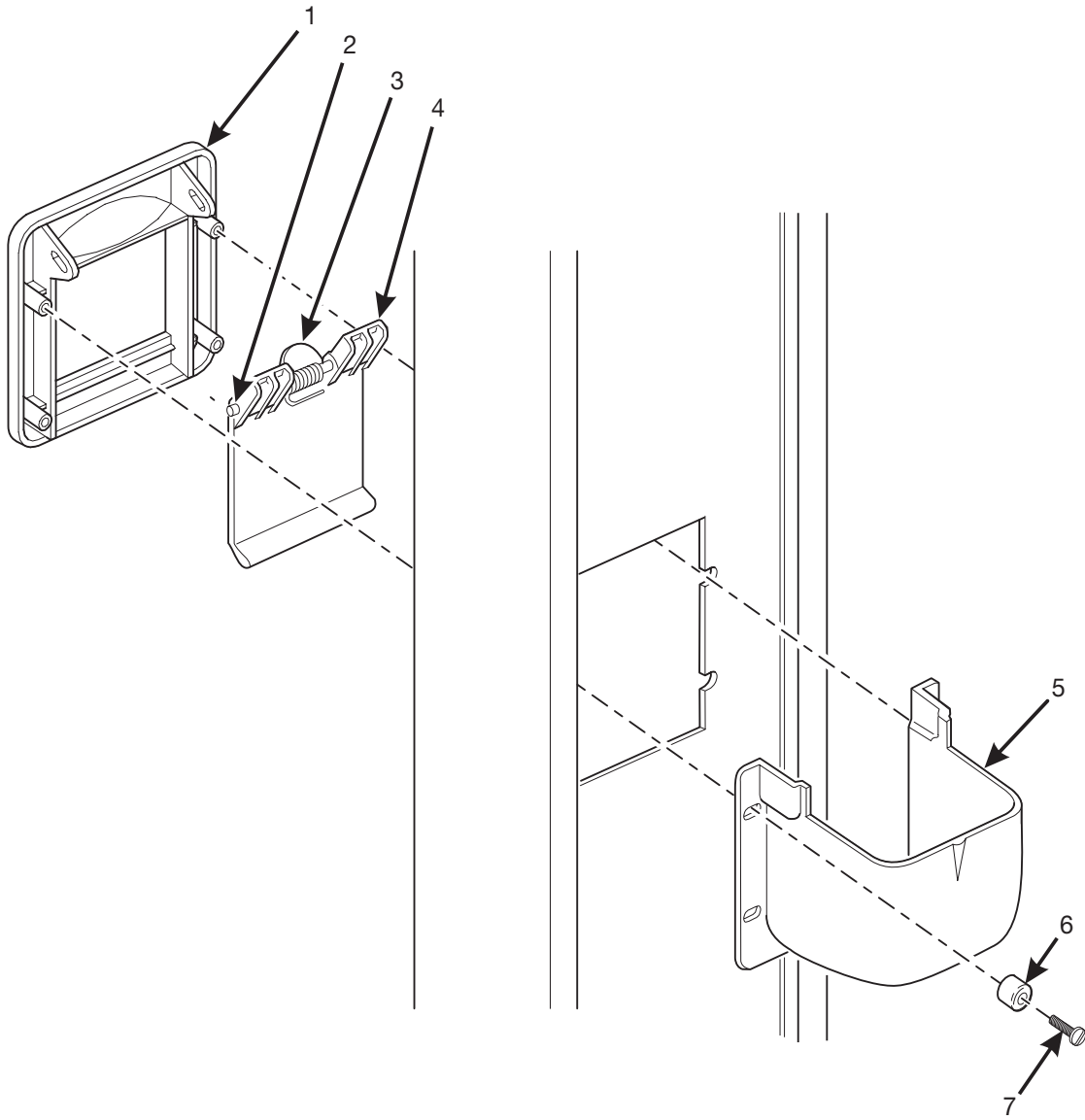


630P0033

FIGURE 10: DOOR LOCK AND HANDLE ASSEMBLY

TABLE 10: DOOR LOCK AND HANDLE ASSEMBLY

INDEX	PART NUMBER	DESCRIPTION	QTY.
1	1172190	LEVER - LOCK	1
2	1302291	PIVOT - LEVER LOCK	1
3	1172191	BASE - LEVER LOCK	1
4	2272052	ACTUATOR ASSEMBLY - LOCK BAR	1
5	1302289	CUP SPACER	2
6	9900170	SCREW - #10-32 X 1/2"PHIL.PAN HD W/L.W.	5
7	1302326	SHIELD - LATCH	1
8	9900121	WASHER - STEEL - 7/16 X .203 X .032	1
9	1302324	CATCH - DOOR LATCH	1
10	1302290	LATCH - LOCK LOWER	1
11	9992400	CYLINDER - LOCK	1
	3112163	CYLINDER - VAN LOCK	(OPT)
--	3112164	KEY (NOT SHOWN) VAN LOCK APPLICATION (NOT SHOWN)	1 (OPT)

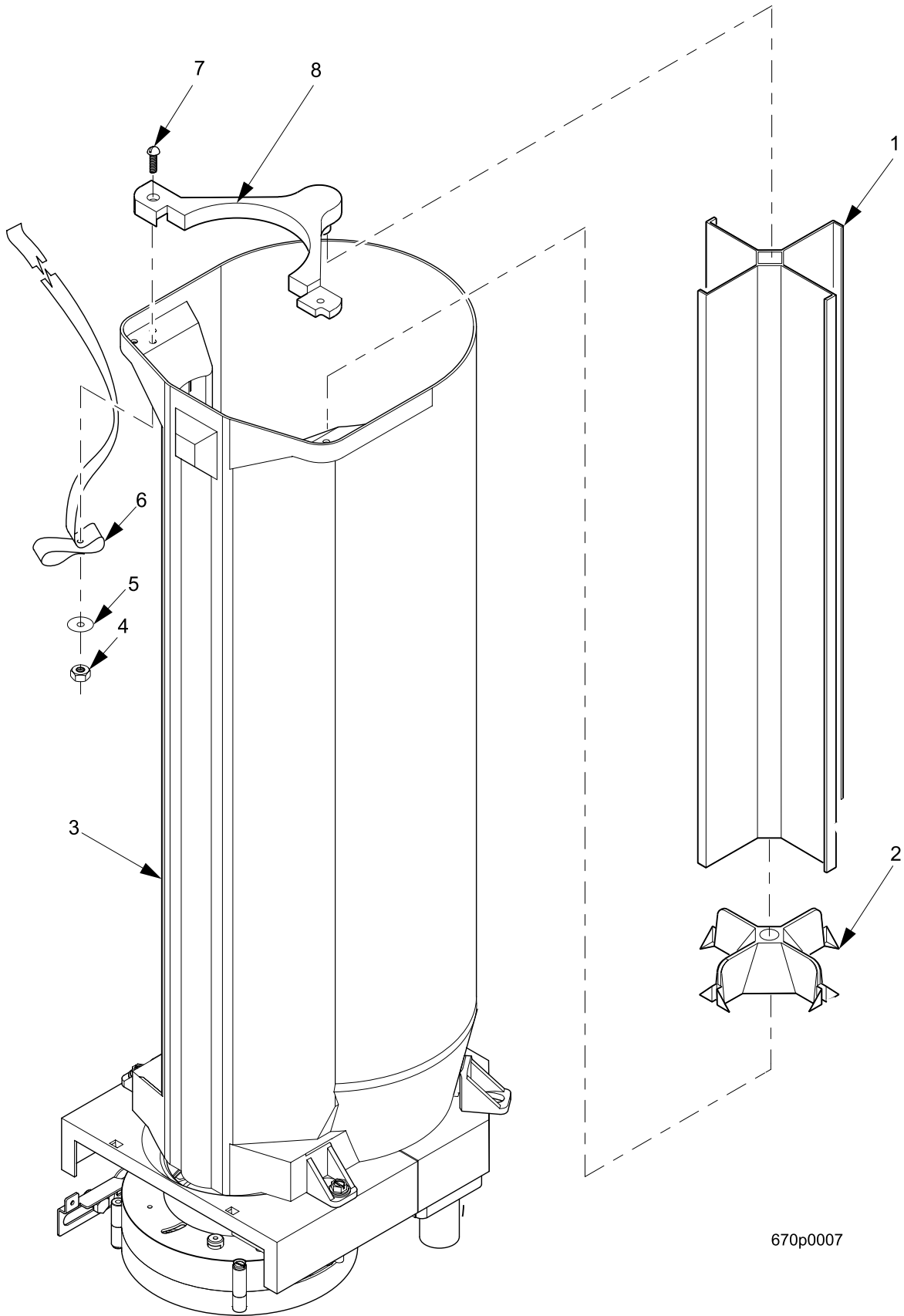


630P0031

FIGURE 11: COIN RECEPTACLE ASSEMBLY

TABLE 11: COIN RECEPTACLE ASSEMBLY

INDEX	PART NUMBER	DESCRIPTION	QTY.
--	1672080	GATE & TRIM ASSEMBLY COIN RETURN (INCLUDES INDEX 1-4)	--
1	1572011	TRIM - COIN RECEPTACLE	1
2	4245084	SHAFT - DOOR - COIN RETURN	1
3	4245083	SPRING - COIN RETURN DOOR	1
4	4245082	GATE - COIN RETURN	1
5	1572010	CUP - COIN RETURN	1
6	2302053	SPACER - CUP	4
7	9900160	SCREW - #8-18 X 1/2"PHIL.PAN HD.	4

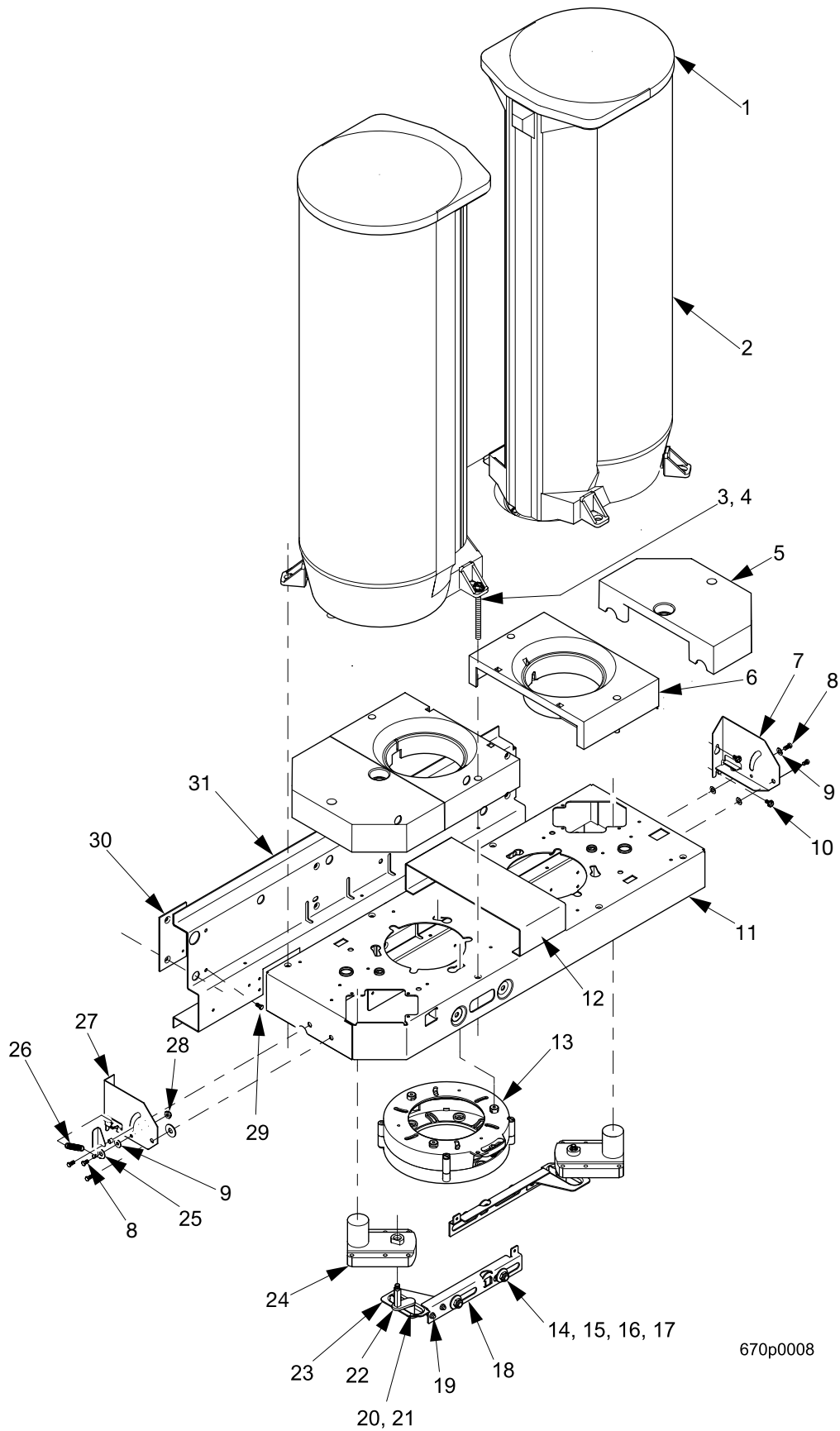


670p0007

FIGURE 12: TURRET AND CANISTER ASSEMBLY - 4 COLUMN

TABLE 12: TURRET AND CANISTER ASSEMBLY - 4 COLUMN

INDEX	PART NUMBER	DESCRIPTION	QTY.
--	6703002	TURRET & CANISTER ASSEMBLY - 4 COLUMN - 1	1
--	6703003	TURRET & CANISTER ASSEMBLY - 4 COLUMN - 2	1
1	6233061	TURRET - CENTER	2
2	6233048	BASE - TURRET	2
3	6233109	TURRET ASSEMBLY 1B	2
4	9900081	NUT #8-32 KEPS ZINC PLATE	2
5	6138181	WASHER PLATE	2
6	6333003	STRAP - CANISTER	2
7	9900115	SCREW - #8-32 X 3/4 RHS	2
8	6233030	BEARING - TURRET TOP	2



670p0008

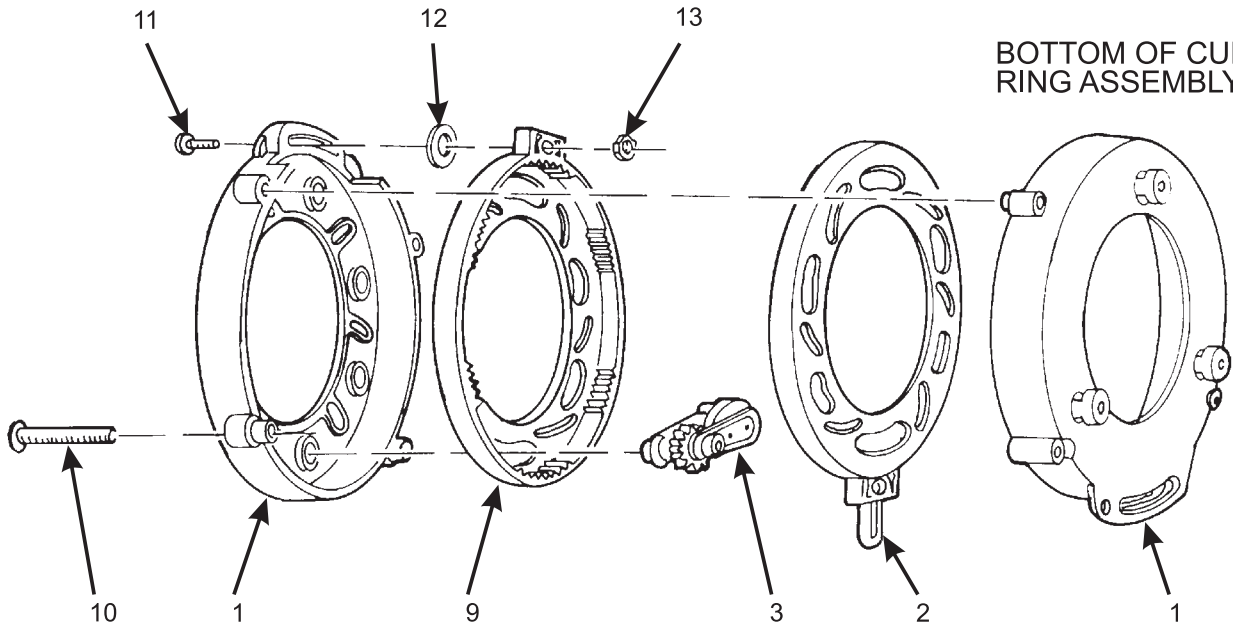
FIGURE 13: CANISTER ASSEMBLY

TABLE 13: CANISTER ASSEMBLY

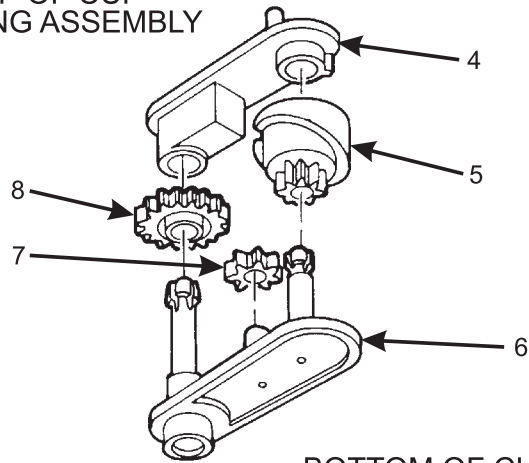
INDEX	PART NUMBER	DESCRIPTION	QTY
1	6333016	LID - CANISTER - 4 COLUMN	2
2	6333015	CANISTER - CUP - 4 COLUMN	2
3	6233077	BOLT - #1/4X20X2.38 HHS	6
4	6131066	WASHER 5/8X.265X.048 ZINC/YEL	6
5	6233010	COVER - END	2
6	6233007	FUNNEL - 3.25 CUP DIAMETER	2
7	6233019	BRACKET - MECHANISM MOUNTING - LEFT	1
8	6233021	SCREW - 1/4 X 20 X .5 HEX HD	2
9	6233028	BUSHING	2
10	6262021	SCREW - 1/4-20 T/TITE X .50HHS	4
11	6701003	PLATE - BASE - CUP MECHANISM	1
12	6701005	COVER - WIRE - CENTER	1
13	6333008	CUP RING ASSEMBLY - UNIVERSAL (SEE TABLE 14 FOR DETAILS)	2
14	6233021	SCREW - 1/4 X 20 X .5 HEX HD	4
15	4041241	NUT - 1/4-20-SELF LOCKING	4
16	6233028	BUSHING	4
17	6404034	WASHER - .687 O.D. X .265 I.D. X .050	4
18	6233032	ACTUATOR - CUP RING	2
19	1451097	SCREW - #8-32X.31 HEX HD.TF-BLK.	4
--	6233058	CRANK ARM & ROLLER ASSEMBLY (INCLUDES INDEX 20-22)	--
20	1479063	ROLLER - DRIVE ARM	2
21	9900121	WASHER STEEL 7/16 X.203 X.032	2
22	6233036	CRANK ARM - CUP RING	2
23	3283058	CAM - ACTUATOR	2
24	1577038	MOTOR & PC BOARD ASSEMBLY	2
25	6233037	LATCH	1
26	2301057	SPRING ELEVATOR STOP	1
27	6233018	BRACKET - MECHANISM MOUNTING - RIGHT	1
28	4041241	NUT - 1/4-20 - SELF LOCKING	2
29	1451097	SCREW - #8 - 32X.31 HEX HD.TF - BLACK.	2
30	6701004	RETAINER - CUP MECHANISM	1
31	6392024	CHANNEL - CUP MECHANISM (REFERENCE ITEM)	--

TOP OF CUP RING ASSEMBLY

BOTTOM OF CUP RING ASSEMBLY



TOP OF CUP RING ASSEMBLY



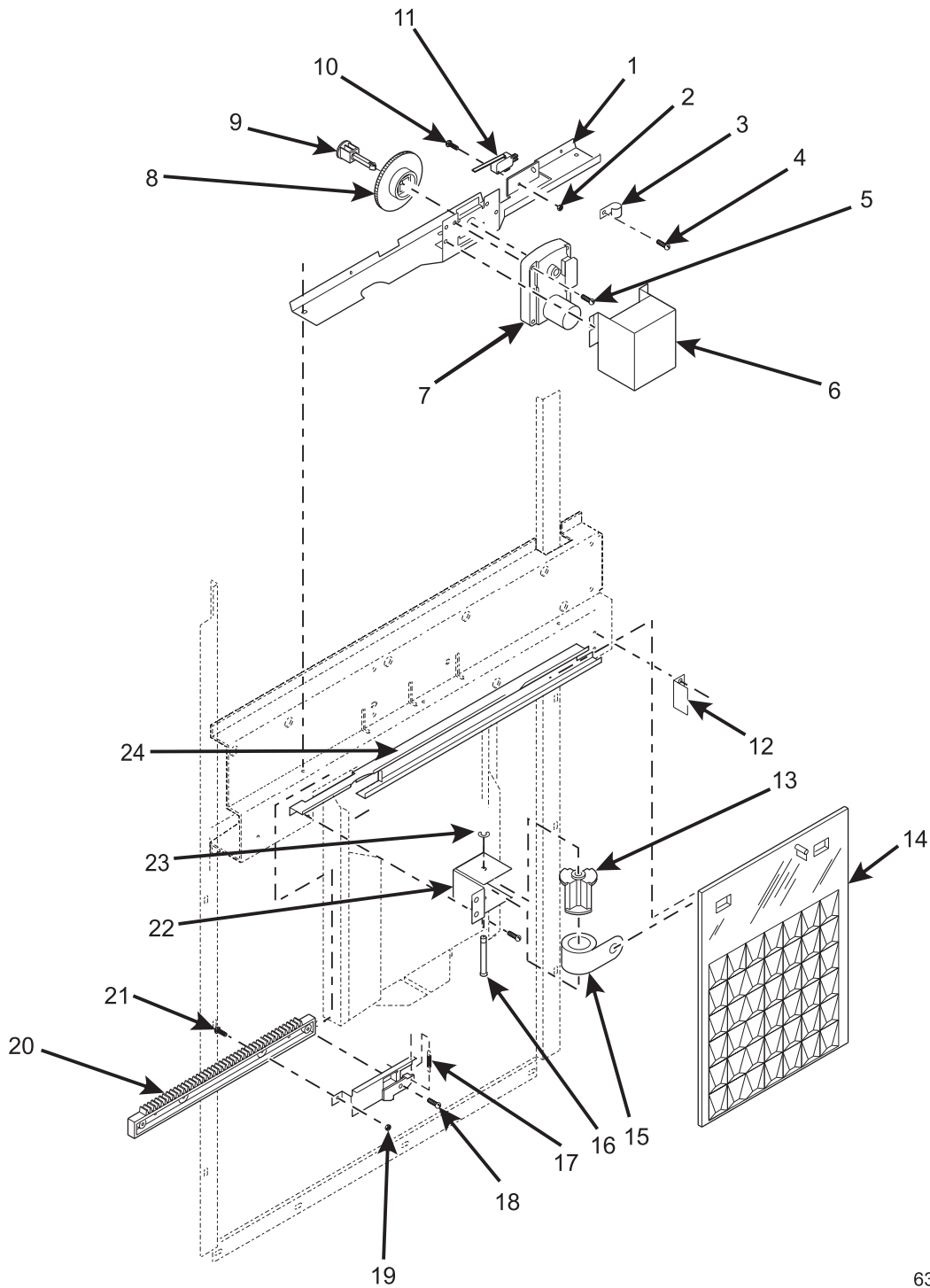
BOTTOM OF CUP RING ASSEMBLY

630p0034

FIGURE 14: CUP RING ASSEMBLY

TABLE 14: CUP RING ASSEMBLY

INDEX	PART NUMBER	DESCRIPTION	QTY.
--	6333008	CUP RING ASSEMBLY - UNIVERSAL	1
1	6333009	HOUSING - CUP RING	2
	6333004	HOUSING - CUP RING	
2	6333010	GEAR RING - INTERNAL	1
3	6333007	CAM AND GEAR ASSEMBLY (INCLUDES INDEX NUMBERS 4 - 8)	6
4	6333006	RETAINER - CAM	1
5	6333012	CAM - CUP - UNIVERSAL	1
6	6333005	ARM - CAM	1
7	6233127	GEAR - 10 TOOTH	1
8	6233126	GEAR - 18 TOOTH	1
9	6333011	ADJUSTER RING - INTERNAL	1
10	6332052	SCREW - #8-16 X 1.12 PHS	4
11	3143009	SCREW - #8-32 X .50 PHS	1
12	6114121	WASHER ROLLER	1
13	6333020	NUT - #8-32 SELF LOCKING	1

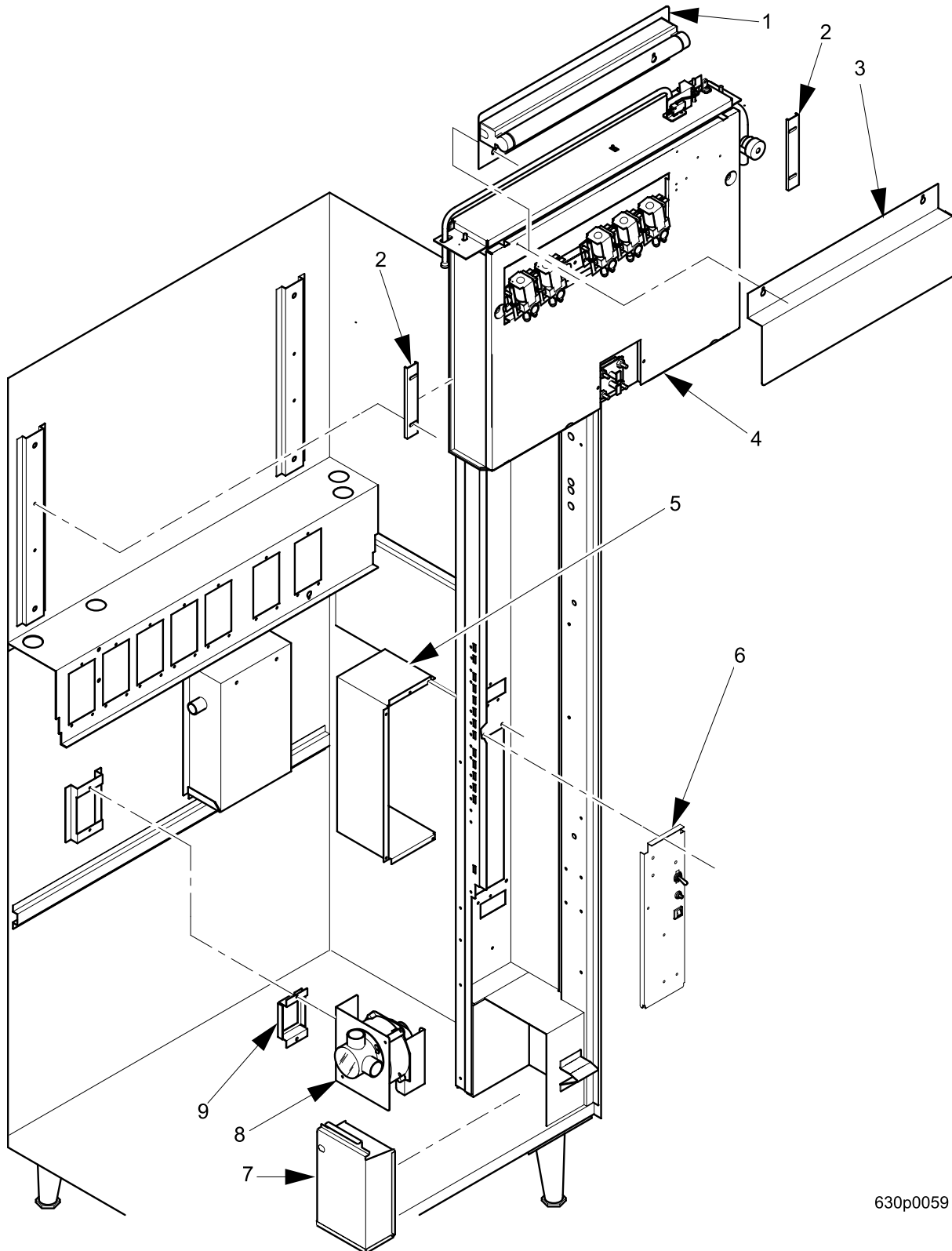


630p0071

FIGURE 15: AUTOMATIC DELIVERY DOOR

TABLE 15: AUTOMATIC DELIVERY DOOR

INDEX	PART NUMBER	DESCRIPTION	QTY.
--	6732064	MOTOR & BRACKET ASSEMBLY - VEND DOOR (INCLUDES INDEX NUMBERS 1-11)	--
1	6732059	BRACKET - AUTO DOOR	1
2	1217160	SCREW - #4-40 KEPS W/EXT	2
3	2342315	CLIP - WIRE HARNESS	1
4	9900157	SCREW #8-32 X 7/32 HWHD TY23	4
5	1457027	SCREW 8-32 X .81 HHSI TAPTITE	2
6	6232263	COVER - MOTOR - VEND DOOR	1
7	1577038	MOTOR AND PCB ASSEMBLY	1
8	1477020	GEAR - TRAY	1
9	1477113	COUPLING - SPIRAL	1
10	1217159	SCREW - #4-40 KEPS W/EXT L/WAS	2
11	5220108	SWITCH	1
--	6232118	HOUSING & SPRING ASSEMBLY - VEND DOOR (INCLUDES INDEX NUMBERS 12 13 15 16 22 23)	--
12	6232096	STOP - DOOR VEND	1
13	6232084	SPOOL - SPRING	1
14	6232065	DOOR - VEND	1
15	6232091	SPRING - VEND DOOR	1
16	6232085	SHAFT - SPOOL	1
--	6732065	RACK ASSEMBLY - VEND DOOR (INCLUDES INDEX NUMBERS 17-21)	--
17	3108141	SPRING COVER AIR GAP	1
18	6232317	SCREW - #8-32 X 1/2 RHS MACH	1
19	9900081	NUT - #8-32 KEPS ZINC PLATE	2
20	6234106	RACK - BREWER	1
21	2222031	TEE BOLT - TRIM	1
22	6232089	HOUSING - SPRING	1
23	9900425	RETAINING RING - REINF. E TYPE	1
24	6732060	TRACK - GEAR RACK	1

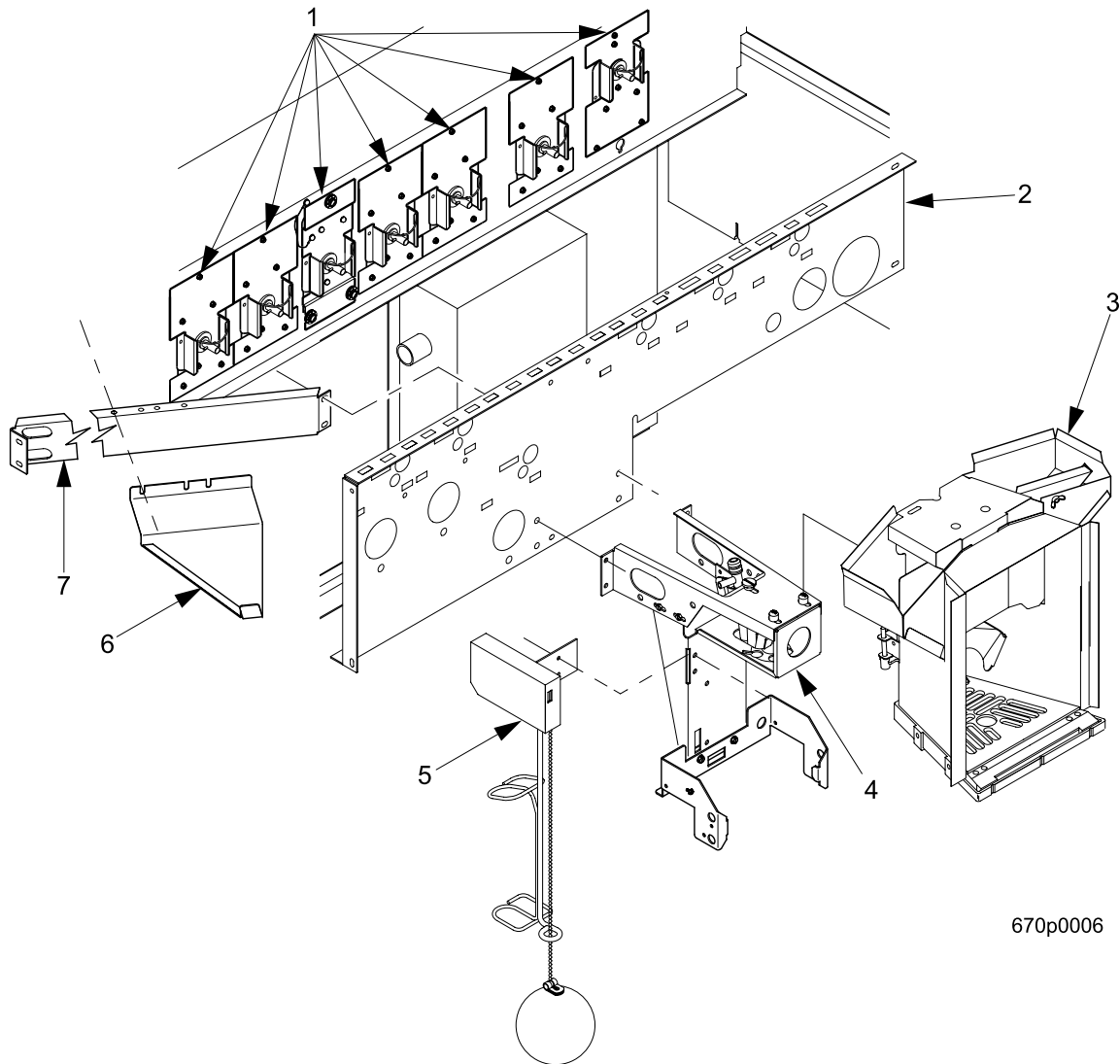


630p0059

FIGURE 16: CABINET ASSEMBLY (PART 1 OF 3)

TABLE 16: CABINET ASSEMBLY (PART 1 OF 3)

INDEX	PART NUMBER	DESCRIPTION	QTY.
--	6701000	CABINET & MECHANISM ASSEMBLY - COMMON (670)	--
	6781000	CABINET & MECHANISM ASSEMBLY - COMMON (678)	
1	6231372	SERVICE LIGHT - BRACKET ASSEMBLY - 115 V (SEE TABLE 19 FOR DETAILS)	1
2	6231036	CLAMP - WATER TANK	2
3	6338058	COVER - HOT WATER VALVES	1
4	6558007	WATER TANK ASSEMBLY (SEE TABLE 26 FOR DETAILS)	1
5	1671022	HOUSING - POWER PANEL	1
6	1701015	POWER PANEL ASSEMBLY - 115 V (SEE TABLE 70 FOR DETAILS)	1
7	1571029	MONEY BOX ASSEMBLY	1
8	6301006	BRACKET BLOWER AND COVER ASSEMBLY (SEE TABLE 25 FOR DETAILS)	1
9	1471054	BRACKET & SCREEN ASSEMBLY - EXHAUST	1
--	6231098	POWER CORD ASSEMBLY - DOMESTIC (NOT SHOWN)	1



670p0006

FIGURE 17: CABINET ASSEMBLY (PART 2 OF 3)

TABLE 17: CABINET ASSEMBLY (PART 2 OF 3)

INDEX	PART NUMBER	DESCRIPTION	QTY.
1	6237188	CANISTER MOTOR AND PLATE ASSEMBLY WITH MOUNTING HARDWARE (SEE TABLE 36 FOR DETAILS)	--
	6237184	CANISTER MOTOR AND PLATE ASSEMBLY - LIGHTENER	
	6237436	CANISTER MOTOR AND PLATE ASSEMBLY - 200 RPM	
	6237438	CANISTER MOTOR AND PLATE ASSEMBLY - COFFEE	
2	6341018	CANISTER AND SUPPORT ASSEMBLY - SINGLE FRESH BREW (SEE TABLE 35 FOR DETAILS)	1
	6341022	CANISTER SUPPORT ASSEMBLY - SINGLE FRESH BREW/ INTERNATIONAL COFFEE	
	6337057	CANISTER SUPPORT ASSEMBLY - LIGHTENER	
3	6701009	CUP DELIVERY ASSEMBLY (SEE TABLE 48 FOR DETAILS)	1
4	6551014	SUPPORT ASSEMBLY - CUP STATION (SEE TABLE 49 FOR DETAILS)	1
5	6231223	OVERFLOW SWITCH ASSEMBLY (SEE TABLE 24 FOR DETAILS)	1
6	6341027	BRACKET - TUBE RETAINER	1
7	6341007	BRACE - CANISTER SUPPORT	1

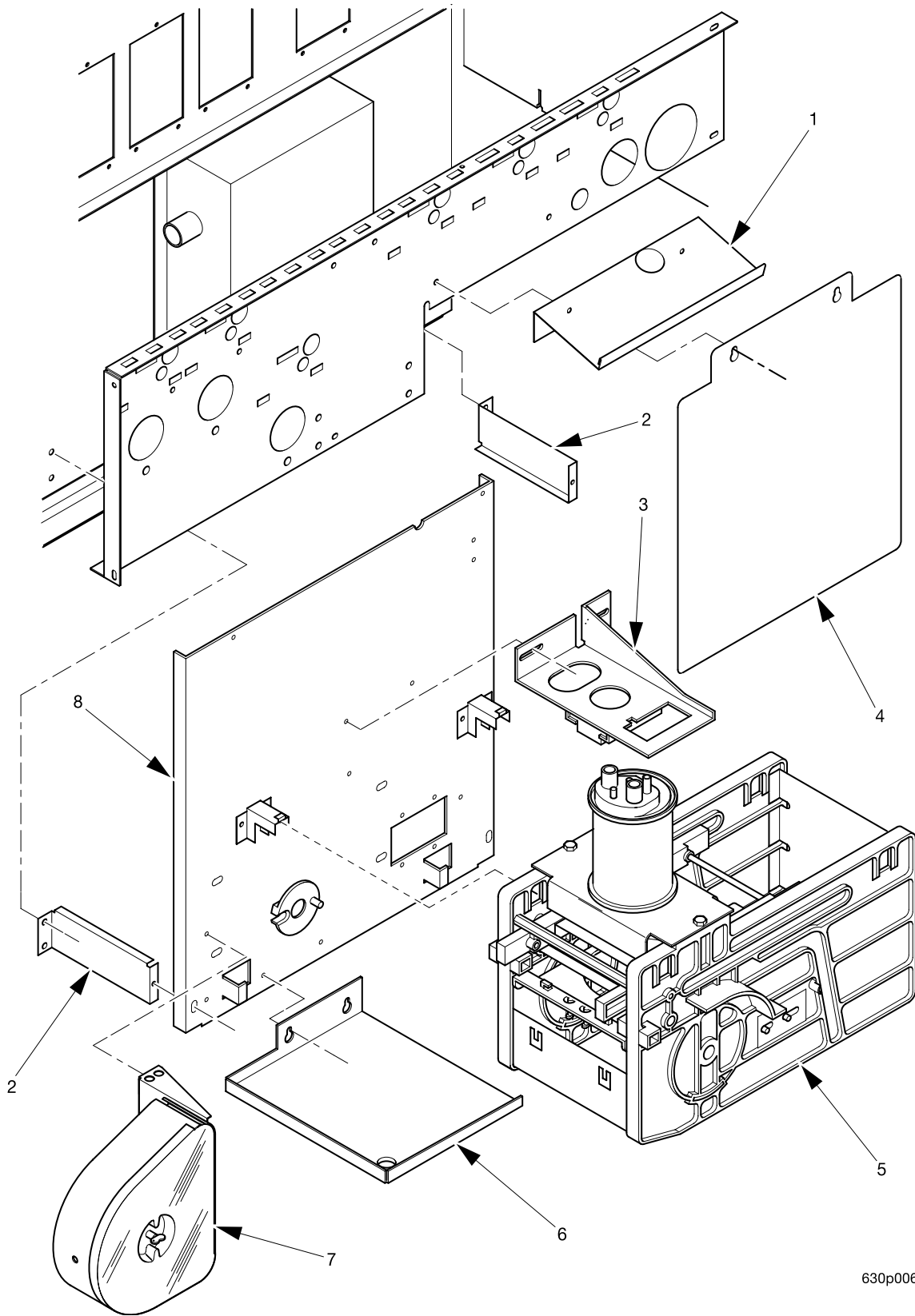


FIGURE 18: CABINET ASSEMBLY (PART 3 OF 3)

TABLE 18: CABINET ASSEMBLY (PART 3 OF 3)

INDEX	PART NUMBER	DESCRIPTION	QTY.
1	6351005	BRACKET - TUBING RETAINER	1
2	6234516	BRACKET - MOUNTING PLATE	2
3	6237352	LOCATOR AND BRACKET ASSEMBLY	1
4	6241004	COVER - BREWER	1
5	6234000	SINGLE BREWER ASSEMBLY - WITH FILTER (SEE TABLE 51 FOR DETAILS)	1
	6234010	SINGLE BREWER ASSEMBLY - WITHOUT FILTER (SEE TABLE 50 FOR DETAILS)	
6	6234524	DRAIN PAN - BREWER	1
7	6234622	PAPER ROLL ASSEMBLY - FILTER	1
8	6334005	DRIVE ASSEMBLY - BREWER (SEE TABLE 52 FOR DETAILS)	1
--	6231475	BUCKET - GROUNDS (NOT SHOWN)	1

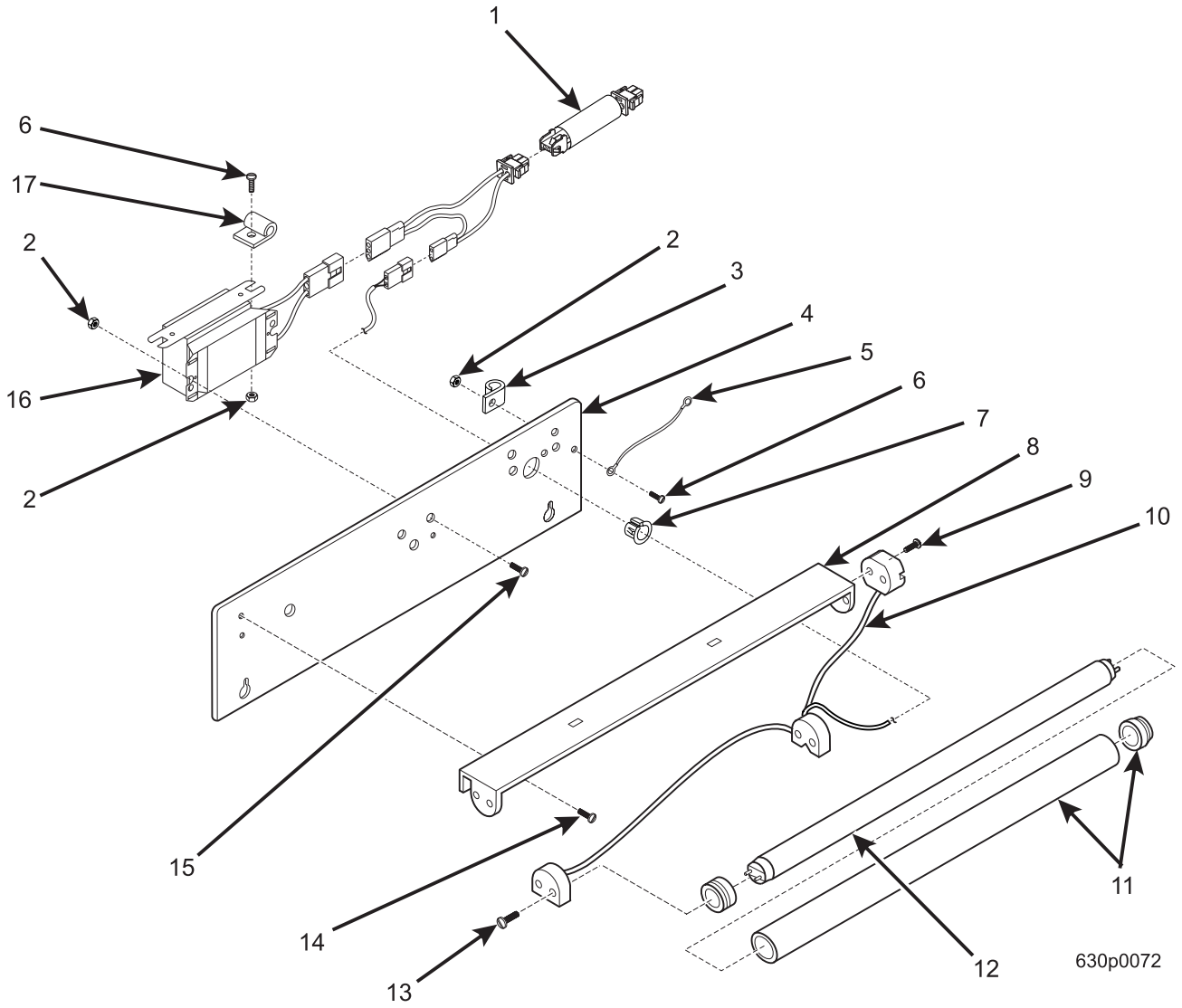
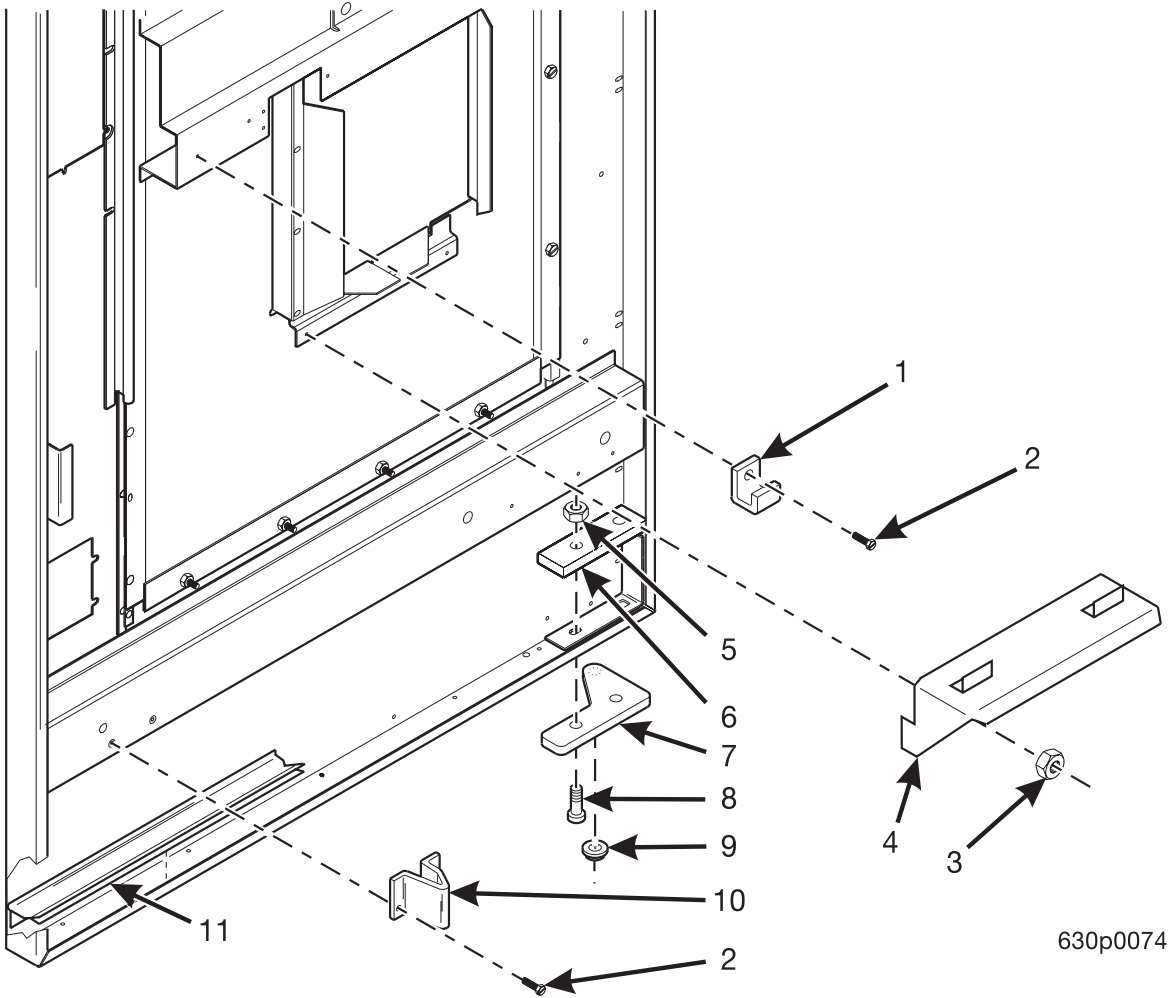


FIGURE 19: SERVICE LIGHT/BRACKET ASSEMBLY - 115 V

TABLE 19: SERVICE LIGHT/BRACKET ASSEMBLY - 115 V

INDEX	PART NUMBER	DESCRIPTION	QTY.
--	6231372	SERVICE LIGHT/BRACKET ASSEMBLY - 115 V (INCLUDES INDEX NUMBERS 3-15)	--
1	1679005	FLUORESCENT LIGHT FILTER - 120/230V	1
2	9900081	NUT - #8-32 KEPS	--
3	4305043	HARNESS CLIP	--
4	6231559	BRACKET - SERVICE LIGHT	1
5	9984094	WIRE - GROUND - 14"	1
6	3157060	SCREW - #8-32	1
7	3106154	BUSHING	1
8	2272036	BRACKET - LIGHT	1
9	3107171	SCREW - #4-36 X 5/8 RHS	2
--	6231232	LIGHT ASSEMBLY - 115 V (INCLUDES INDEX NUMBERS 10 11 13 AND 16)	--
10	2346016	HARNESS - FLUORESCENT LIGHT	1
11	6232305	SAFETY SLEEVE & END CAP ASSEMBLY	1
12	2222096	FLUORESCENT LAMP #F15T8CW KB	1
13	9900219	SCREW - #4-36 X .437 RH PHILLIPS	2
14	1170206	SCREW - #8-32 X .31 HX HD	2
15	1170206	SCREW - #8-32 X .31 HX HD	1
16	3151058	BALLAST ASSEMBLY	1
17	1452139	RETAINER - HARNESS	1

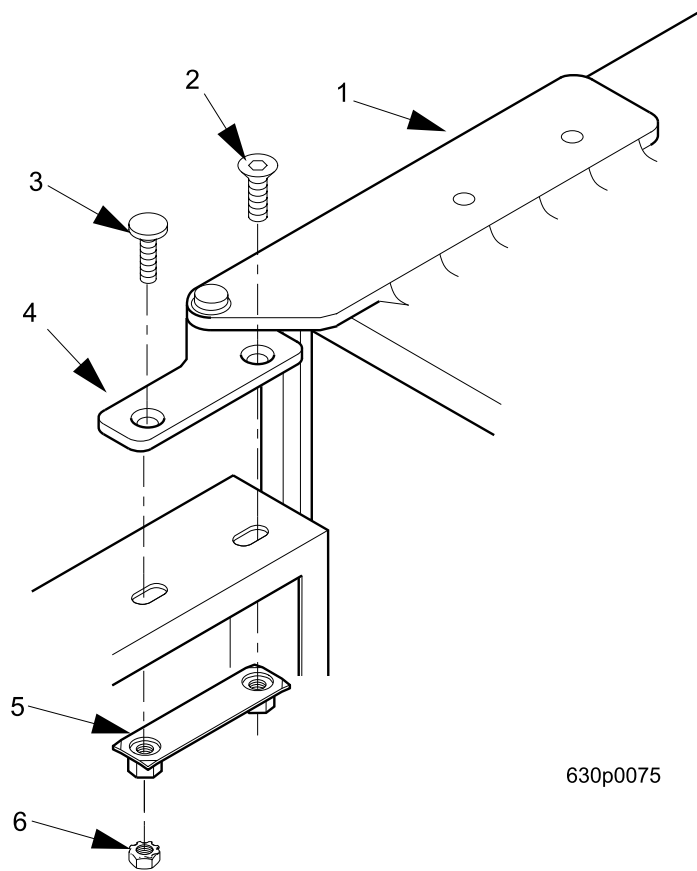


630p0074

FIGURE 20: MISCELLANEOUS MOUNTED PARTS - LOWER DOOR

TABLE 20: MISCELLANEOUS MOUNTED PARTS - LOWER DOOR

INDEX	PART NUMBER	DESCRIPTION	QTY.
1	6342040	LIFT BRACKET - CUP STATION	1
2	1451097	SCREW - HEX - #8	--
3	9900081	NUT - HEX - #8	--
4	3142138	HANGER - CUP STATION	1
5	1211105	NUT - KEPS - 1/4-20 EXT LW ZIP	2
6	6232028	PLATE ASSEMBLY - HINGE MOUNTING	1
7	6232031	HINGE ASSEMBLY - DOOR - LOWER	1
8	6232208	WELD SCREW - 1/4-20 X 1" LG	2
9	4242145	BEARING - THRUST - LOWER HINGE	1
10	6231164	BRACKET - DOOR SUPPORT	1
11	6262046	FILLER STRIP - SANITATION	1



630p0075

FIGURE 21: HINGE ASSEMBLY - UPPER

TABLE 21: HINGE ASSEMBLY - UPPER

INDEX	PART NUMBER	DESCRIPTION	QTY.
--	1571098	HINGE ASSEMBLY - UPPER	--
1	6231158	HINGE PLATE - UPPER	1
2	6232036	SCREW - 5/16-18X.75 FLT.HDSOCKET	1
3	6232208	WELD SCREW - #1/4-20 X 1"LG	1
4	6232034	PLATE - DOOR HINGE - UPPER	1
5	6232028	PLATE ASSEMBLY - HINGE MOUNTING	1
6	1211105	1/4-20 KEPS NUT EXT LW ZP	2

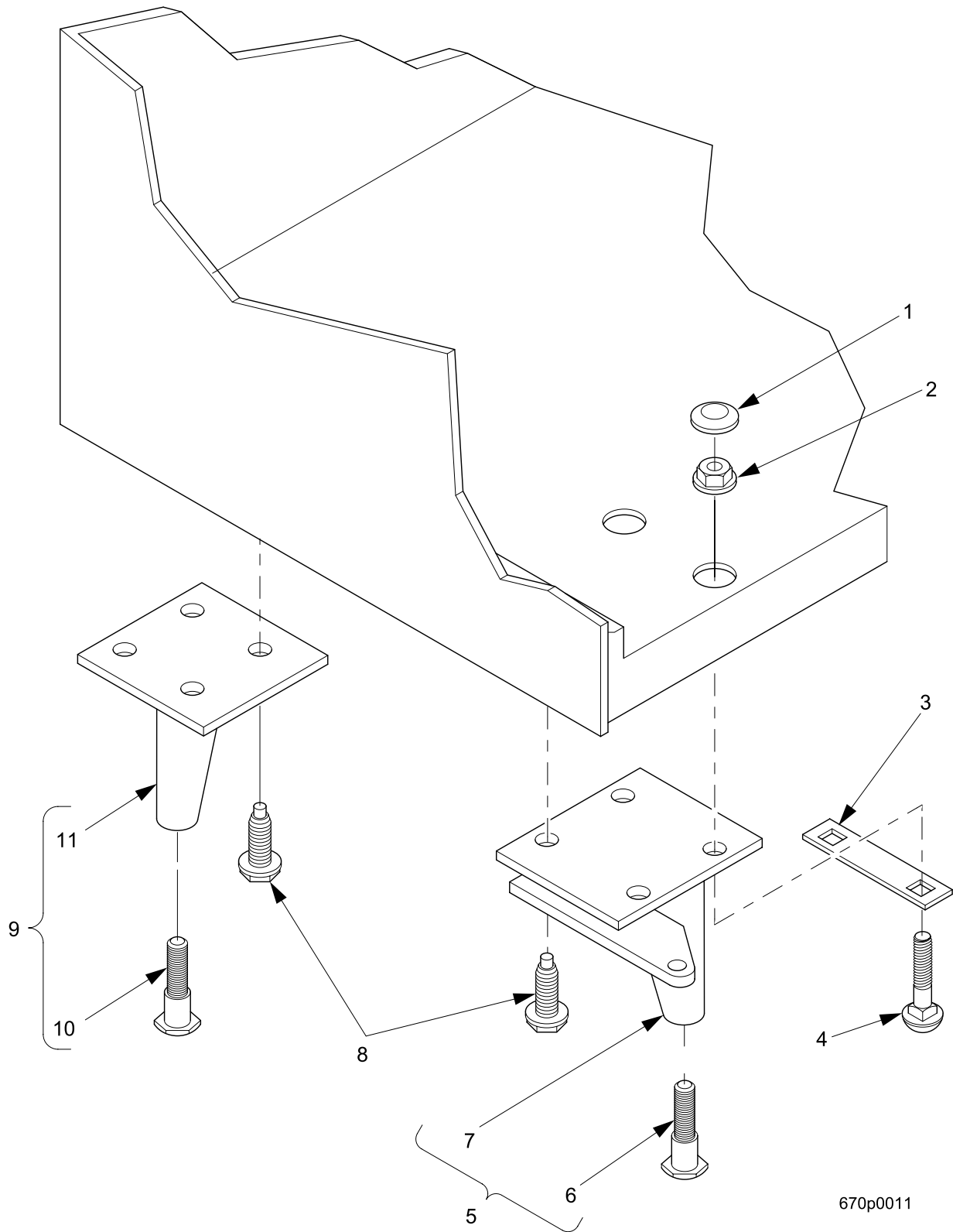
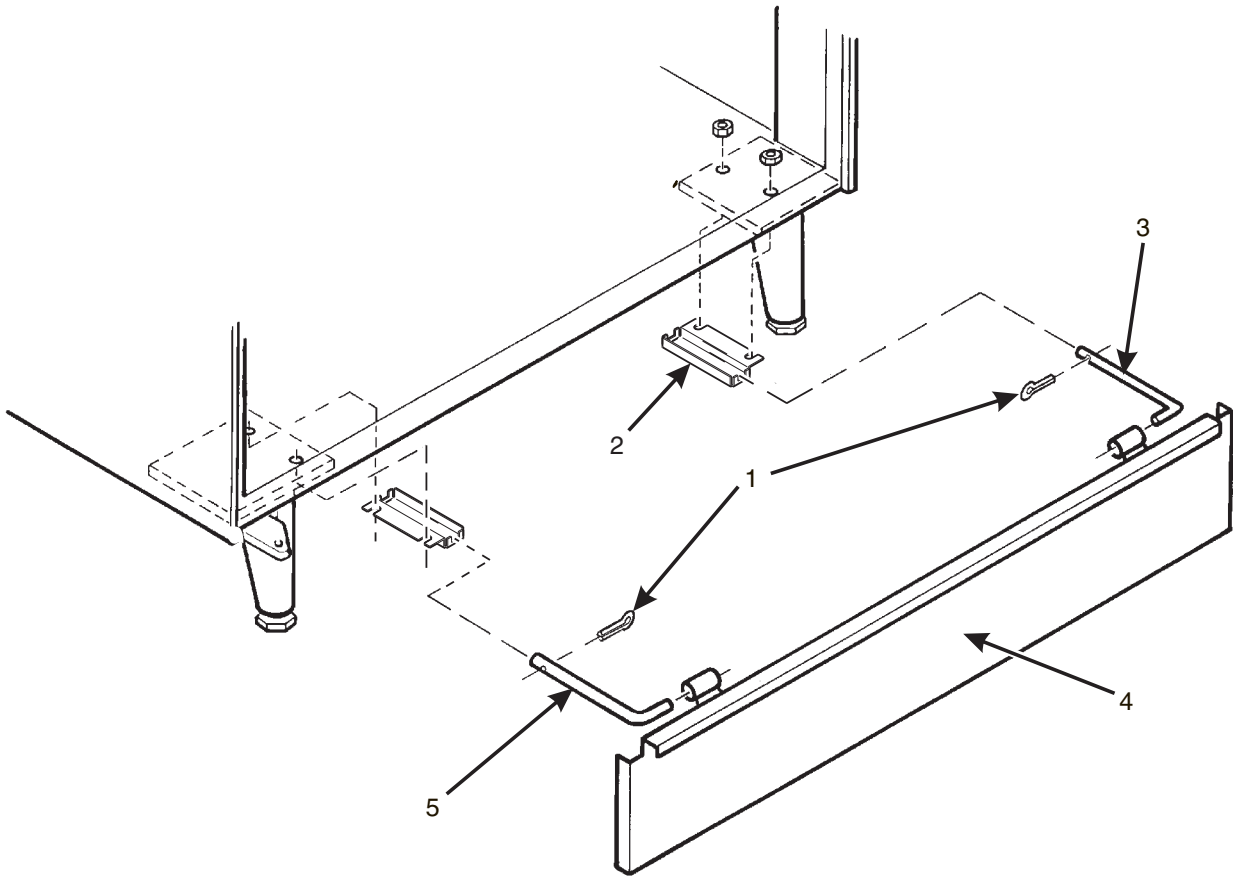


FIGURE 22: LEG LEVELER AND LEG AND HINGE ASSEMBLIES

TABLE 22: LEG LEVELER AND LEG AND HINGE ASSEMBLIES

INDEX	PART NUMBER	DESCRIPTION	QTY.
1	6231034	PLUG - HOLE	2
2	1172021	NUT - 1/4-20 WHIZ - LOCK	2
3	6231203	PLATE - HINGE LEG BOLT	1
4	1211112	TRAY BOLT	2
5	6231163	LEG HINGE AND LEVELER ASSEMBLY (INCLUDES INDEX NUMBERS 6 - 7)	1
6	1471098	LEVELER - CABINET	1
7	1571115	LEG AND HINGE ASSEMBLY	1
8	9900218	SCREW - 5/16 X 1.00 W/LOCKING RINGS	14
9	1471237	LEG AND LEVELER ASSEMBLY - CABINET (INCLUDES INDEX NUMBERS 10 - 11))	3
10	1471098	LEVELER - CABINET	1
11	4311068	LEG ASSEMBLY - CABINET - WELD	1

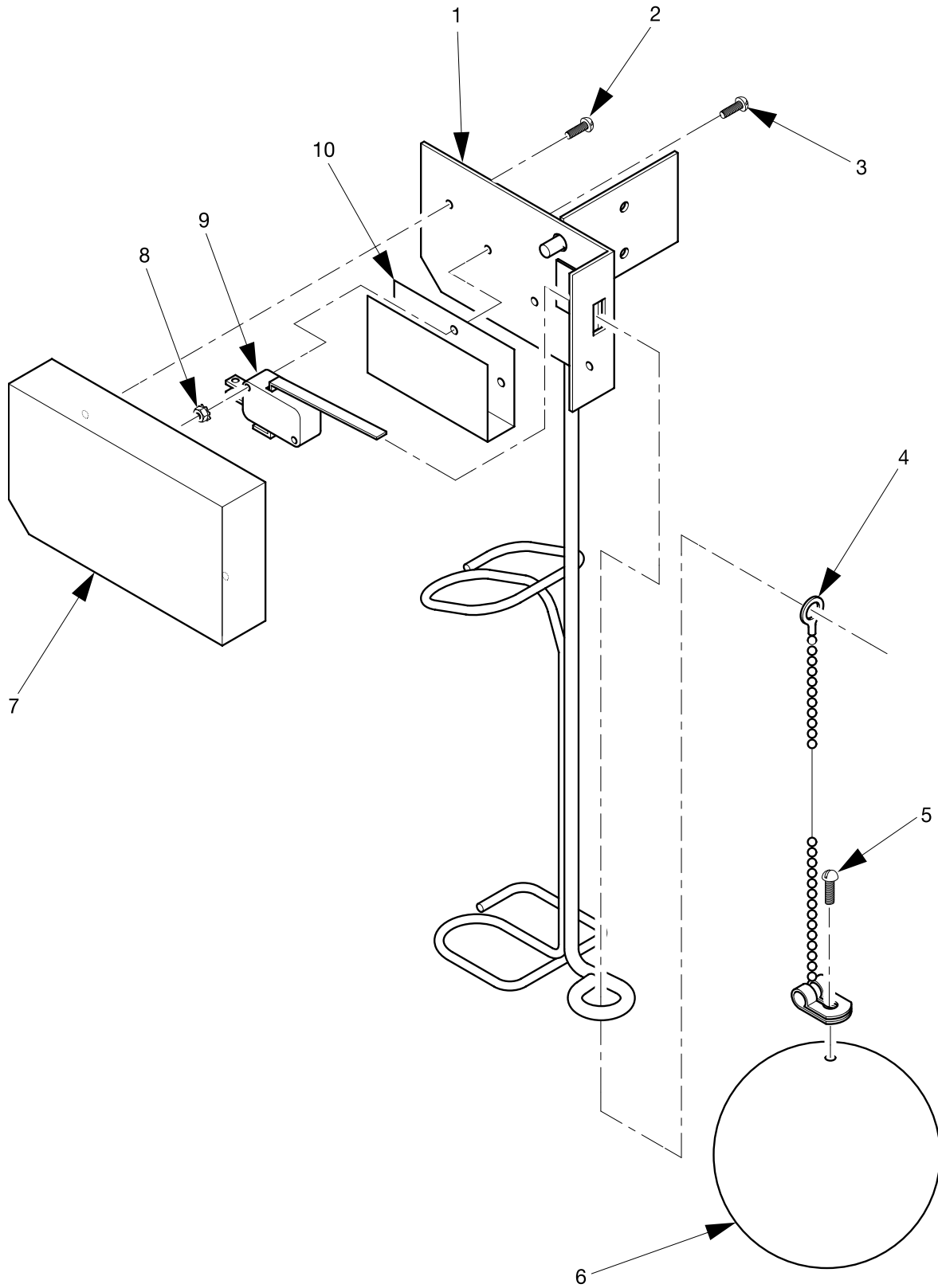


630P0036

FIGURE 23: BASE PLATE ASSEMBLY (OPTIONAL)

TABLE 23: BASE PLATE ASSEMBLY (OPTIONAL)

INDEX	PART NUMBER	DESCRIPTION	QTY.
1	9900098	COTTER PIN - 3/32	2
2	6231087	BRACKET - BASE PLATE	2
3	1411194	SLIDE - BASE PLATE - RIGHT HAND	1
4	1581023	BASE PLATE ASSEMBLY	1
	6330733	BASE PLATE ASSEMBLY BLACK	
	2271408	BASE PLATE ASSEMBLY NV BLACK	
5	1411195	SLIDE - BASE PLATE - LEFT HAND	1

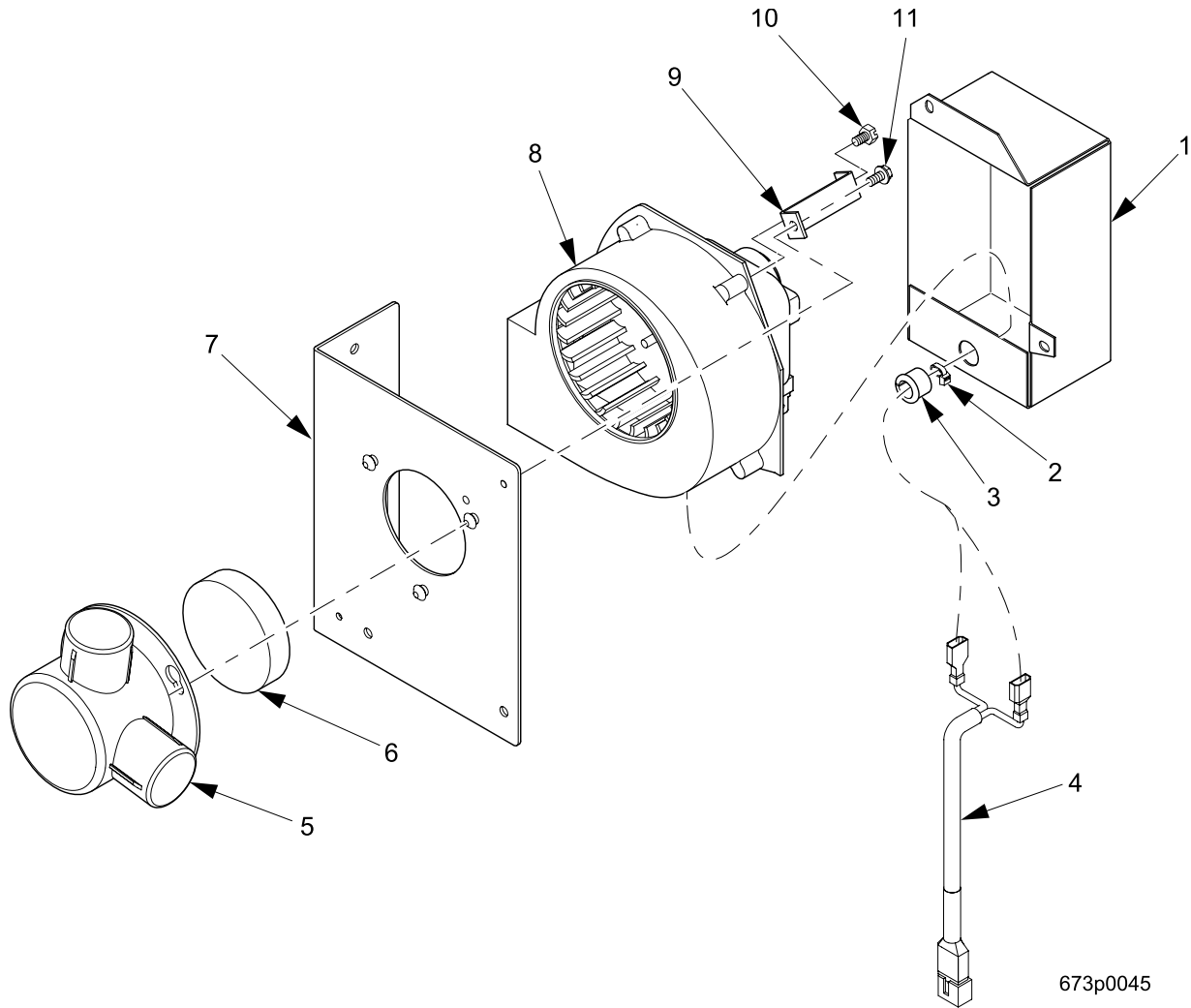


630p0041

FIGURE 24: OVERFLOW SWITCH ASSEMBLY

TABLE 24: OVERFLOW SWITCH ASSEMBLY

INDEX	PART NUMBER	DESCRIPTION	QTY.
--	6231223	OVERFLOW SWITCH ASSEMBLY (INDEX NUMBERS 3 AND 7 NOT INCLUDED)	--
1	6231507	BRACKET ASSEMBLY - OVERFLOW SWITCH	1
2	1217160	SCREW - 4-40 X 5/8 RHS	2
3	9900012	SCREW - #6-32 X 1/4 RHS S/T	2
4	6151131	CHAIN - OVERFLOW SWITCH	1
5	4047054	SCREW - #8-18 X 1/2 RHS T/C	2
6	3116127	FLOAT - OVERFLOW SWITCH	1
7	6231135	COVER - OVERFLOW SWITCH	1
8	3116127	NUT - 4-40 KEPS W/EXT L/WASHER	2
9	9984636	SWITCH - LEVER V7-7B17D8-048	1
10	3121150	INSULATION - OVERFLOW SWITCH	1
--	6201025	WASTE BUCKET (NOT SHOWN)	1

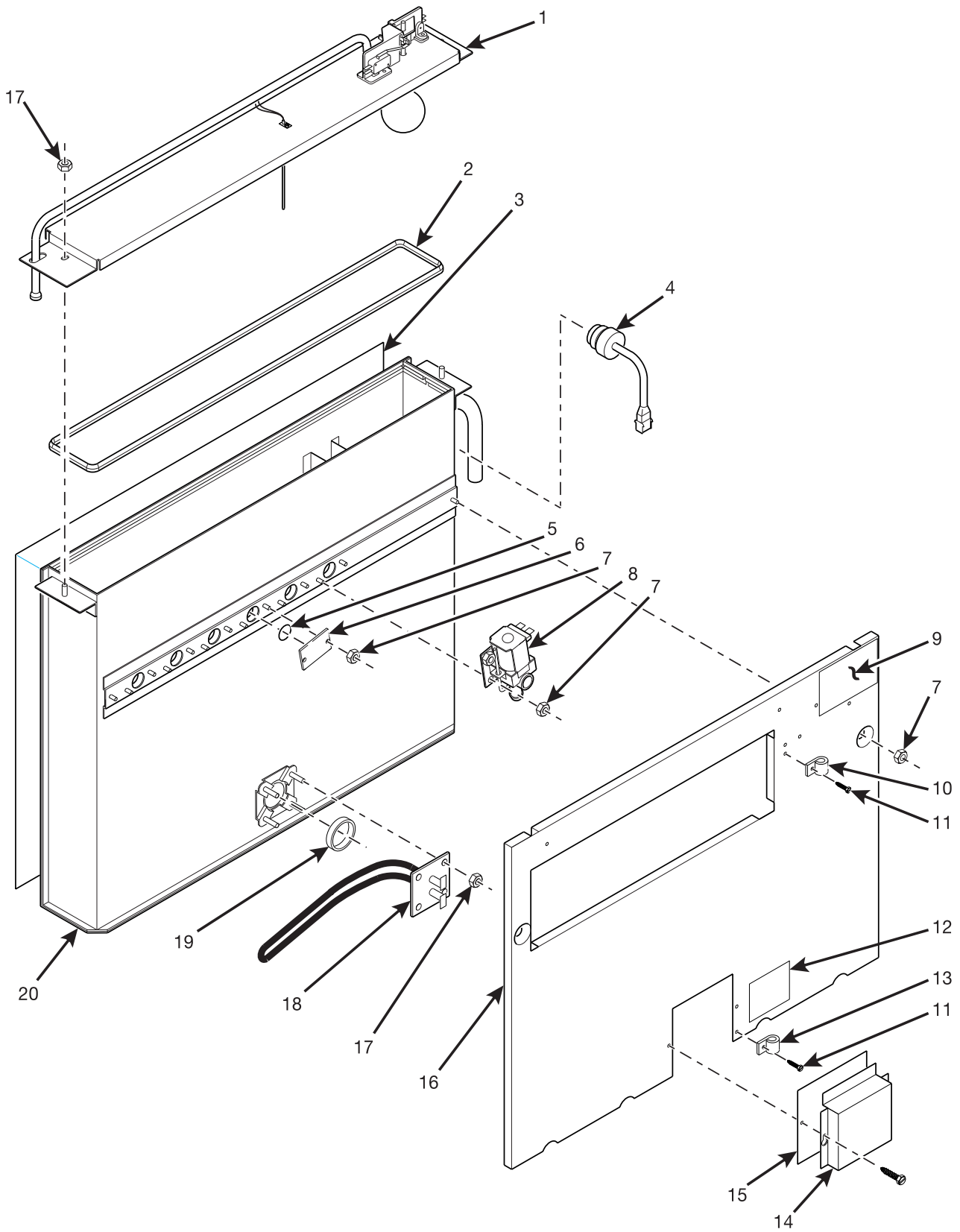


673p0045

FIGURE 25: BRACKET BLOWER AND COVER ASSEMBLY

TABLE 25: BRACKET BLOWER AND COVER ASSEMBLY

INDEX	PART NUMBER	DESCRIPTION	QTY.
--	6331089	BRACKET BLOWER & COVER ASSEMBLY - 110V	--
1	6391020	PLATE - COVER - BLOWER	1
2	2204513	WIRE TIE - #PLT 1.5IM	1
3	3502097	BUSHING #OCB-500	1
4	9989676	JUMPER - BLOWER	1
5	6237342	HOUSING - EXHAUST BLOWER	1
6	6237340	FILTER - EXHAUST BLOWER	1
7	6231550	BRACKET ASSEMBLY - BLOWER MOUNTING	1
8	4312210	BLOWER ASSEMBLY - 120V	1
9	6231553	TIE DOWN - BLOWER ASSEMBLY	2
10	1437204	SCREW - #8-10X.38 HEX HD.TFG	--
11	1451097	SCREW - #8-32X.31 HEX HD.TF-BLK.	--



670p0012

FIGURE 26: WATER TANK ASSEMBLY

TABLE 26: WATER TANK ASSEMBLY

INDEX	PART NUMBER	DESCRIPTION	QTY.
--	6558007	WATER TANK ASSEMBLY	--
	6368001	WATER TANK ASSEMBLY - NESTLE - 120V	
1	6338046	LID ASSEMBLY - WATER TANK (SEE TABLE 27 FOR DETAILS)	1
2	6538000	GASKET - VULCANIZED - HOT WATER TANK	1
3	6238138	INSULATION - WATER TANK - BACK	1
4	6559005	SAFETYSTAT ASSEMBLY - 5/8	1
5	6238074	O - RING	6
6	6238114	MOUNTING PLATE - VALVE	1
7	9900081	NUT - #8-32 KEPS	16
8	6238112	VALVE ASSEMBLY - H.W.T.-115V	1
9	6231188	LABEL - CAUTION - HOT SURFACE	1
10	6231035	HARNESS CLIP-.750	2
11	1451097	SCREW - #8-32X.31 HEX HD.TF-BLK.	7
12	6231189	LABEL - WARNING - HIGH VOLTAGE	1
13	1452139	RETAINER - HARNESS	1
14	6238104	COVER - HEATER	1
15	6338022	INSULATION	1
16	6238075	COVER - FRONT	1
17	1172021	NUT - 1/4-20 WHIZ LOCK	6
18	6338041	HEATER - WATER 115V	1
19	6508006	GASKET - HEATER	1
20	6558009	WELD ASSEMBLY - WATER TANK	1
--	6238136	INSULATION - BOTTOM - WATER TANK (NOT SHOWN)	1
--	6238137	INSULATION - TOP - WATER TANK (NOT SHOWN)	1

ALSO AVAILABLE

--	9905010	REPLACEMENT PACKAGE - WATER VALVE - HOT DRINK (CONTAINS 10 EACH OF "O" RING PART NUMBER 6238074)
----	---------	---

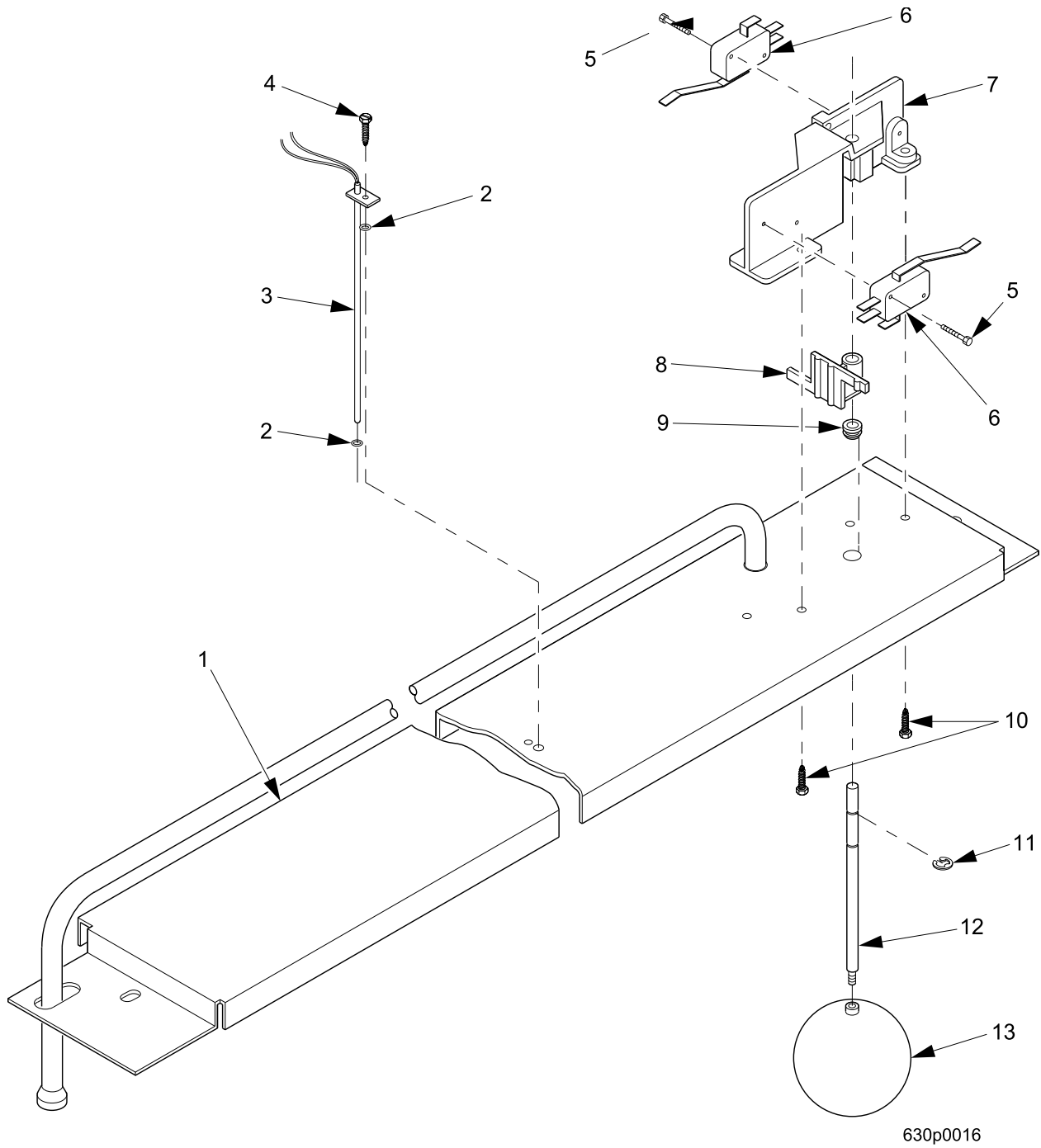
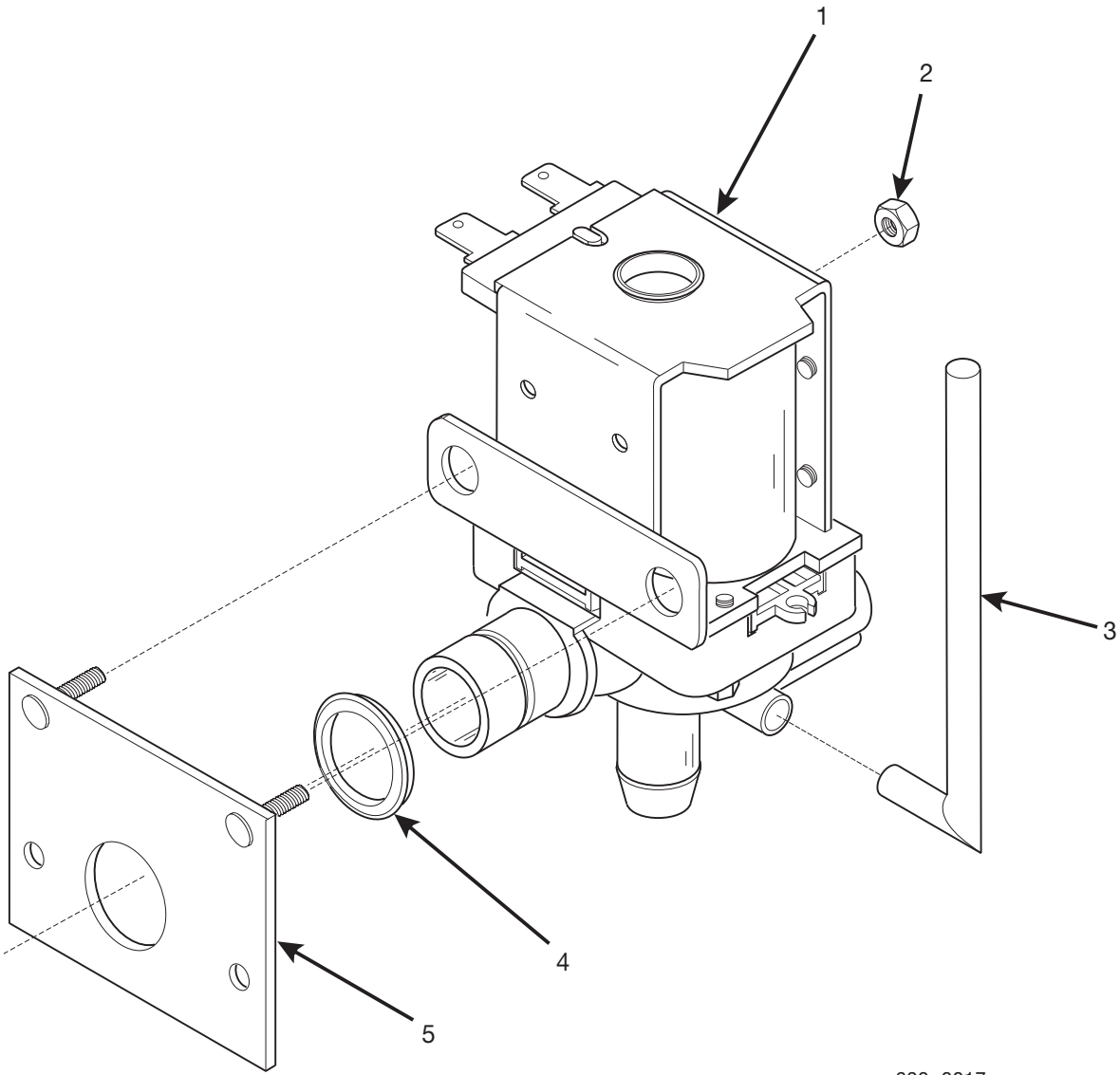


FIGURE 27: LID ASSEMBLY - WATER TANK

TABLE 27: LID ASSEMBLY - WATER TANK

INDEX	PART NUMBER	DESCRIPTION	QTY.
--	6338046	LID ASSEMBLY - WATER TANK	--
1	6338047	WELD ASSEMBLY COVER LARGE INLET - WATER TANK.	1
2	6138287	O RING	2
3	6338051	SENSOR - TEMPERATURE	1
4	6234295	SCREW - #8-32 X .38 HHS W/LW	1
5	6238070	SCREW - #4-17 X .62 HEX HD.	4
6	6238084	SWITCH - LEVER	2
7	6238068	SWITCH MOUNTING BRACKET	1
8	6138183	ACTUATOR - SWITCH	1
9	6338050	BEARING - LID - HOT WATER TANK	1
10	6237049	SCREW - #18-16 X .25 - SLTD - PHS	3
11	6124073	RETAINING RING	2
12	6338049	SHAFT - FLOAT	1
13	6508033	FLOAT WATER TANK	1



630p0017

FIGURE 28: VALVE ASSEMBLY - HOT WATER

TABLE 28: VALVE ASSEMBLY - HOT WATER

INDEX	PART NUMBER	DESCRIPTION	QTY.
--	6238112	VALVE ASSEMBLY - HOT WATER TANK 115V	--
1	6338053	VALVE - HOT WATER 115V	1
2	9900081	NUT - #8-32 KEPS ZINC PLATE	2
3	6338054	VENT ELBOW	1
4	6238074	O RING	1
5	6238113	VALVE MOUNTING PLATE	1

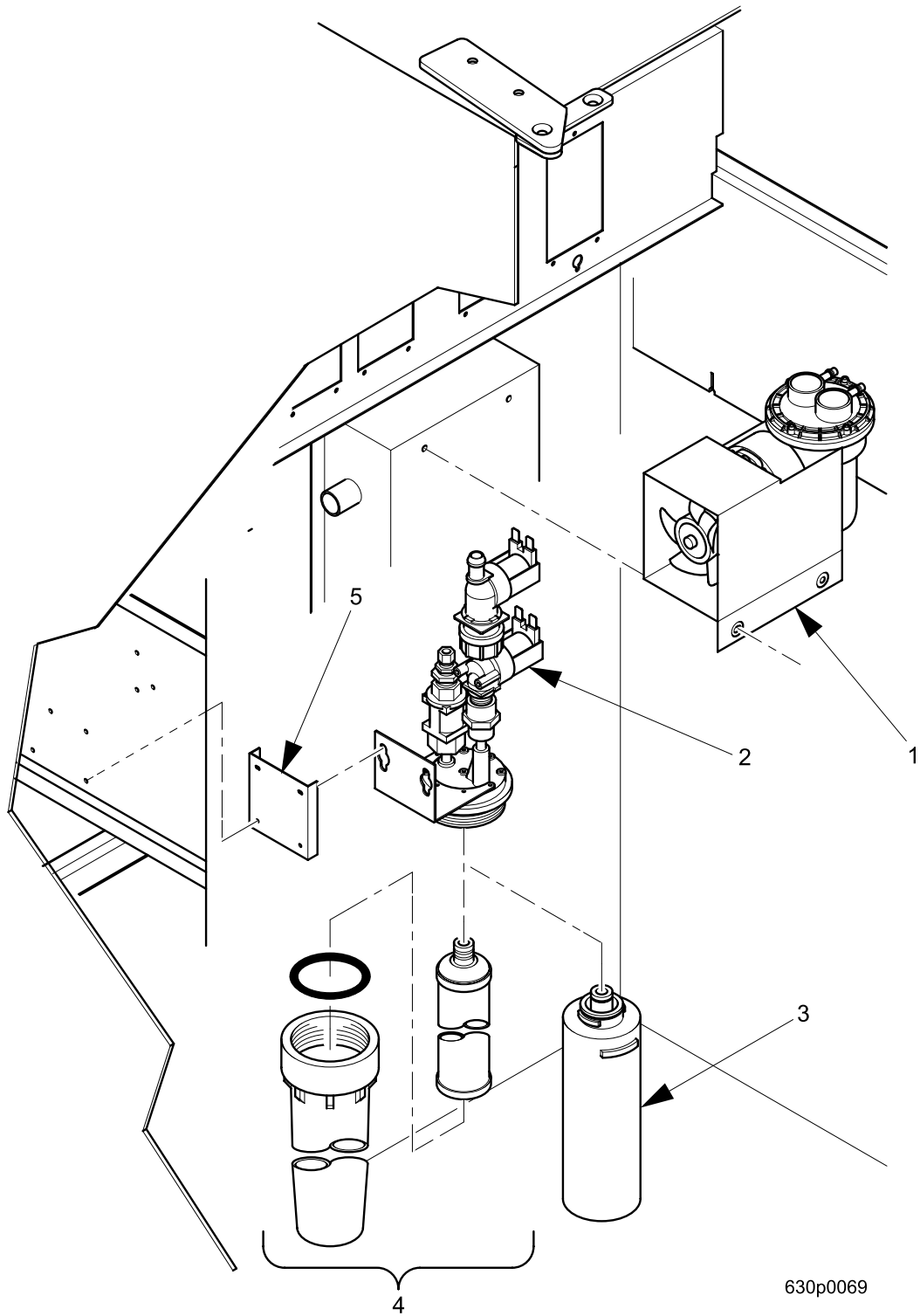
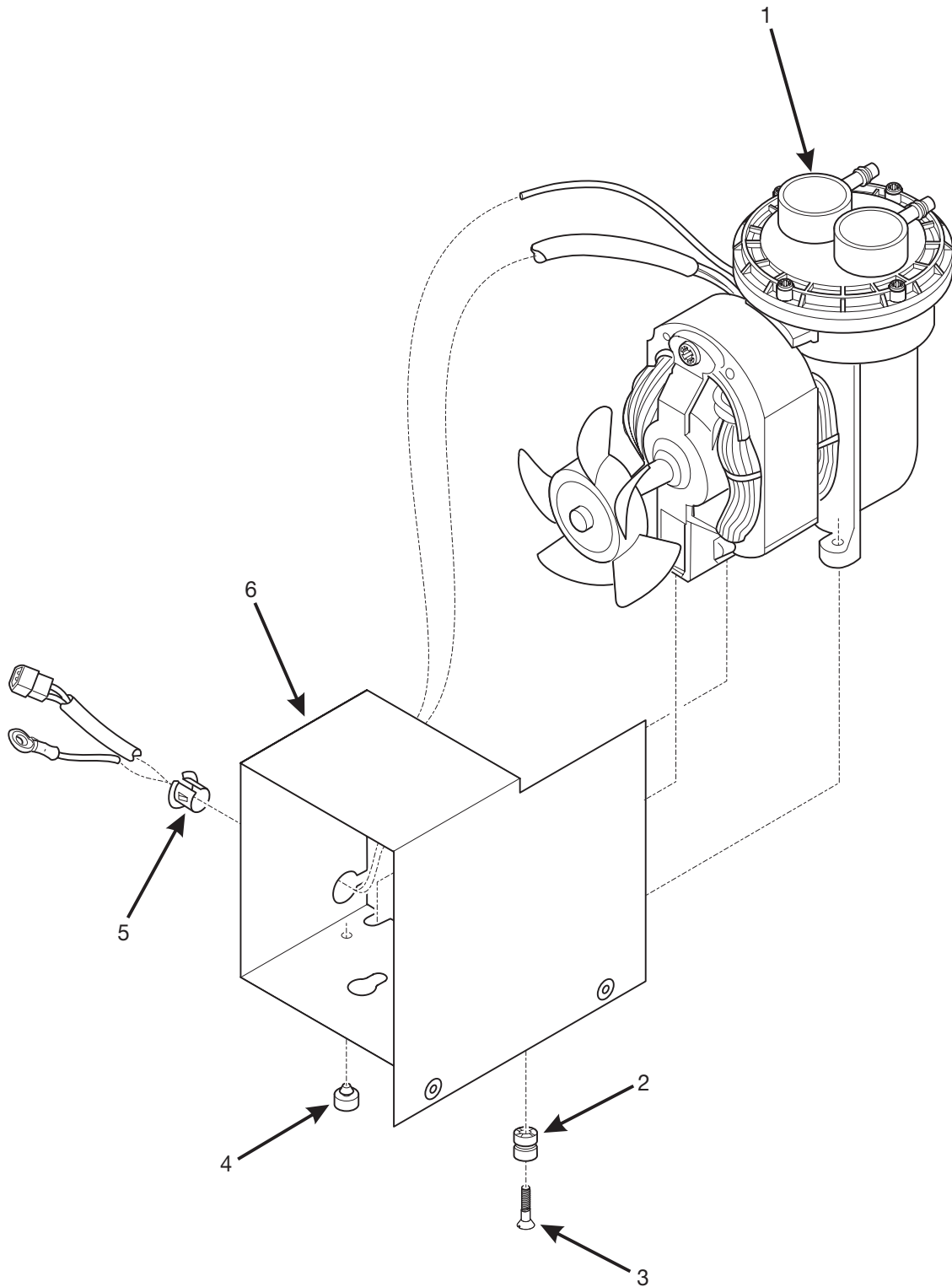


FIGURE 29: WATER FILTER ASSEMBLY

TABLE 29: WATER FILTER ASSEMBLY

INDEX	PART NUMBER	DESCRIPTION	QTY.
1	6234357	AIR COMPRESSOR (SEE TABLE 30 FOR DETAILS)	1
2	6408025	FILTER HEAD ASSEMBLY - WITH EVERPURE FILTER (SEE TABLE 31 FOR DETAILS)	1
	6338030	FILTER HEAD ASSEMBLY - WITH HYDROLIFE FILTER (SEE TABLE 32 FOR DETAILS)	
	6338018	FILTER HEAD ASSEMBLY - WITH CUNO FILTER (SEE TABLE 33 FOR DETAILS)	
	--	WATER VALVE ASSEMBLY - WITHOUT FILTER	
3	6338015	WATER FILTER - CUNO - HOT - 12/CS	OPT.
4	6408028	HOUSING CARTRIDGE "O" RING - HLV192H HYDRO LIFE	1
--	6118071	WATER FILTER CARTRIDGE - EVERPURE #9604-12	1
	6408114	WATER FILTER CARTRIDGE - CUNO	
	--	WATER FILTER CARTRIDGE - HYDROLIFE	
--	--	HOUSING	1
5	6231142	PLATE - WATER FILTER	1



630p0040

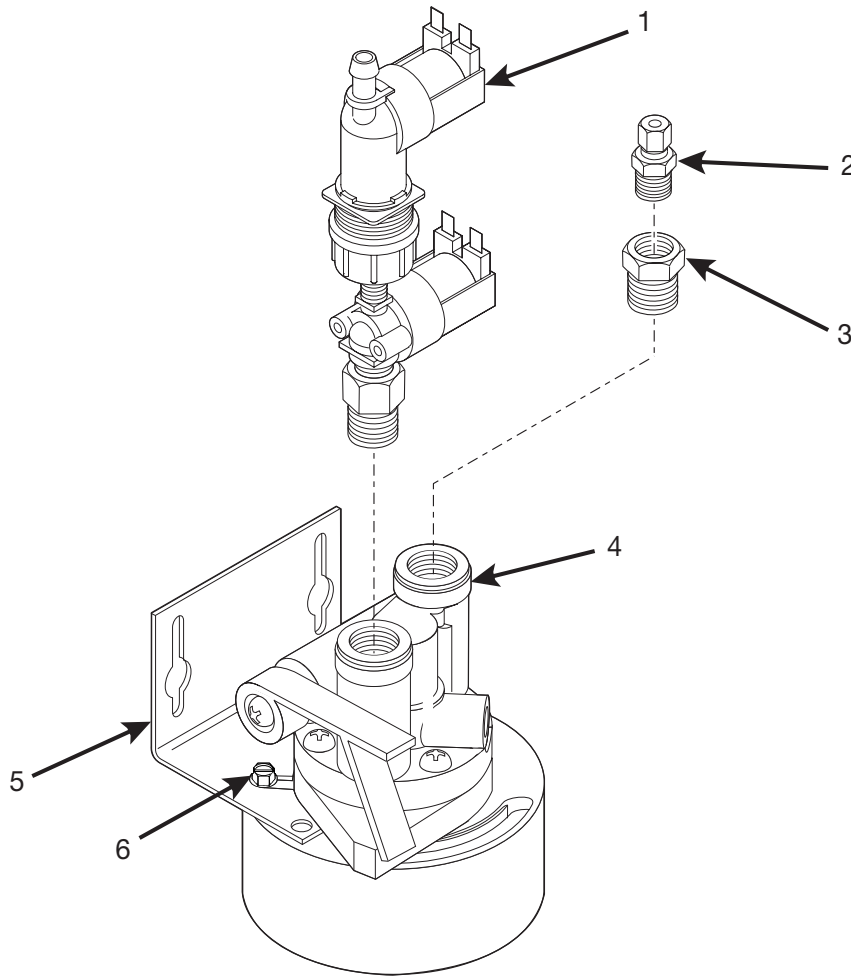
FIGURE 30: AIR COMPRESSOR ASSEMBLY

TABLE 30: AIR COMPRESSOR ASSEMBLY

INDEX	PART NUMBER	DESCRIPTION	QTY.
--	6234357	AIR COMPRESSOR ASSEMBLY - 115 V (INCLUDES INDEX NUMBERS 2 - 7)	--
	6234364	AIR COMPRESSOR ASSEMBLY - ALTERNATE	
1	6234359	AIR COMPRESSOR - BREWER - 115 V	1
2	6237205	VIBRATION ISOLATOR - .250 DIAMETER	3
3	6231178	SHOULDER SCREW	3
4	6231319	BUMPER - PLUG	1
5	3502097	BUSHING #OCB-500	1
6	6231210	SUPPORT - COMPRESSOR	1

TABLE 31: FILTER HEAD ASSEMBLY - WITH EVERPURE FILTER

INDEX	PART NUMBER	DESCRIPTION	QTY.
--	6408025	FILTER HEAD ASSEMBLY - 115 V	--
1	3158061	VALVE ASSEMBLY - 115 V	1
2	6408119	MALE CONNECTOR - BRASS - #4-4 FBI 12-B PARKER	1
3	6408117	BUSHING - 1/4 X 3/8 - BRASS - 290P-6-4	1
4	6408134	FILTER HEAD - EVERPURE #9257-12	1
5	3158023	BRACKET - MOUNTING - WATER FILTER	1
6	9900205	SCREW - #10-32 X 3/8 HEX HD	5



630p0025

FIGURE 31: FILTER HEAD ASSEMBLY - WITH EVERPURE FILTER

TABLE 32: FILTER HEAD ASSEMBLY - WITH HYDROLIFE FILTER

INDEX	PART NUMBER	DESCRIPTION	QTY.
--	6338030	HEAD ASSEMBLY - 115 V	--
1	6408119	MALE CONNECTOR - BRASS - #4-4-FBI2	1
2	6408117	BUSHING - 1/4 X 3/8 - BRASS - 209P6	1
3	6338027	HEAD BRACKET ASSEMBLY	1
4	3158061	VALVE ASSEMBLY - WATER INLET-U.K.	1

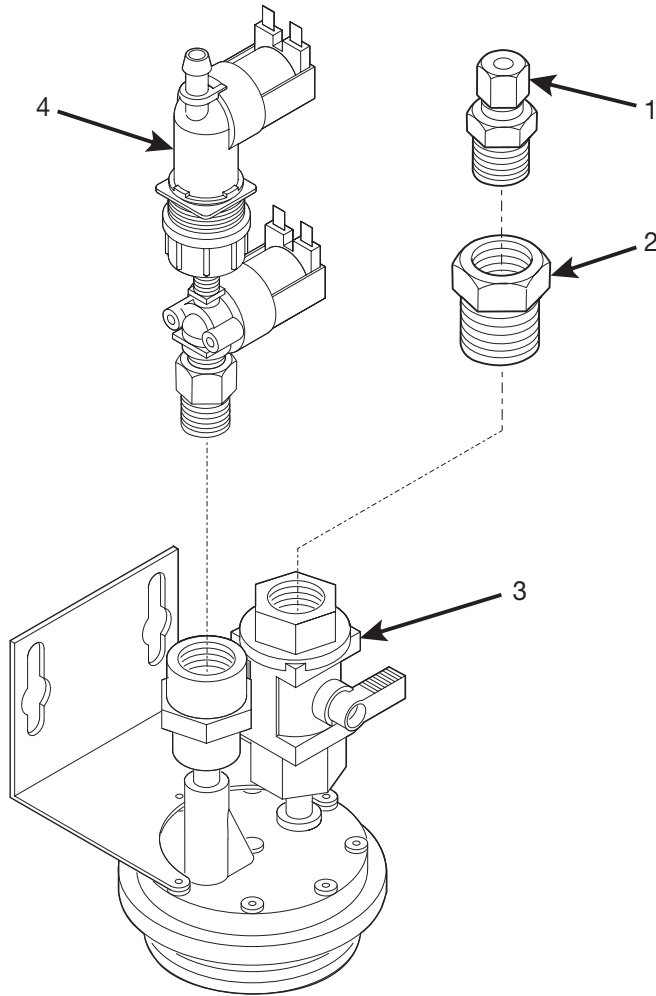
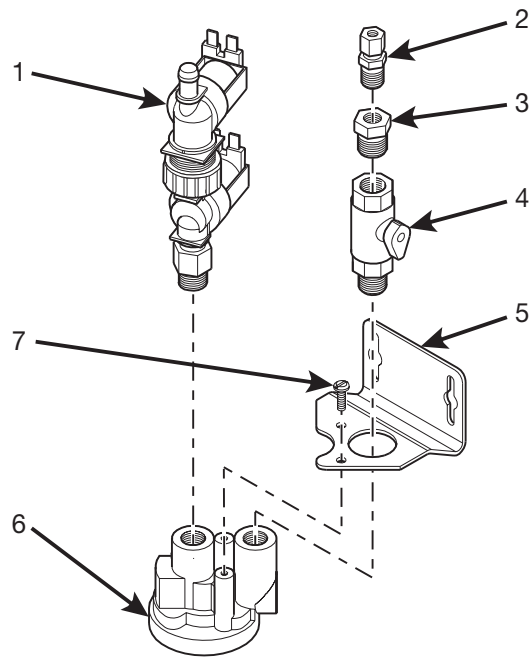


FIGURE 32: FILTER HEAD ASSEMBLY - WITH HYDROLIFE FILTER

TABLE 33: FILTER HEAD ASSEMBLY - WITH CUNO FILTER

INDEX	PART NUMBER	DESCRIPTION	QTY.
--	6338018	FILTER HEAD ASSEMBLY - CUNO-115VAC	--
1	3158061	VALVE ASSEMBLY - WATER INLET	1
2	6408119	MALE CONNECTOR - BRASS #4-4-FBI2-B	1
3	6408117	BUSHING	1
4	6408113	BALL VALVE - 3/8"-TTC	1
5	6408115	BRACKET - CUNO	1
6	6408114	FILTER HEAD - CUNO	1
7	7207027	SCREW - #10-16 X 5/8 PHS	4



630p0028

FIGURE 33: FILTER HEAD ASSEMBLY - WITH CUNO FILTER

TABLE 34: WATER VALVE ASSEMBLY - WITHOUT FILTER

INDEX	PART NUMBER	DESCRIPTION	QTY.
--	6331040	BRACKET AND INLET VALVE ASSEMBLY (115 VOLT APPLICATIONS ONLY)	--
1	3158061	VALVE ASSEMBLY (115 VOLT APPLICATIONS ONLY)	1
2	6231503	ADAPTER - 3/8 - 1/4	1
3	3108048	VALVE - WATER - CONBRACO #57-001-01	1
4	6408119	MALE CONNECTOR - BRASS - #4-4-FBI 2-B	1
5	9900203	SCREW - #6-20 X 3/8 PHS	2
6	6231501	SUPPORT - INLET WATER VALVE	1

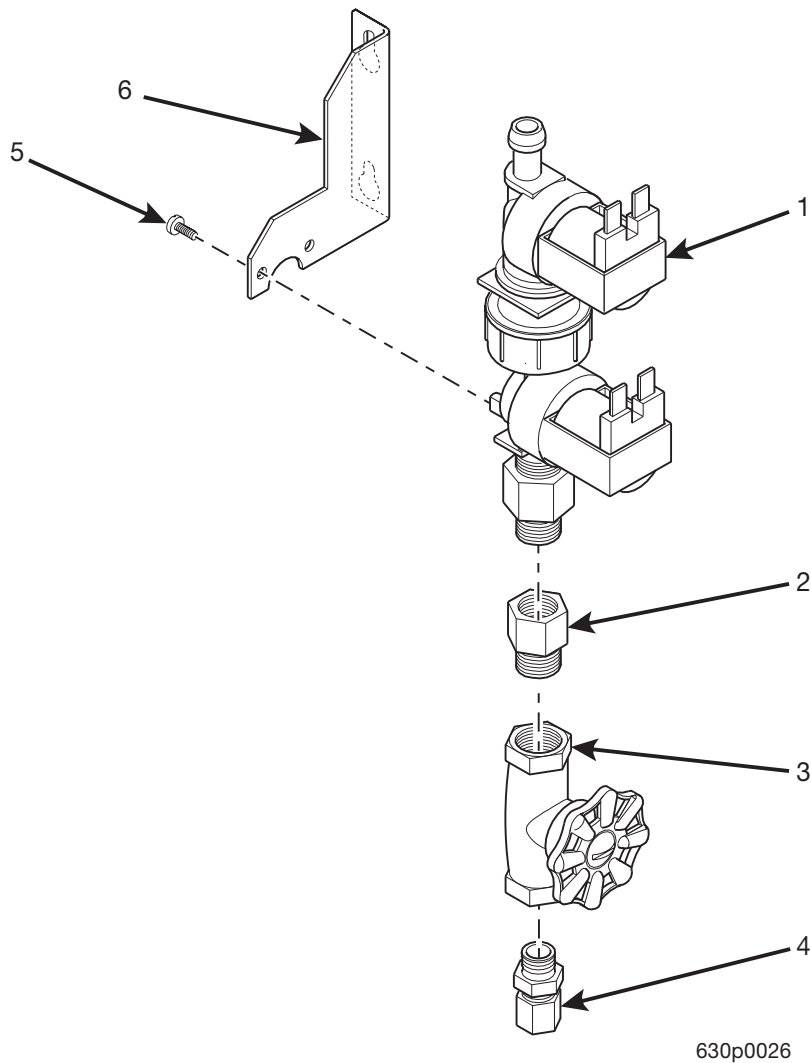
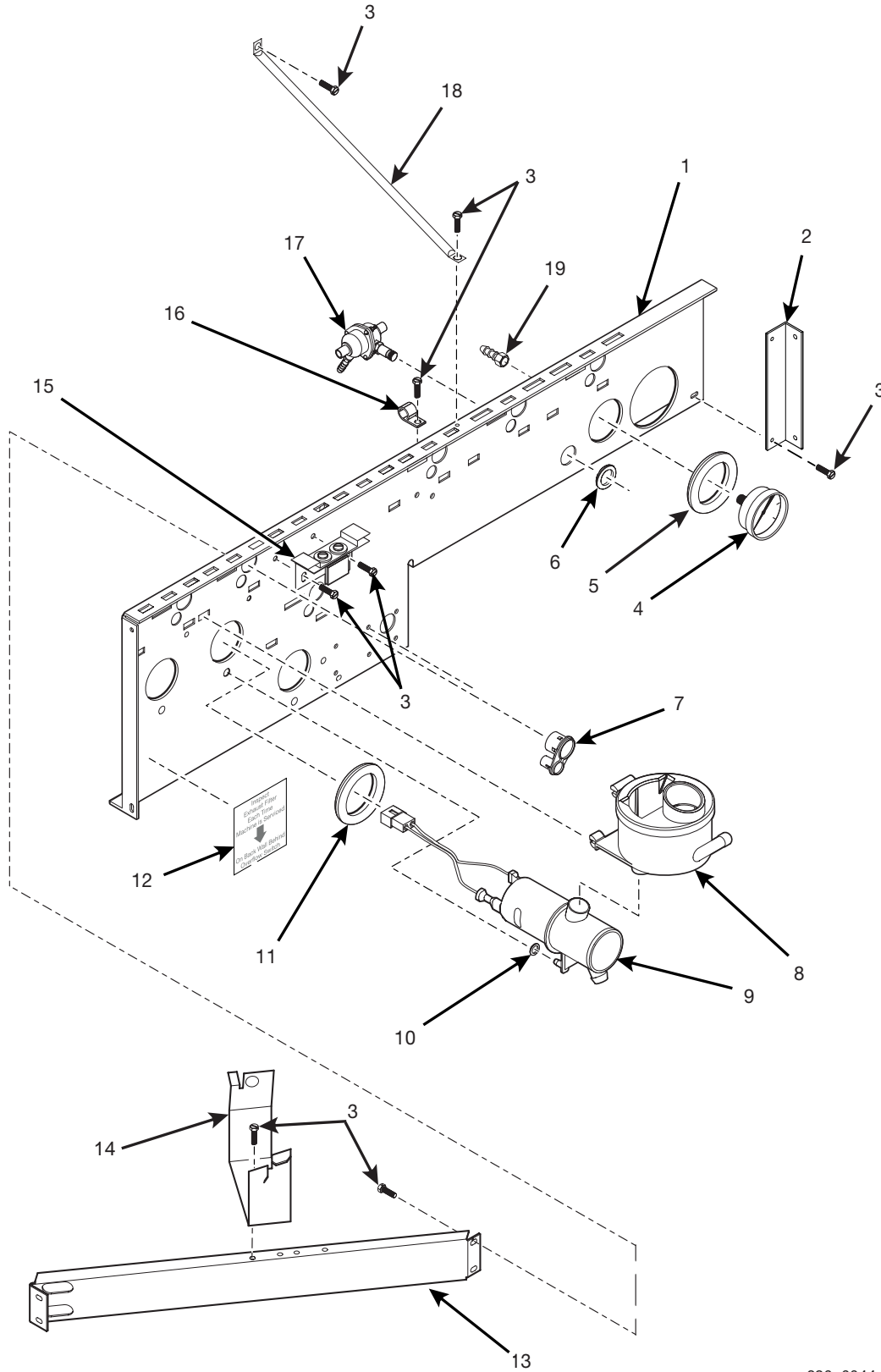


FIGURE 34: WATER VALVE ASSEMBLY - WITHOUT FILTER

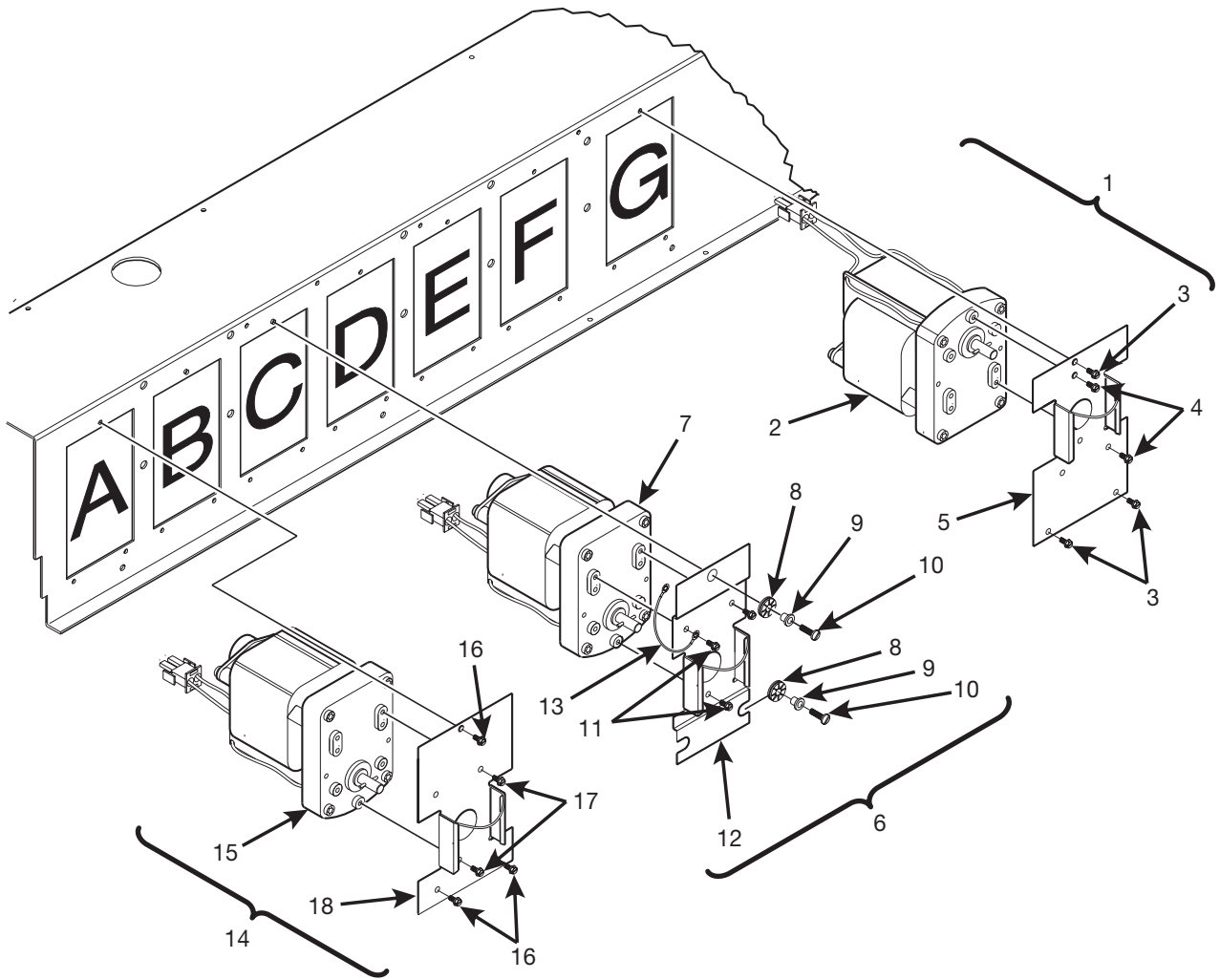


630p0044

FIGURE 35: CANISTER SUPPORT ASSEMBLY

TABLE 35: CANISTER SUPPORT ASSEMBLY

INDEX	PART NUMBER	DESCRIPTION	QTY.
--	6241001	CANISTER SUPPORT ASSEMBLY - DUAL FRESH BREW	--
	6261130	CANISTER SUPPORT ASSEMBLY - FREEZE DRIED	
	6261132	CANISTER SUPPORT ASSEMBLY - FREEZE DRIED W/SOUP	
	6337057	CANISTER SUPPORT ASSEMBLY - LIGHTENER	
	6341018	CANISTER SUPPORT ASSEMBLY - SINGLE FRESH BREW	
	6341022	CANISTER SUPPORT ASSEMBLY - SINGLE FRESH BREW/ INTERNATIONAL COFFEE	
1	6261117	CANISTER SUPPORT CHANNEL	1
2	6231033	BRACKET - CANISTER SUPPORT	1
3	1451097	SCREW - 1/8-32 X .31 HX HD	--
4	6108065	GAUGE - COMPRESSOR	1
5	6237051	GROMMET - GAGE MOUNTING	1
6	6237052	GROMMET - REGULATOR MOUNTING	1
7	6237315	RETAINER - TUBE	
8	6337076	MIXING BOWL ASSEMBLY - S & P (SEE TABLE 39 FOR DETAILS)	--
	6337078	MIXING BOWL ASSEMBLY - P & NO S	
	6337079	MIXING BOWL ASSEMBLY - NO P & NO S	
9	6237195	WHIPPER ASSEMBLY (SEE TABLE 39 FOR DETAILS)	1
	6337081	WHIPPER ASSEMBLY - DRINK - INTERNATIONAL.	
10	2302223	GROMMET - 3/16	1
11	6237115	GROMMET - WHIPPER MOUNTING	1
12	--	LABEL	1
13	6341007	BRACE - CANISTER SUPPORT	1
14	6337017	BRACKET - FLOW RESTRICTOR	1
15	6337057	CANISTER SUPPORT ASSEMBLY - LIGHTENER	1
16	--	CLIP - HARNESS	1
17	6234981	REGULATOR ASSEMBLY (SEE TABLE 38 FOR DETAILS)	1
18	6231533	BRACE - CANISTER ASSEMBLY	1
19	6204215	FITTING - 1/4 BARB X 1/8 FEMALE NPT	1



630p0053

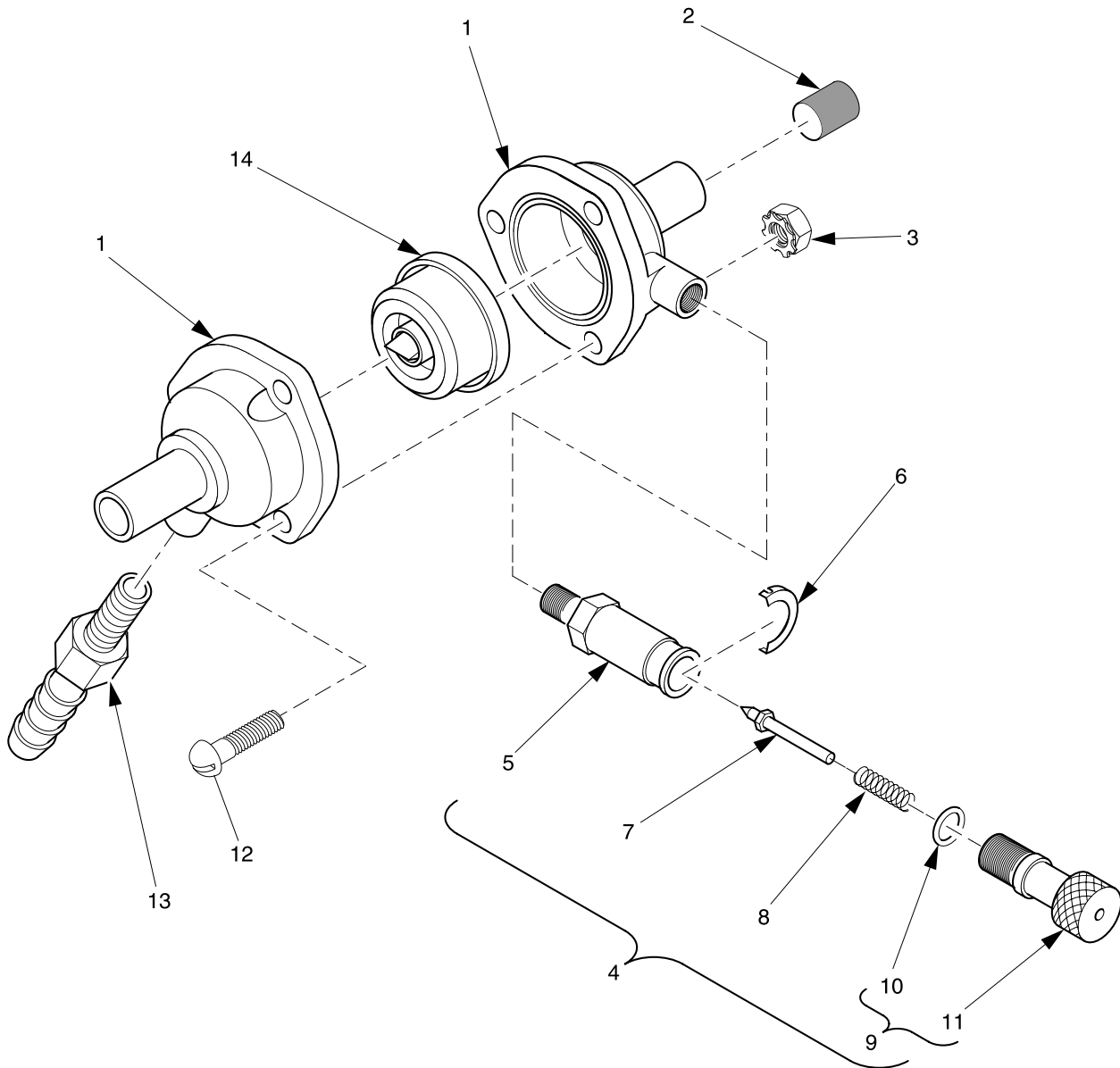
FIGURE 36: CANISTER MOTOR AND PLATE ASSEMBLIES

TABLE 36: CANISTER MOTOR AND PLATE ASSEMBLIES

INDEX	PART NUMBER	DESCRIPTION	QTY.
1			1
	6237438	MOTOR & PLATE ASSEMBLY - COFFEE (INCLUDES INDEX NUMBERS 2-5)	
2	6237165	MOTOR - 115 V - 200 RPM	1
3	1451097	SCREW - #8-32 X .31 HEX HD	3
4	9900157	SCREW - #8-32 X 7/32 HWHD TY23	3
5	6237077	PLATE ASSEMBLY -COFFEE MOTOR MOUNTING - WELD	1
6	6237184	MOTOR AND PLATE ASSEMBLY - 115 V (LIGHTENER) (INCLUDES INDEX NUMBERS 7, 10, 12, 13)	1
	6237188	MOTOR & PLATE ASSEMBLY - WITH MOUNTING HARDWARE (INCLUDES INDEX NUMBERS 7 - 13)	
7	6237165	MOTOR - 115 V - 200 RPM	1
8	6237356	VIBRATION ISOLATOR	1
9	6237170	BUSHING - CANISTER	3
10	9900157	SCREW - #8-32 X 7/32 HWD	3
11	3102447	SCREW - 8-32 X 3/4 PHS	3
12	6237172	PLATE ASSEMBLY - MOTOR MOUNTING - LIGHTENER	1
13	1475119	JUMPER - GROUND WIRE	1
14	6237436	MOTOR & PLATE ASSEMBLY - 200 RPM (INCLUDES INDEX NUMBERS 15 - 18)	--
15	6237165	MOTOR - CANISTER - 115V/60HZ - 200	1
16	1451097	SCREW - #8-32 X .31 HEX HD	3
17	9900157	SCREW - #8-32 X 7/32 HWD	3
18	6237074	PLATE ASSEMBLY - MOTOR MOUNTING - WELD	1

TABLE 37: TUBING (NOT SHOWN)

PART NUMBER	DESCRIPTION	QTY.
6238090	TUBING - 13/16 OD X 5/8 ID BLACK	A/R
6338021	TUBING - SILICONE - .375 ID X.562 OD	A/R
3618123	TUBING - U.K. - AQUAVEND - .375 ID	A/R
6137109	HOSE - EXHAUST - COFFEE CHUTE	A/R
6208037	TUBING - SILICONE - .250 ID X .437 OD	A/R

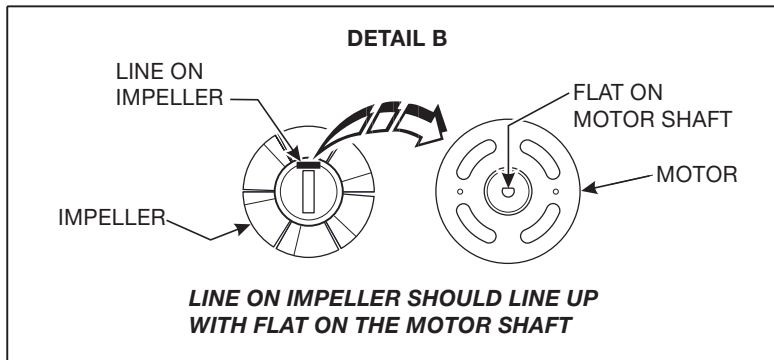
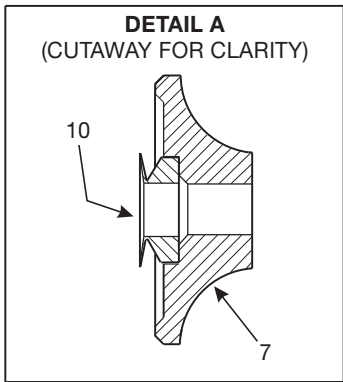
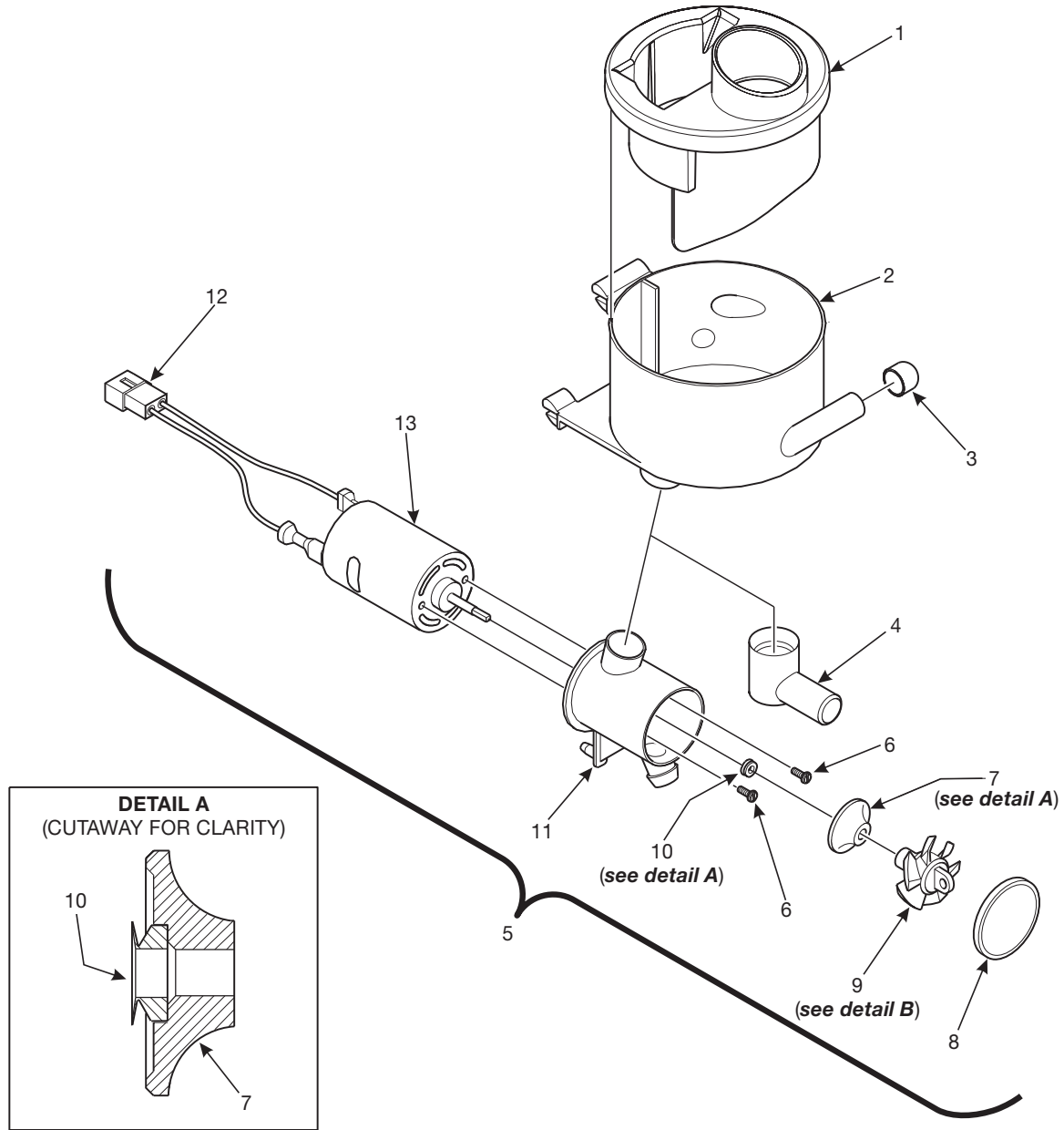


630p0045

FIGURE 38: REGULATOR ASSEMBLY

TABLE 38: REGULATOR ASSEMBLY

INDEX	PART NUMBER	DESCRIPTION	QTY.
--	6234981	REGULATOR ASSEMBLY	--
1	6154214	BODY - REGULATOR	2
2	6234335	FILTER - AIR REGULATOR	1
3	9900081	NUT - #8-32 X 3/4 RHS	3
4	6154284	CONTROL ASSEMBLY (INCLUDES INDEX NUMBERS 5 -11)	1
5	6154288	BODY - PRESSURE CONTROL	1
6	6154285	RETAINER - ADJUSTER	1
7	6154287	PLUNGER - PRESSURE CONTROL	1
8	6154286	SPRING - PRESSURE CONTROL	1
9	6154289	ADJUSTER ASSEMBLY (INCLUDES INDEX NUMBERS 10 & 11)	1
10	6154232	O-RING - .239 X .07	1
11	6154290	ADJUSTER - CONTROL	1
12	9900115	SCREW - #8-32 X 3/4 RHS	3
13	3167128	FITTING - PARKER # P4MCB2	1
14	6334016	DIAPHRAGM AND RESTRICTOR ASSEMBLY	1



363P0074

FIGURE 39: MIXING BOWL AND WHIPPER ASSEMBLY

TABLE 39: MIXING BOWL AND WHIPPER ASSEMBLY

INDEX	PART NUMBER	DESCRIPTION	QTY.
--	6337076	MIXING BOWL ASSEMBLY - S & P (INCLUDES INDEX 1 - 4)	--
	6337078	MIXING BOWL ASSEMBLY - P & NO S (INCLUDES INDEX 1, 2, 4)	
	6337079	MIXING BOWL ASSEMBLY - NO P & NO S (INCLUDES INDEX 1-2)	
1	6537019	VENT AND DIVIDER ASSEMBLY	1
2	6537030	MIXING BOWL	1
3	6237306	VINYL CAP - .38 I.D.	1
4	6237312	SPOUT - MIXING BOWL	1
5	6237195	WHIPPER ASSEMBLY (INCLUDES INDEX NUMBERS 6 - 13)	3
6	6237119	SCREW - M3XL.5-6GX6MM-SPH	2
7	6237192	SPACER - WHIPPER	1
8	6337085	COVER - WHIPPER	1
9	6237194	IMPELLER - WHIPPER	1
10	6237110	V-RING SHAFT SEAL	1
11	6237193	HOUSING - WHIPPER	1
12	6237157	WIRING HARNESS - WHIPPER MOTOR	1
13	6237111	MOTOR - WHIPPER - 24 VOLT DC	1
--	6237117	IMPELLER REMOVAL TOOL (NOT SHOWN)	1

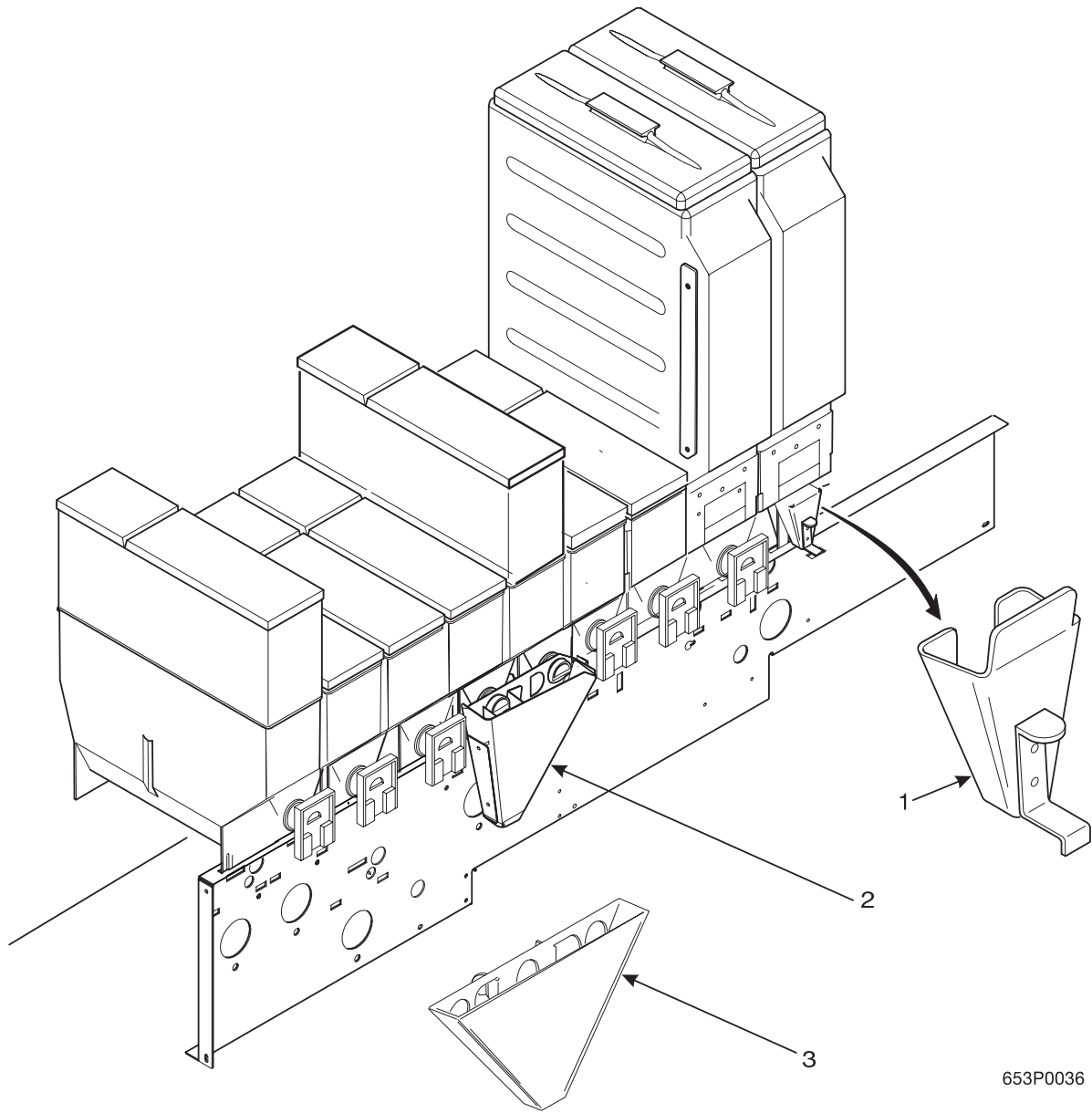
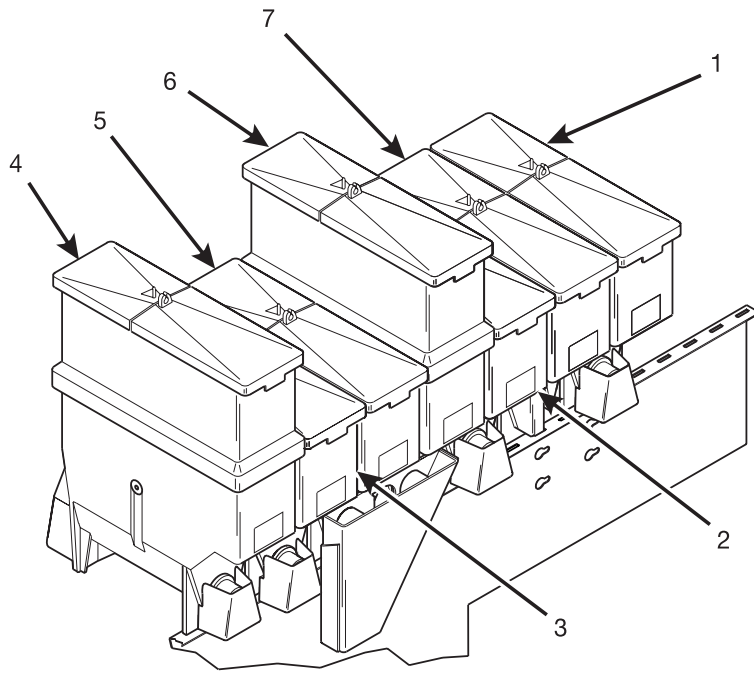


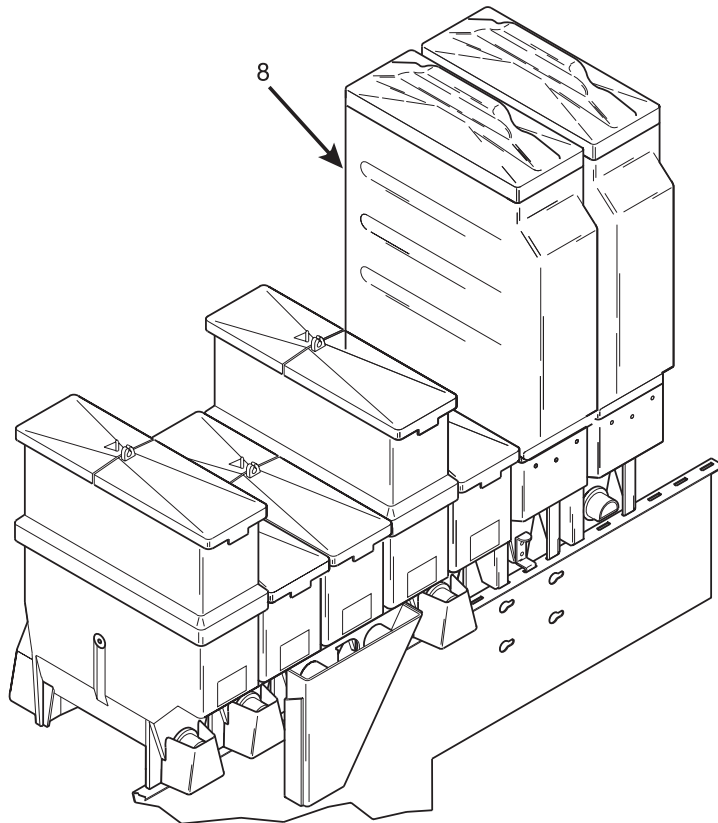
FIGURE 40: PRODUCT/CONDIMENT CHUTES

TABLE 40: PRODUCT/CONDIMENT CHUTES

INDEX	PART NUMBER	DESCRIPTION	QTY.
1	6367018	CHUTE ASSEMBLY - 2 INGREDIENT	5
2	6237287	CHUTE ASSEMBLY - SINGLE/DUAL PRODUCT - RH	1
3	6337080	CHUTE ASSEMBLY - 3 INGREDIENT	1
	6237241	CHUTE ASSEMBLY - PREGROUND COFFEE	



678 MODEL



670 MODEL

670p0015

FIGURE 41: PRODUCT AND CONDIMENT CANISTERS

TABLE 41: PRODUCT AND CONDIMENT CANISTERS

INDEX	PART NUMBER	DESCRIPTION	QTY.
1	6537022	CANISTER ASSEMBLY - FREEZE DRIED COFFEE (SEE TABLE 46 FOR DETAILS)	OPT.
2	6537022	CANISTER ASSEMBLY - TEA	1
3	6537024	CANISTER ASSEMBLY - OPTIONAL PRODUCT (SEE TABLE 43 FOR DETAILS)	1
4	6537023	CANISTER ASSEMBLY - CHOCOLATE (SEE TABLE 42 FOR DETAILS)	1
5	6237446	CANISTER ASSEMBLY - LIGHTENER (SEE TABLE 44 FOR DETAILS)	1
6	6537025	CANISTER ASSEMBLY - SUGAR (SEE TABLE 45 FOR DETAILS)	1
7	6537024	CANISTER ASSEMBLY - SOUP/6TH PROD	1
8	6537022	CANISTER ASSEMBLY - COFFEE PRE-GROUND (SEE TABLE 47 FOR DETAILS)	OPT.
	6337023	CANISTER ASSEMBLY - DECAF COFFEE PRE-GROUND	

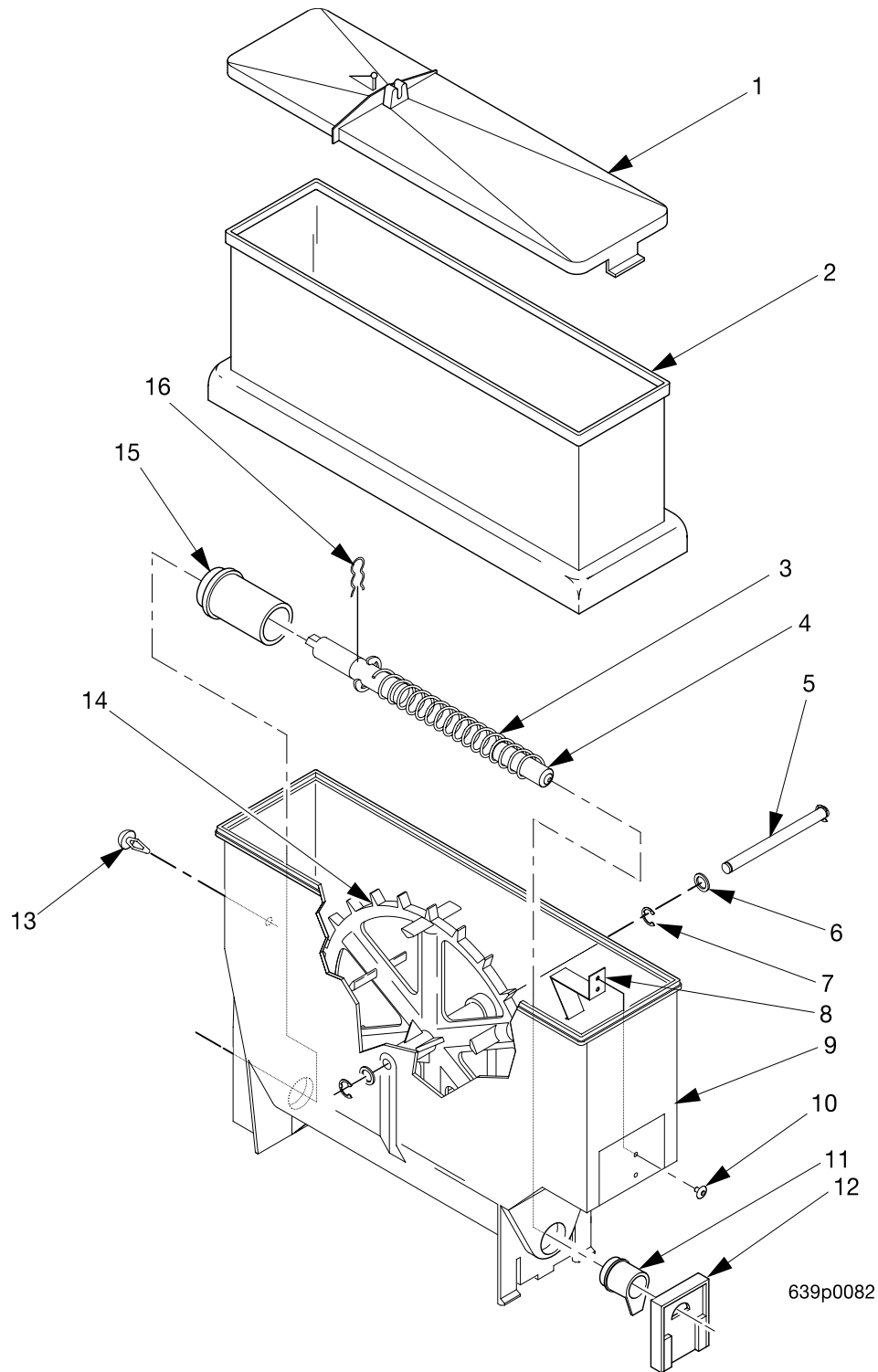


FIGURE 42: CANISTER ASSEMBLY - CHOCOLATE

TABLE 42: CANISTER ASSEMBLY - CHOCOLATE

INDEX	PART NUMBER	DESCRIPTION	QTY.
--	6537023	CANISTER ASSEMBLY - CHOCOLATE	--
1	6237023	LID - CANISTER	1
2	6237439	SLEEVE - CANISTER	1
3	6537018	AUGER AND SHAFT ASSEMBLY (INCLUDES THE NEXT 3 ITEMS)	1
--	6237025	RETAINING RING - "E"-.500	1
4	6537021	PLUG - AUGER	1
5	6237167	SHAFT - CANISTER	1
6	6237116	WASHER - SEAL - WEAR PLATE	2
7	9900415	RETAINING RING REINF E TYP.1	2
8	6237108	SPRING - THUMPER	1
9	6237177	BASE - CANISTER - THUMPER	1
10	6537026	ALUMINUM CAP RIVET - .187 DIA	2
11	6537014	NOZZLE - DISPENSING - F.D. COFFEE	1
12	6537013	GATE - NOZZLE - PLASTIC	1
13	6237053	FASTENER - PUSH IN	1
14	6237181	MIXING WHEEL	1
15	6237014	BEARING - CANISTER	1
16	6337020	CLIP - SPRING	1

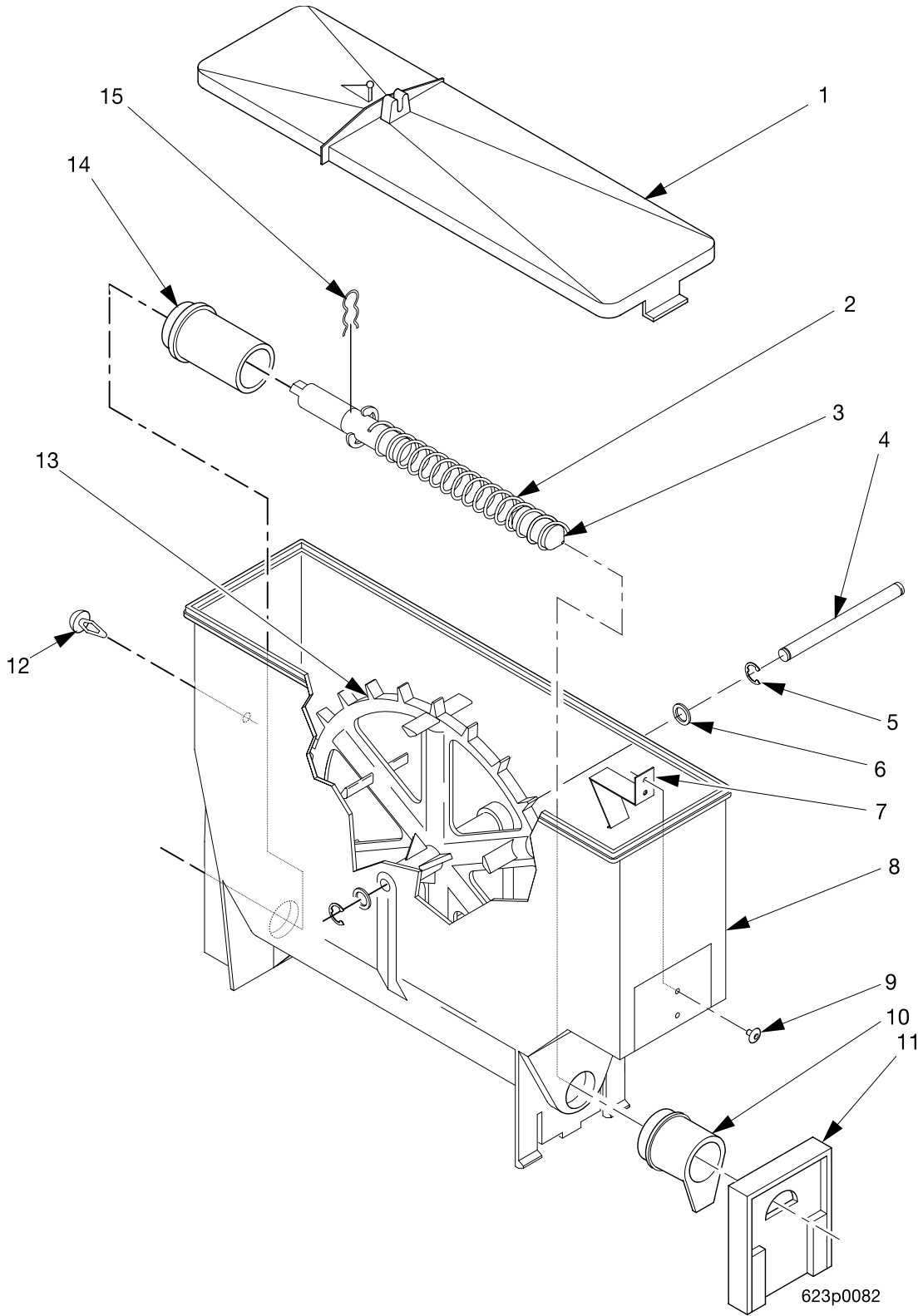
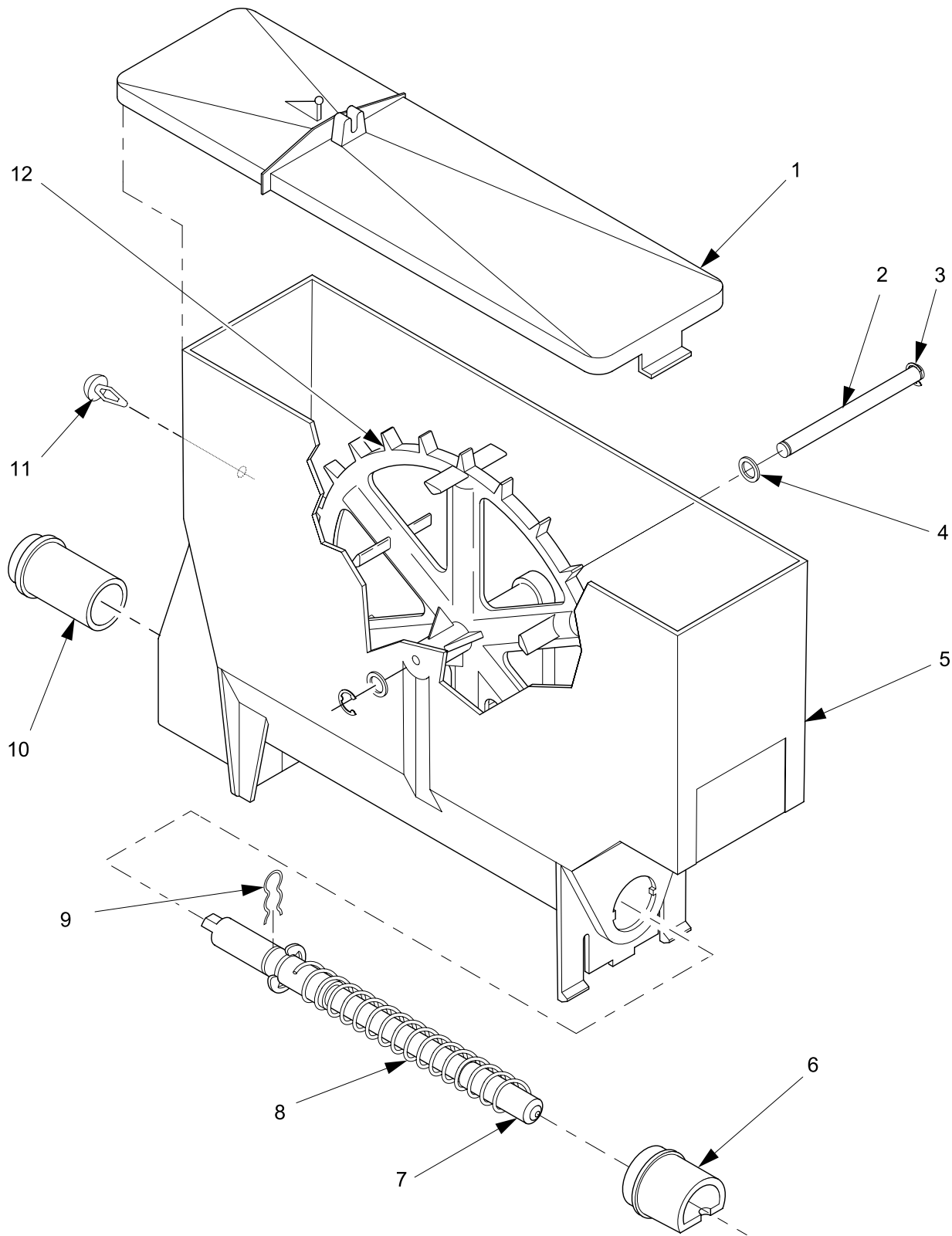


FIGURE 43: CANISTER ASSEMBLY - OPTIONAL PRODUCT OR DECAF

TABLE 43: CANISTER ASSEMBLY - OPTIONAL PRODUCT OR DECAF

INDEX	PART NUMBER	DESCRIPTION	QTY.
--	6537024	CANISTER ASSEMBLY - SOUP/6TH PRODUCT	--
1	6237023	LID - CANISTER	1
2	6537018	AUGER AND SHAFT ASSEMBLY (INCLUDES THE NEXT 3 ITEMS)	1
--	6537017	AUGER - CANISTER	1
--	6237025	RETAINING RING - "E"-.500	1
--	6337016	SHAFT - AUGER - LONG	1
3	6537021	PLUG - AUGER	1
4	6237167	SHAFT - CANISTER	1
5	9900415	RETAINING RING REINF E TYP.1	2
6	6237116	WASHER - SEAL - WEAR PLATE	2
7	6237108	SPRING - THUMPER	1
8	6237177	BASE - CANISTER - THUMPER	1
9	6537026	ALUMINUM CAP RIVET - .187 DIA	2
10	6537014	NOZZLE - DISPENSING - CANISTER	1
11	6537013	GATE - NOZZLE - PLASTIC	1
12	6237053	FASTENER - PUSH IN	1
13	6237181	MIXING WHEEL	1
14	6237014	BEARING - CANISTER	1
15	6337020	CLIP - SPRING	1



673p0058

FIGURE 44: CANISTER ASSEMBLY - LIGHTENER

TABLE 44: CANISTER ASSEMBLY - LIGHTENER

INDEX	PART NUMBER	DESCRIPTION	QTY.
--	6237446	CANISTER ASSEMBLY - LIGHTENER	--
1	6237023	LID - CANISTER	1
2	6237167	SHAFT - CANISTER	1
3	9900415	RETAINING RING REINF E TYP.1	2
4	6237116	WASHER - SEAL - WEAR PLATE	2
5	6237176	BASE - CANISTER	1
6	6237106	NOZZLE - DISPENSING - CANISTER	1
	6237063	NOZZLE - DISPENSING - CANISTER	
7	6337016	SHAFT - AUGER - LONG	1
8	6237129	AUGER - CANISTER	1
9	6337020	CLIP - SPRING	1
10	6237014	BEARING - CANISTER	1
11	6237053	FASTENER - PUSH IN	1
12	6237181	MIXING WHEEL	1

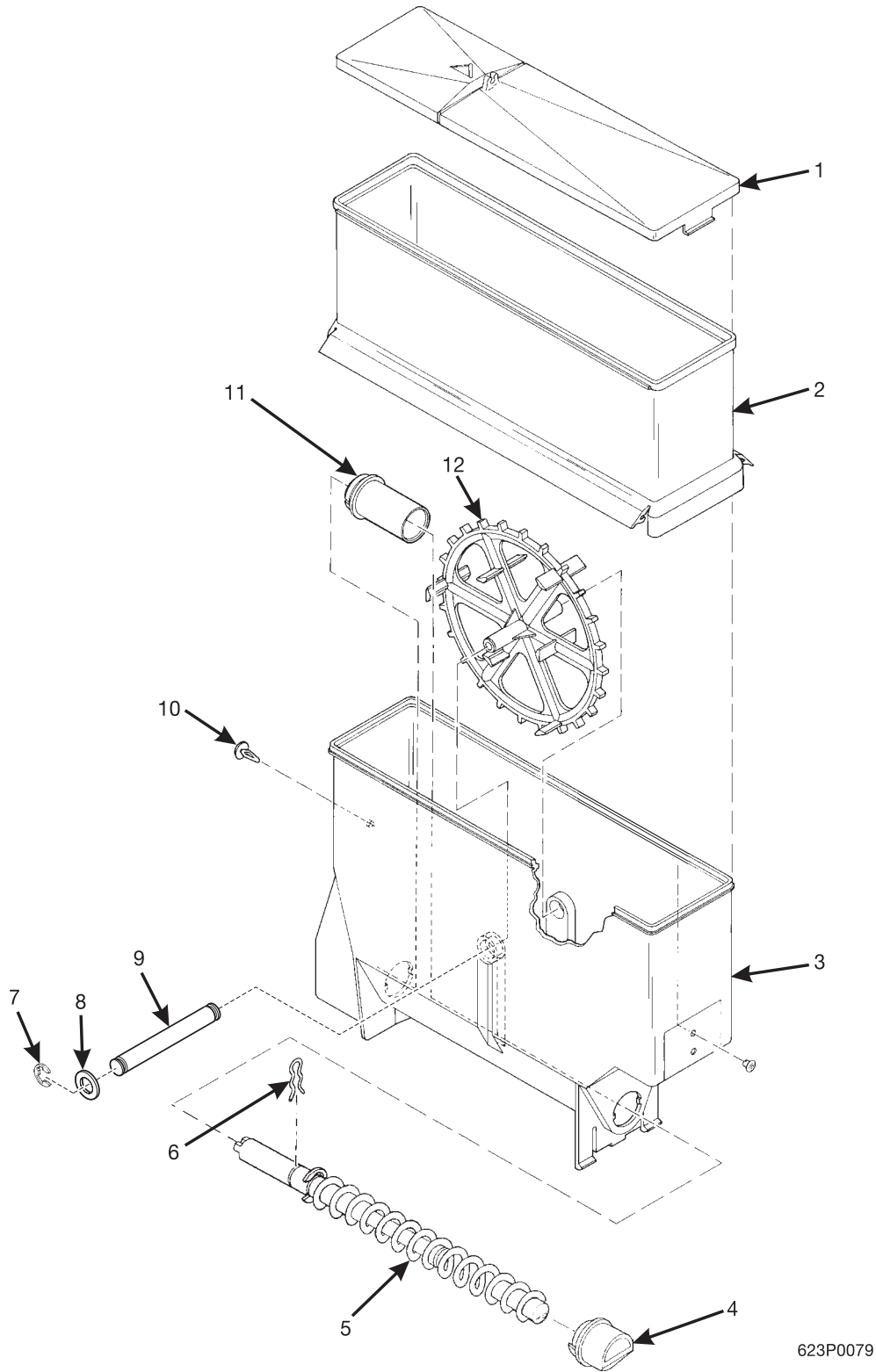


FIGURE 45: CANISTER ASSEMBLY - SUGAR

TABLE 45: CANISTER ASSEMBLY - SUGAR

INDEX	PART NUMBER	DESCRIPTION	QTY.
--	6537025	CANISTER ASSEMBLY - 1 SLV - W/MIXING	--
1	6237023	LID - CANISTER	1
2	6237008	SLEEVE - CANISTER 4 IN	1
3	6237176	BASE - CANISTER	1
4	6237063	NOZZLE - DISPENSING - CANISTER	1
5	6537018	AUGER AND SHAFT ASSEMBLY (INCLUDES THE NEXT 3 ITEMS)	1
--	6537017	AUGER - CANISTER	1
--	6237025	RETAINING RING-"E"-.500	1
--	6337016	SHAFT - AUGER - LONG	1
6	6337020	CLIP - SPRING	1
7	9900415	RETAINING RING REINF E TYP.1	2
8	6237116	WASHER - SEAL - WEAR PLATE	2
9	6237167	SHAFT - CANISTER	1
10	6237053	FASTENER - PUSH IN	1
11	6237014	BEARING - CANISTER	1
12	6237181	MIXING WHEEL	1

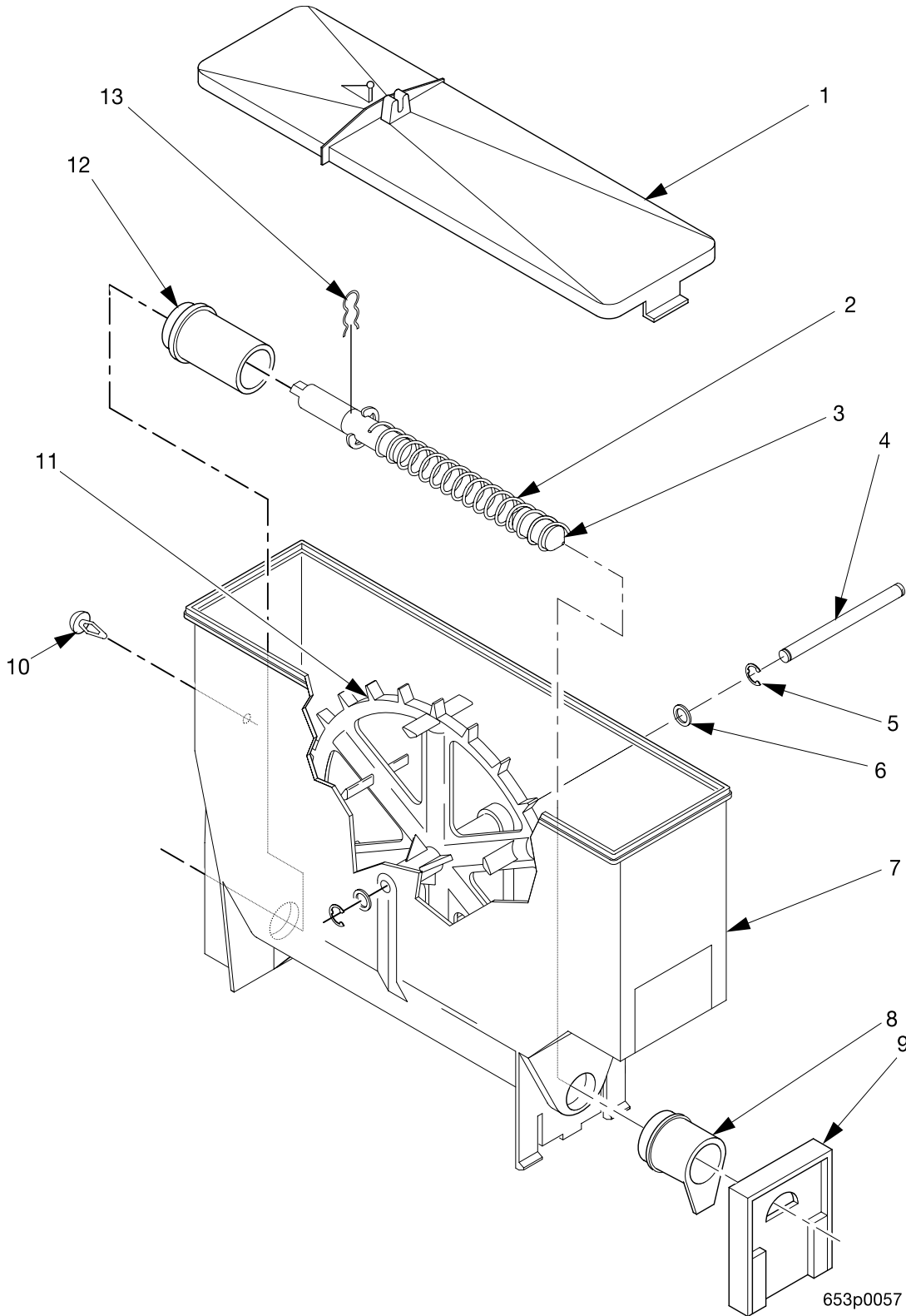


FIGURE 46: CANISTER ASSEMBLY - FREEZE DRIED COFFEE

TABLE 46: CANISTER ASSEMBLY - FREEZE DRIED COFFEE

INDEX	PART NUMBER	DESCRIPTION	QTY.
--	6537022	CANISTER ASSEMBLY - FREEZE DRIED COFFEE	--
1	6237023	LID - CANISTER	1
2	6537018	AUGER AND SHAFT ASSEMBLY (INCLUDES THE NEXT 3 ITEMS)	1
3	6537021	PLUG - AUGER	1
4	6237167	SHAFT - CANISTER	1
5	9900415	RETAINING RING REINF TYP.1	2
6	6237116	WASHER - SEAL - WEAR PLATE	2
7	6237176	BASE - CANISTER	1
8	6537014	NOZZLE - DISPENSING - CANISTER	1
9	6537013	GATE - NOZZLE - PLASTIC	1
10	6237053	FASTENER - PUSH IN	1
11	6237181	MIXING WHEEL	1
12	6237014	BEARING - CANISTER	1
13	6337020	CLIP - SPRING	1

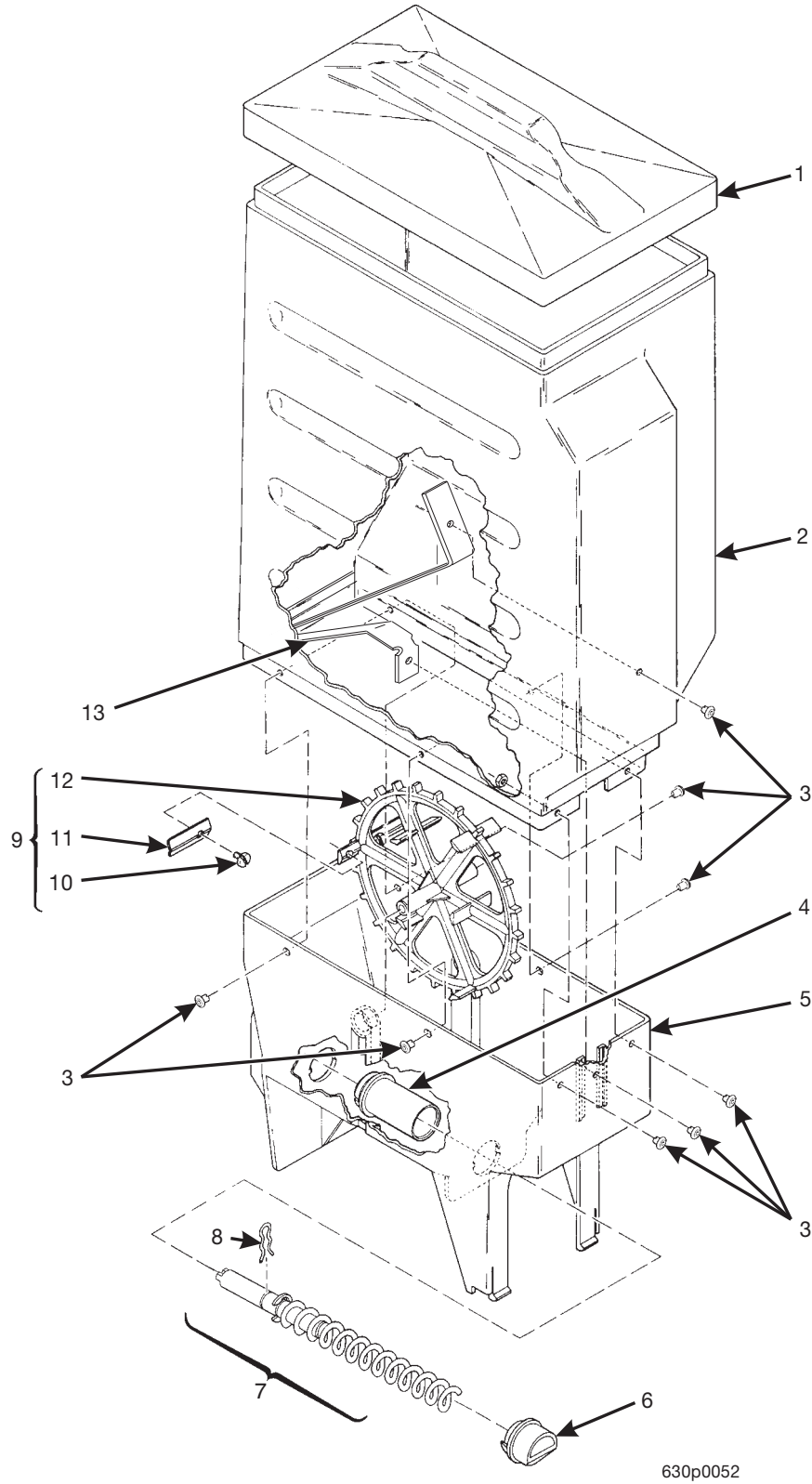


FIGURE 47: CANISTER ASSEMBLY - FRESH BREW COFFEE

TABLE 47: CANISTER ASSEMBLY - FRESH BREW COFFEE

INDEX	PART NUMBER	DESCRIPTION	QTY.
--	6337022	CANISTER ASSEMBLY - COFFEE PRE-GROUND FRESH BREW (SEE TABLE 47 FOR DETAILS)	--
1	6237066	LID - CANISTER	1
2	6337024	SLEEVE - CANISTER	1
3	6537026	ALUMINUM CAP RIVET - .187 DIA	12
4	6237014	BEARING - CANISTER	1
5	6337021	CANISTER BASE - FRESH BREW COFFEE	1
	6237062	CANISTER BASE - COFFEE	
6	6237063	NOZZLE - DISPENSING - CANISTER	1
7	6237095	AUGER AND SHAFT ASSEMBLY (CONTAINS TWO ITEMS BELOW)	1
--	6237045	AUGER - CANISTER - COFFEE	--
--	6237097	SHAFT - AUGER	--
8	6337020	CLIP - SPRING	1
9	6337030	MIXING WHEEL ASSEMBLY (INCLUDES INDEX NUMBERS 10 -12)	1
10	6537026	ALUMINUM CAP RIVET - .187 DIA	2
11	6337087	EXTENSION - WHEEL - FRESH BREW COFFEE	2
12	6337086	MIXING WHEEL - FRESH BREW COFFEE	1
13	6237020	SPRING - GROUND COFFEE	1

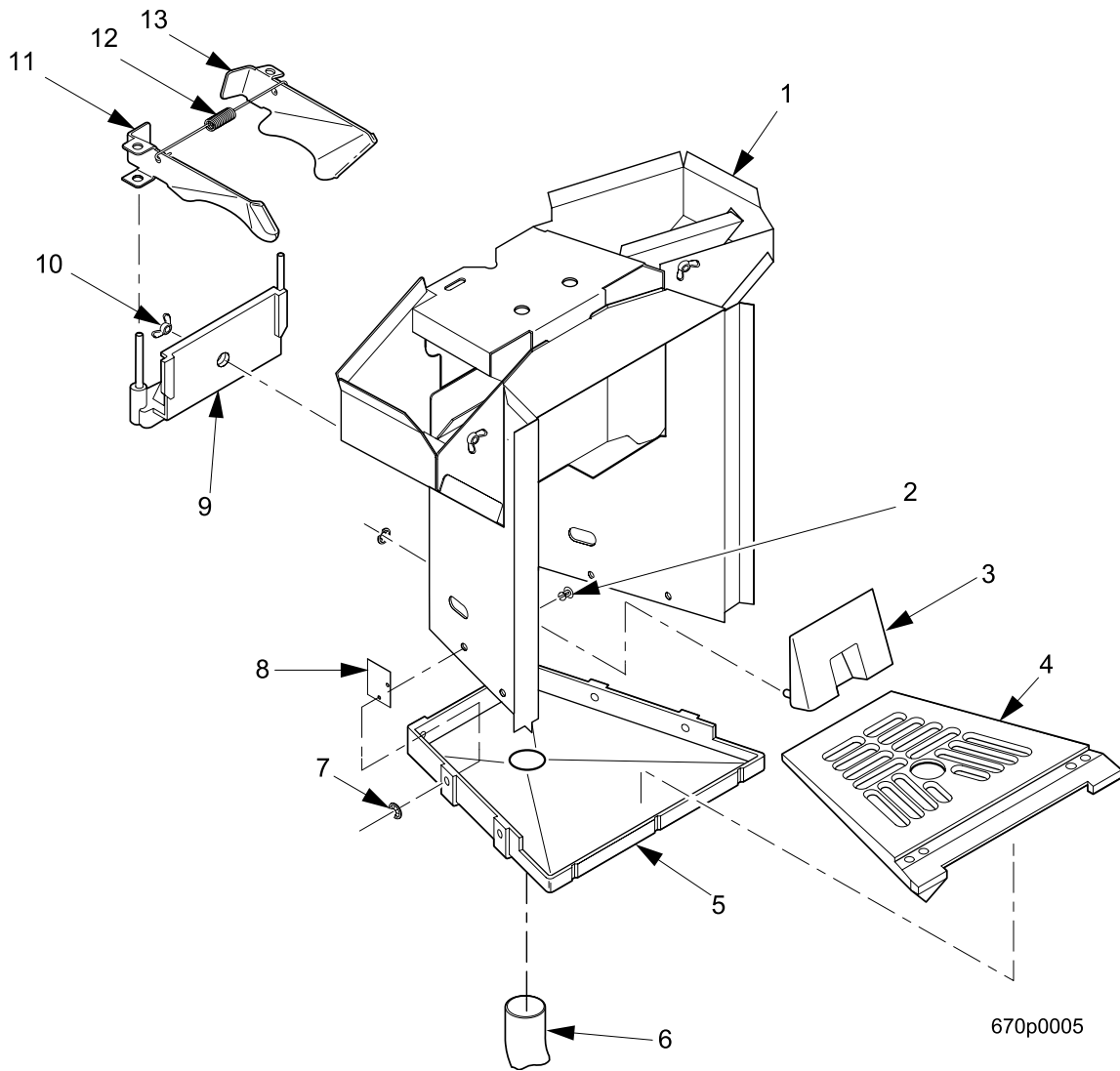
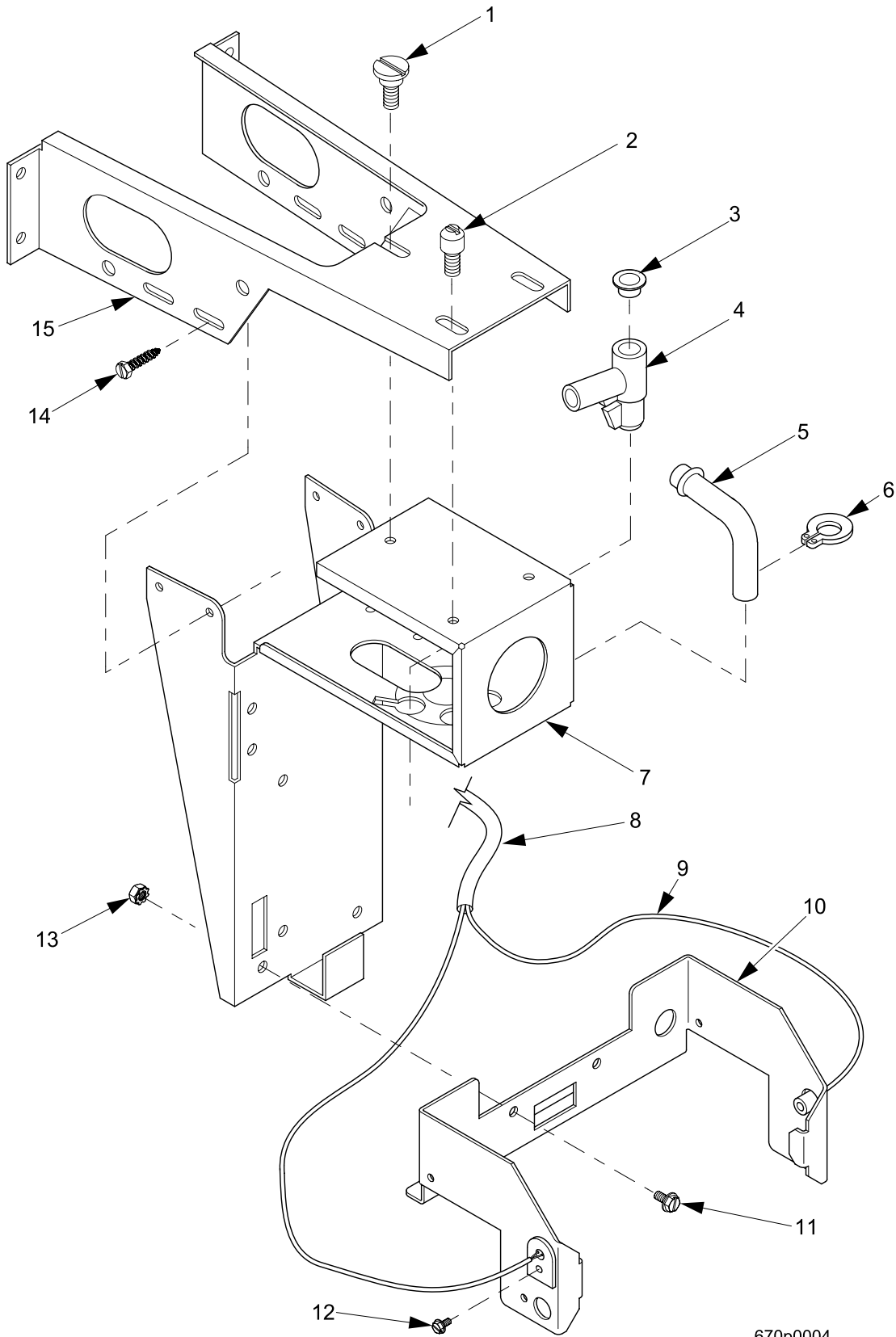


FIGURE 48: CUP DELIVERY ASSEMBLY

TABLE 48: CUP DELIVERY ASSEMBLY

INDEX	PART NUMBER	DESCRIPTION	QTY.
--	6701009	CUP DELIVERY ASSEMBLY - FINAL POSIVEND	--
	6701010	CUP DELIVERY ASSEMBLY - POSIVEND	
1	6701001	WELD ASSEMBLY - CUP DELIVERY	1
2	6231492	PUSH-IN FASTENER	6
3	6231443	CUP SPACER/SENSOR LENS	1
4	6231432	DRAIN TRAY	1
5	6231489	BASE - CUP DELIVERY STATION	1
6	6231430	TUBE - DRAIN	1
7	6231431	RETAINER - .188	10
8	3281084	GUARD - IR SPLASH	2
9	6231488	MOUNTING ASSEMBLY - CUP DEFLECTOR	1
10	3103133	WING NUT - #8-32 STAINLESS	1
11	6231438	CUP DEFLECTOR - RIGHT	1
12	6231495	SPRING - CUP DEFLECTOR	1
13	6231439	CUP DEFLECTOR - LEFT	1



670p0004

FIGURE 49: CUP STATION SUPPORT

TABLE 49: CUP STATION SUPPORT

INDEX	PART NUMBER	DESCRIPTION	QTY.
--	6551014	SUPPORT ASSEMBLY - CUP STATION	--
1	4247204	STUD - STORAGE TRAY	1
2	4041102	STUD - COLUMN LOCATOR	1
3	4711020	CAPLUG - SPOUT	4
4	6117010	SPOUT - DISPENSING	4
5	6407029	NOZZLE-HOT WATER	1
6	6407030	RETAINING RING-SELF LOCKING	1
7	6551006	CUP STATION SUPPORT	1
--	6701009	CUP DELIVERY ASSEMBLY - FINAL - PV (INCLUDES ITEMS 8-11, 14)	--
8	6559011	HARNESS - JUMPER TO I/O BOARD	1
9	6559010	HARNESS ASSEMBLY - IR PAIR	1
10	3281085	BRACKET-IR REMOTE	1
11	1170206	SCREW-#8-32X3/8 PHILLIPS TRUSS HD.BLACK	2
12	1451097	SCREW - #8-32 X .31 HEX HD	2
13	9900081	NUT #8-32 KEPS ZINC PLATE	2
14	1451097	SCREW - #8-32 X .31 HEX HD	4
15	6398136	SUPPORT - CUP STATION - EUROTWIN	1

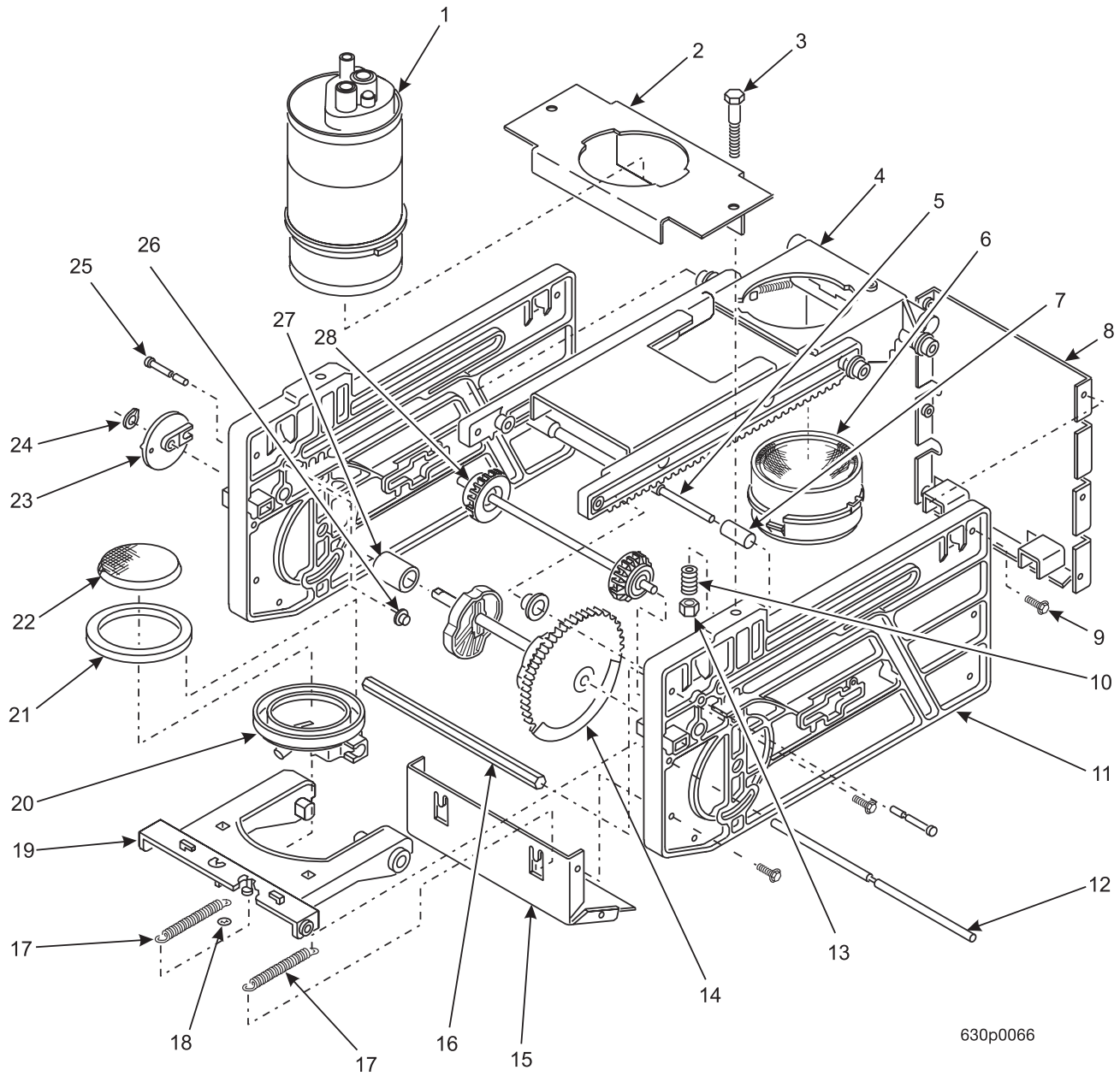


FIGURE 50: SINGLE BREWER ASSEMBLY (WITHOUT FILTER)

TABLE 50: SINGLE BREWER ASSEMBLY (WITHOUT FILTER)

INDEX	PART NUMBER	DESCRIPTION	QTY.
--	6234010	SINGLE BREWER ASSEMBLY - NO FILTER	--
1	6234328	BARREL ASSEMBLY - BREWER (SEE TABLE 53 FOR DETAILS)	1
2	6234301	BARREL - SUPPORT - BREWER	1
3	6234288	BOLT - 1/4-20 X 1 1/2	2
4	6234001	RACK ASSEMBLY (SEE TABLE 54 FOR DETAILS)	1
5	6234271	SHAFT - FLIP STOP	1
6	6534000	BASKET - BREWER	1
7	6234270	ROLLER - STOP	2
8	6234215	WALL ASSEMBLY - REAR	1
9	6234295	SCREW - #8-32 X .38 HHS W.LW	12
10	6234225	SPRING - BREWER	2
11	6234273	SIDEWALL - BREWER	2
12	6234308	SHAFT - SWING ARM	1
13	6234289	LOCKNUT - #1/4-20	2
14	6234008	GEAR AND CAM ASSEMBLY	1
15	6234220	WALL ASSEMBLY - BOTTOM - FRONT	1
16	6234293	SPACER - SINGLE BREWER	1
--	6234200	SWING ARM ASSEMBLY - FINAL (INCLUDES INDEX NUMBERS 17 - 22)	--
17	6234205	EXT. SPRING - SWING ARM	1
18	6234243	SHAFT - RETAINER - .125 DIA.	2
19	6234002	SWING ARM ASSEMBLY	1
20	6234240	FUNNEL - COFFEE	1
21	6234375	SEAL - BREWER	1
22	6334019	FILTER SUPPORT - 30 MESH	1
23	6234310	DRIVE CONNECTION - BREWER	1
24	6234303	RETAINING RING - .375 DIA.	1
25	6234223	PIN - ROLLER - SIDEWALL	2
26	6234222	ROLLER - BREWER	2
27	6234803	SPACER - CAM	1
28	6234007	PINION GEAR ASSEMBLY	1

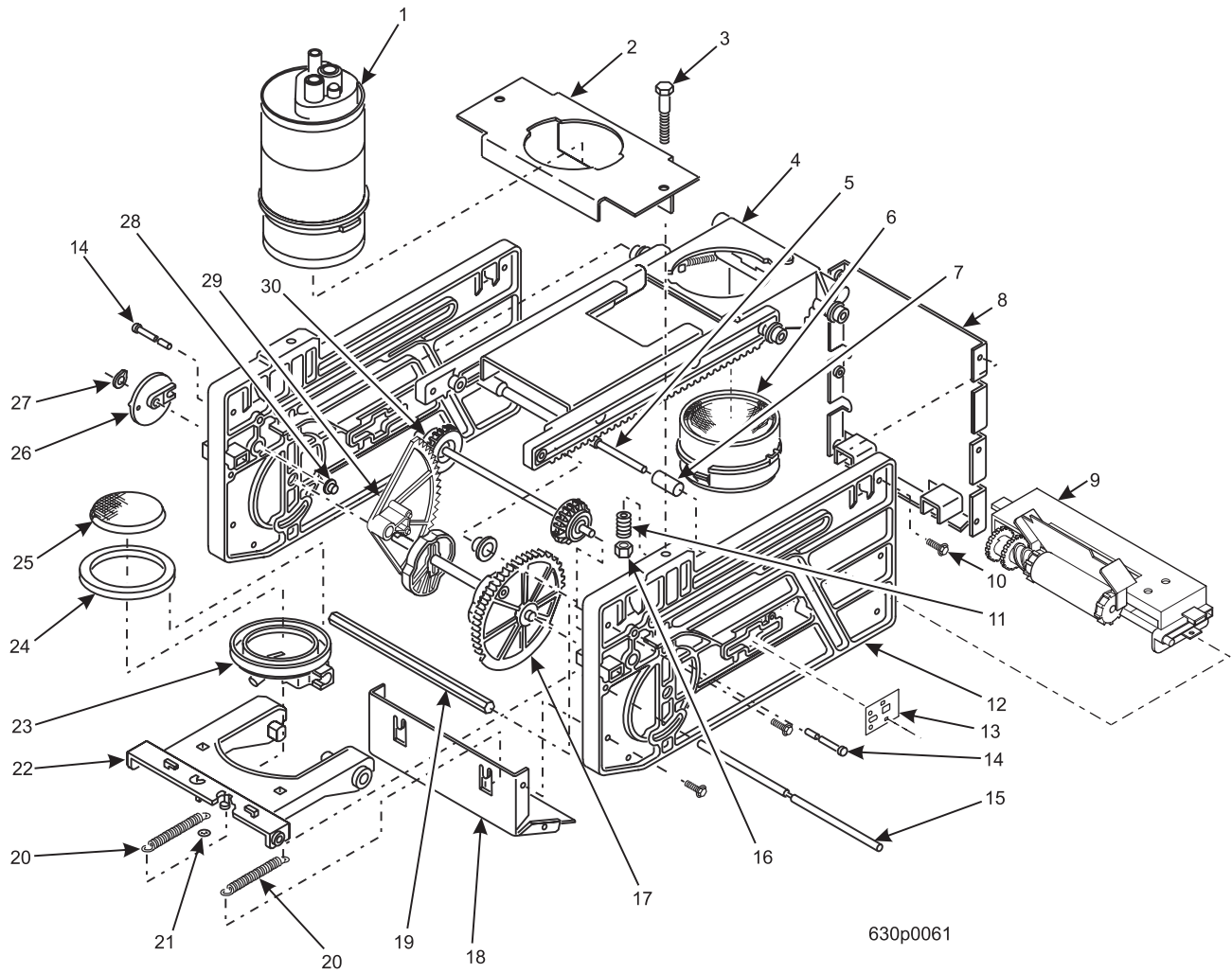


FIGURE 51: SINGLE BREWER ASSEMBLY - (WITH FILTER)

TABLE 51: SINGLE BREWER ASSEMBLY - (WITH FILTER)

INDEX	PART NUMBER	DESCRIPTION	QTY.
--	6234000	SINGLE BREWER ASSEMBLY - WITH FILTER	--
1	6234328	BARREL ASSEMBLY - (SEE TABLE 53 FOR DETAILS)	1
2	6234301	BARREL SUPPORT - BREWER	1
3	6234288	BOLT - 1/4-20 X 1 1/2	2
4	6234001	RACK ASSEMBLY (SEE TABLE 54 FOR DETAILS)	1
5	6234271	SHAFT - FLIP STOP	1
6	6234297	BASKET - BREWER PAPER	1
7	6234270	ROLLER - STOP	2
8	6234215	WALL ASSEMBLY - REAR	1
9	6234600	PAPER MECHANISM ASSEMBLY (SEE TABLE 55 FOR DETAILS)	1
10	6234295	SCREW - #8-32 X .38 HHS W/LW	12
11	6234225	SPRING - BREWER	2
12	6234273	SIDEWALL - BREWER	2
13	6234608	SPRING COVER - PAPER MECH	2
14	6234223	PIN - ROLLER - SIDEWALL	2
15	6234308	SHAFT - SPRING ARM	1
16	6234289	LOCKNUT - #1/4-20	2
17	6234008	GEAR AND CAM ASSEMBLY	1
18	6234220	WALL ASSEMBLY - BOTTOM FRONT	1
19	6234293	SPACER - SINGLE BREW	1
--	6234200	SWING ARM ASSEMBLY (INCLUDES INDEX NUMBERS 20 - 25)	--
20	6234205	EXT. SPRING - SWING ARM	2
21	6234243	SHAFT - RETAINER - .125 DIA	2
22	6234002	SWING ARM ASSEMBLY	1
23	6234240	FUNNEL - COFFEE	1
24	6234375	SEAL - BREWER	1
25	6334019	FILTER SUPPORT - 30 MESH	1
26	6234310	DRIVE CONNECTION - BREWER	1
27	6234303	RETAINING RING - .375 DIA.	1
28	6234222	ROLLER - BREWER	2
29	6234601	RATCHET DRIVE - PAPER MECHANISM	1
30	6234007	PINION GEAR ASSEMBLY	1

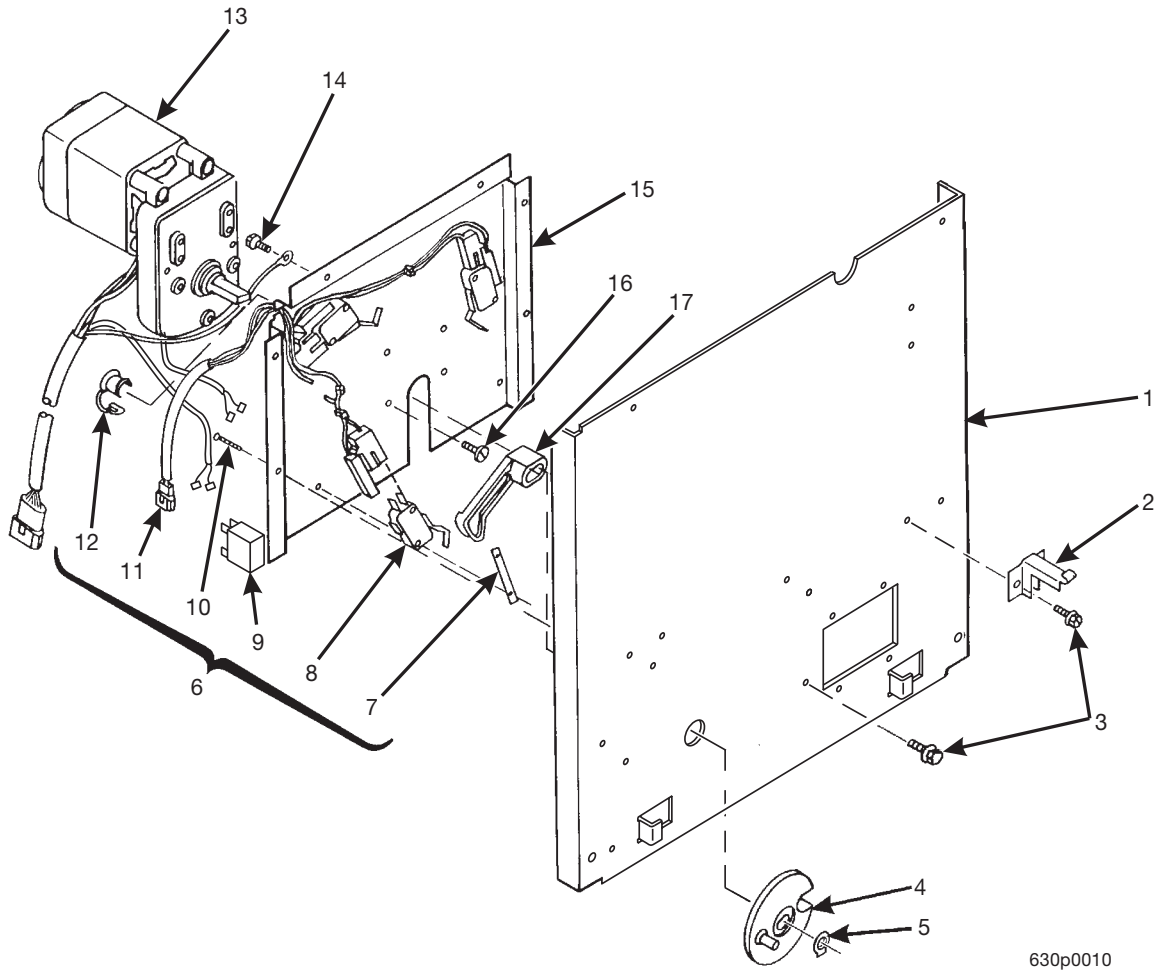


FIGURE 52: BREWER DRIVE ASSEMBLY

TABLE 52: BREWER DRIVE ASSEMBLY

INDEX	PART NUMBER	DESCRIPTION	QTY.
--	6334005	BREWER DRIVE ASSEMBLY - 115 V	--
1	6734012	PANEL - MOUNTING	1
2	6234294	MOUNTING BRACKET - BREWER	1
3	1451097	SCREW - #8-32 X .31 HX HD	-
4	6234310	DRIVE CONNECTION - BREWER	1
5	6234303	RETAINING RING	1
6	6334007	SWITCH/MOTOR ASSEMBLY - 115 V (INCLUDES INDEX NUMBERS 7 - 17)	1
7	1217159	NUT PLATE - #4-40 KEPS W/EXT L/WAS H ZP	1
8	6234279	SWITCH - BREWER	1
9	9988208	CAPACITOR - MOTOR RUN - 17UF	1
10	1217160	SCREW - #4-40 X 5/8	2
11	6239016	HARNESS - BREWER SWITCH	1
12	9985887	BUSHING - STRAIN RELIEF	1
13	6334012	MOTOR - BREWER - 115 V	1
14	3157060	SCREW - #8-32 X .31 HEX W/ HD. SLOTTED-T/F-ZINC PL	--
15	6334018	HOUSING - SWITCH & BREWER MOTOR	1
16	4245186	SCREW - #8-32 X 1/4 PHS	1
17	6234515	SWITCH ACTUATOR - BREWER	1

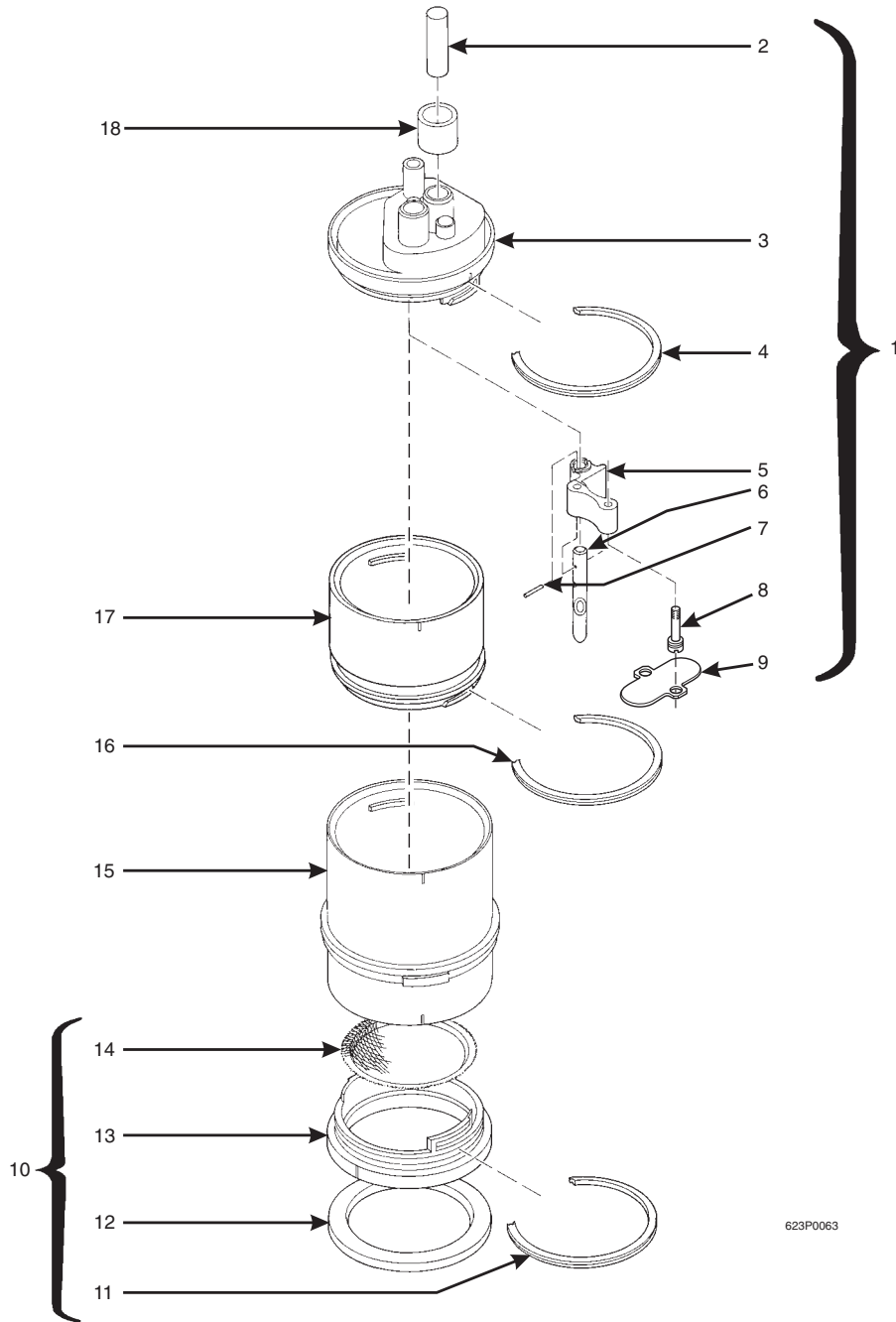
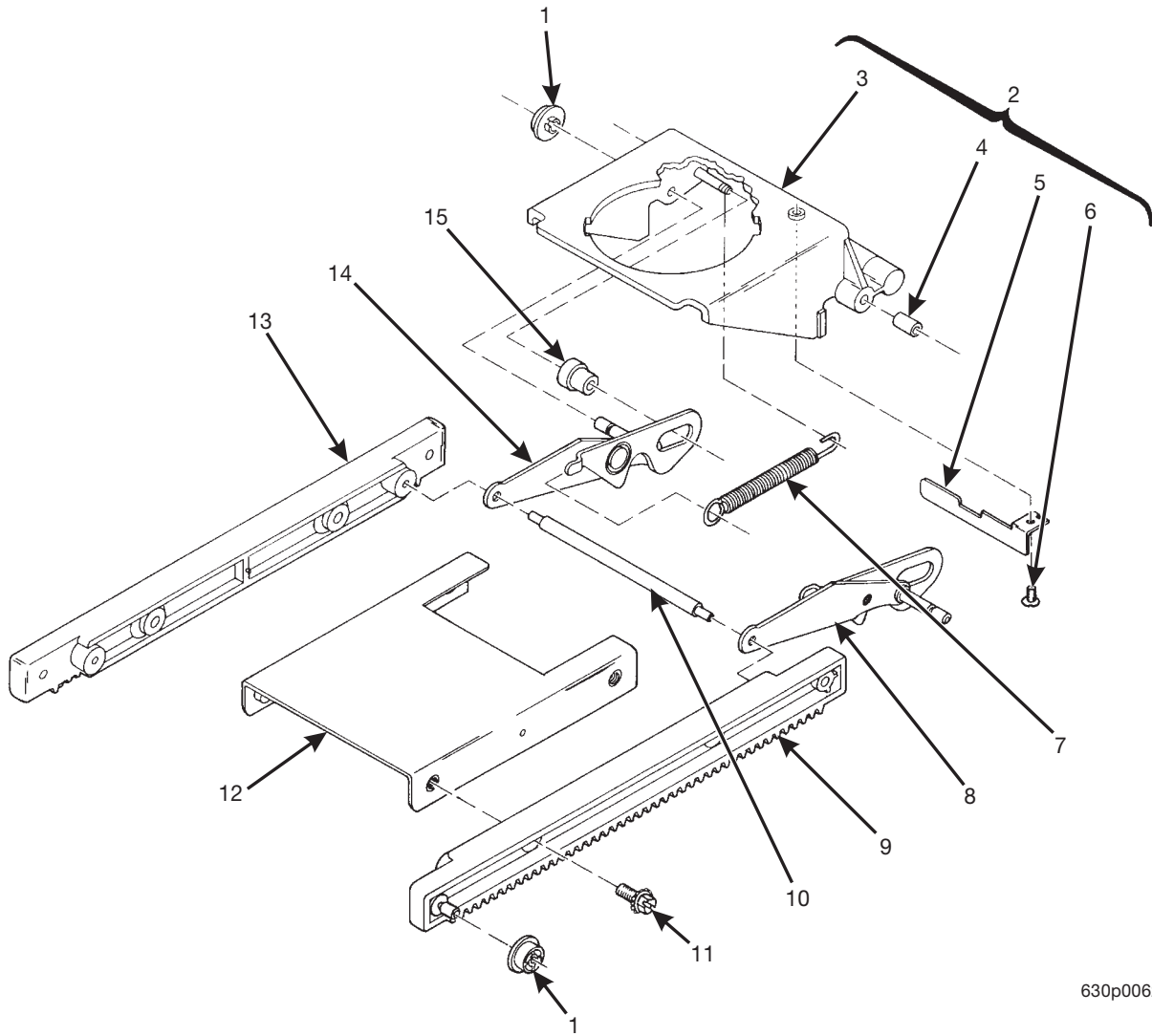


FIGURE 53: BARREL ASSEMBLY - SINGLE BREWER

TABLE 53: BARREL ASSEMBLY - SINGLE BREWER

INDEX	PART NUMBER	DESCRIPTION	QTY.
--	6234328	BARREL ASSEMBLY - SINGLE BREWER	--
1	6134152	MANIFOLD ASSEMBLY - HOSE - BREW BARREL (INCLUDES INDEX NUMBERS 2 - 9)	1
2	6134192	PLUG BREWER MANIFOLD	1
3	6134178	MANIFOLD AND INSERT ASSEMBLY - BREWER	1
4	6104193	QUAD RING SEAL	1
5	6204229	DEFLECTOR - MANIFOLD	1
6	6134197	TUBE - AIR JET	1
7	6106107	ROLL PIN	1
8	6134173	SHOULDER SCREW	2
9	6134155	VALVE - MANIFOLD - BREWER BARREL	1
10	6234305	LOWER INSERT ASSEMBLY - BREWER BARREL (INCLUDES INDEX NUMBERS 11 - 14)	1
11	6104193	QUAD RING SEAL	1
12	6234375	SEAL - BREWER	1
13	6104181	LOWER INSERT - BREWER BARREL	1
14	6234302	SCREEN - BREWER BARREL	1
15	6104184	BREWER BARREL	1
16	6104193	QUAD RING SEAL	1
17	6234213	EXTENSION - BREWER BARREL	1
18	6234207	TUBE - .375 ID X .562 OD X .75L	1

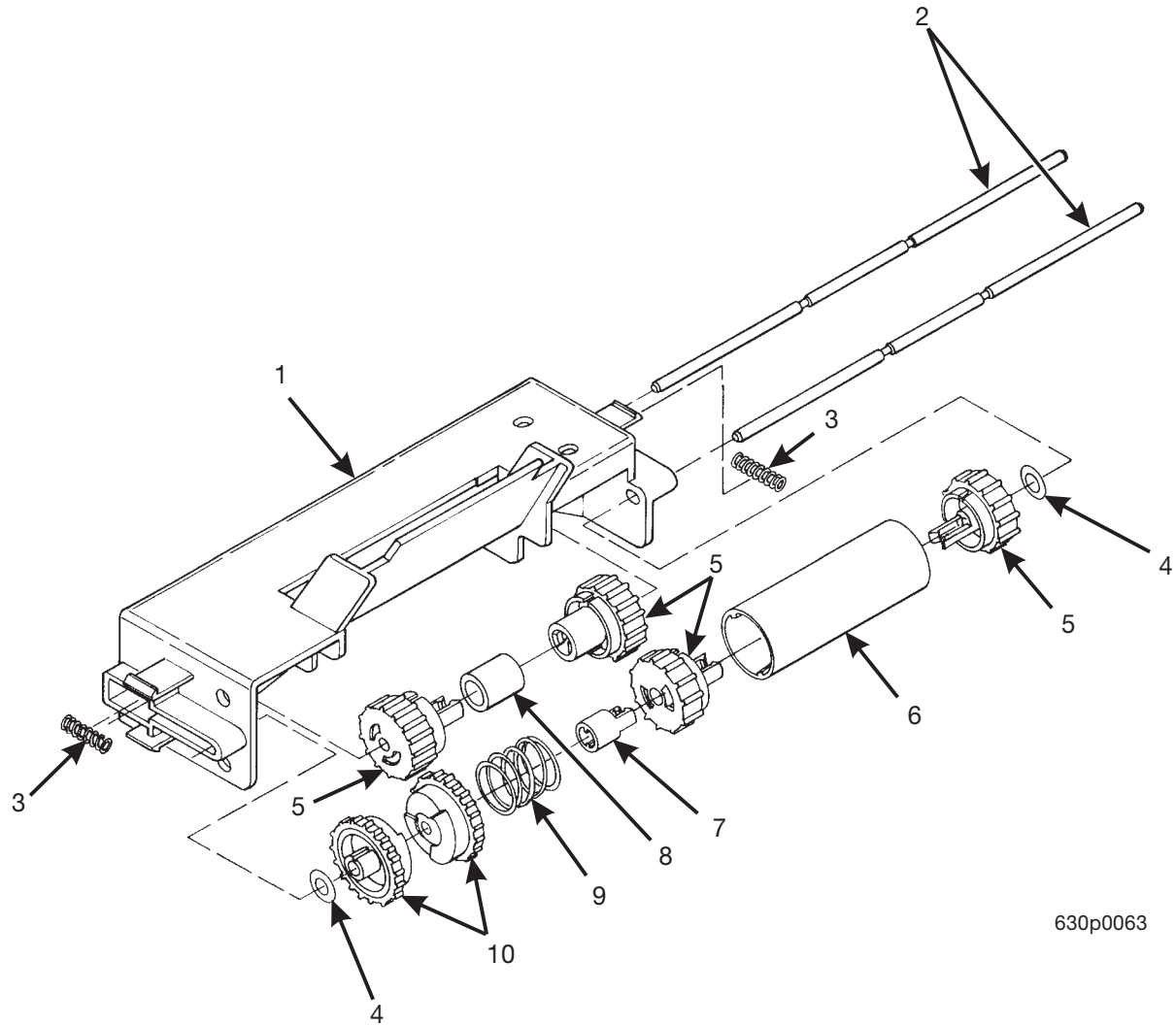


630p0062

FIGURE 54: RACK ASSEMBLY

TABLE 54: RACK ASSEMBLY

INDEX	PART NUMBER	DESCRIPTION	QTY.
--	6234001	RACK ASSEMBLY - BREWER	--
1	6234222	ROLLER - BREWER	4
2	6234116	BASKET HOUSING ASSEMBLY (INCLUDES INDEX NUMBERS 3-6)	1
3	6234250	BASKET HOUSING AND WIPER ASSEMBLY	1
4	6234278	BEARING - RETURN LEVER ROLLER	2
5	6234118	FLAT SPRING - BASKET HOUSING	1
6	6204211	SCREW - #6-32 X 1/4 PHS T/C SS	1
7	6234256	SPRING - FLIP	2
8	6234261	ROLLER LINKAGE ASSEMBLY - RIGHT	1
9	6234275	RACK ASSEMBLY - RIGHT - BREWER	1
10	6234110	SHAFT - FLIP	1
11	6234295	SCREW - #8-32 X .38 HHS W/LW	4
12	6234120	BRACKET ASSEMBLY - RACK	1
13	6234274	RACK ASSEMBLY - LEFT - BREWER	1
14	6234260	ROLLER LINKAGE ASSEMBLY - LEFT	1
15	6234292	RETURN LEVER ROLLER ASSEMBLY	2

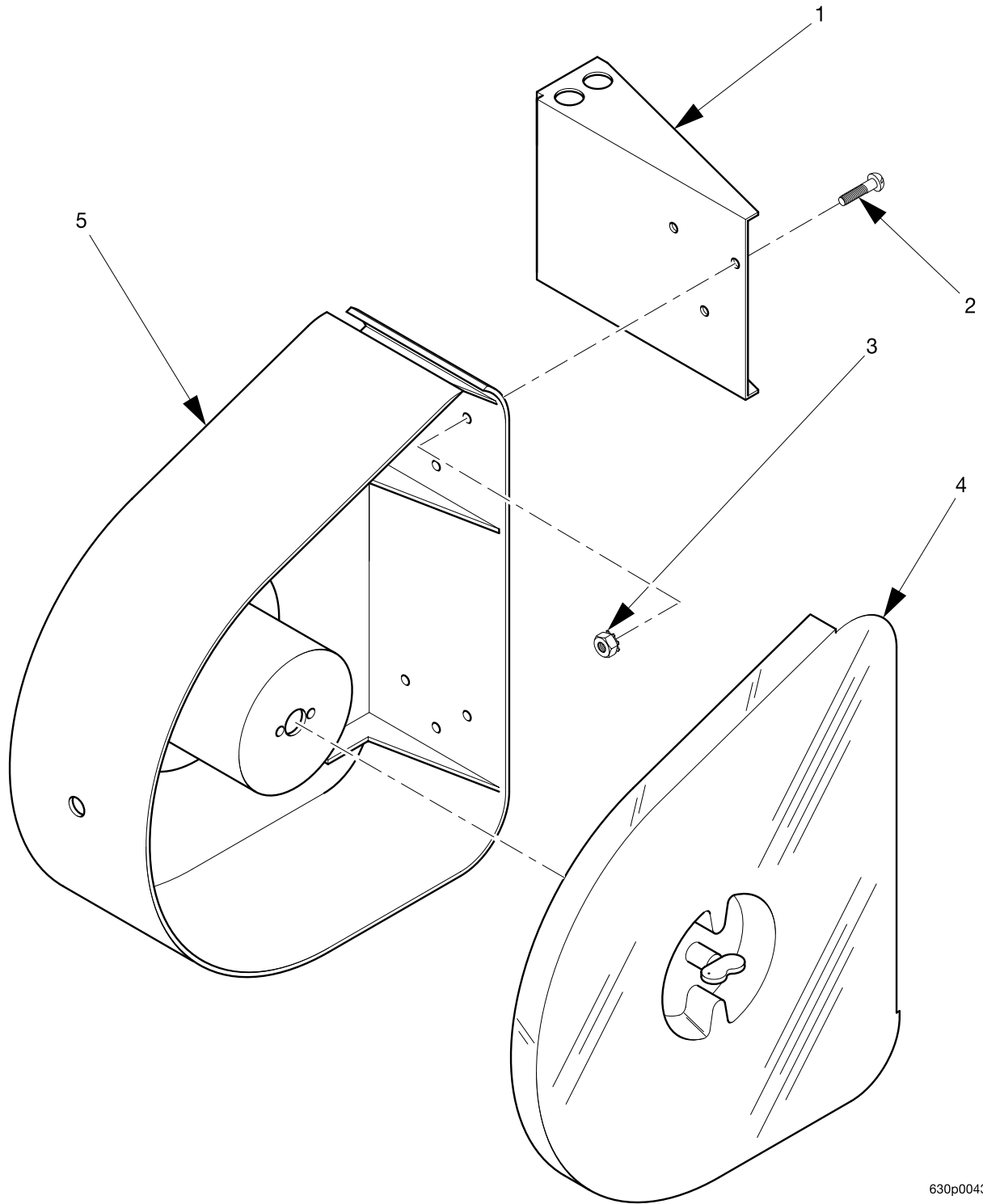


630p0063

FIGURE 55: PAPER MECHANISM ASSEMBLY - SINGLE BREWER WITH FILTER

TABLE 55: PAPER MECHANISM ASSEMBLY - SINGLE BREWER WITH FILTER

INDEX	PART NUMBER	DESCRIPTION	QTY.
--	6234600	PAPER MECHANISM ASSEMBLY - SINGLE BREWER	--
1	6234626	PAPER MECHANISM HOUSING	1
2	6234612	SHAFT - PAPER MECHANISM	2
3	6234614	COMPRESSION SPRING - PAPER MECHANISM SHAFT	2
4	6234628	WASHER - PAPER MECHANISM	2
5	6234620	ROLLER END CAP - PAPER MECHANISM	4
6	6234619	PAPER ROLLER EXTRUSION	1
7	6234603	ROLLER DRIVE - PAPER MECHANISM	1
8	6234634	TUBE - 6108098 - .50 LG.	2
9	6234615	SPRING - PAPER MECHANISM RATCHET	1
10	6234607	RATCHET - PAPER MECH.	2



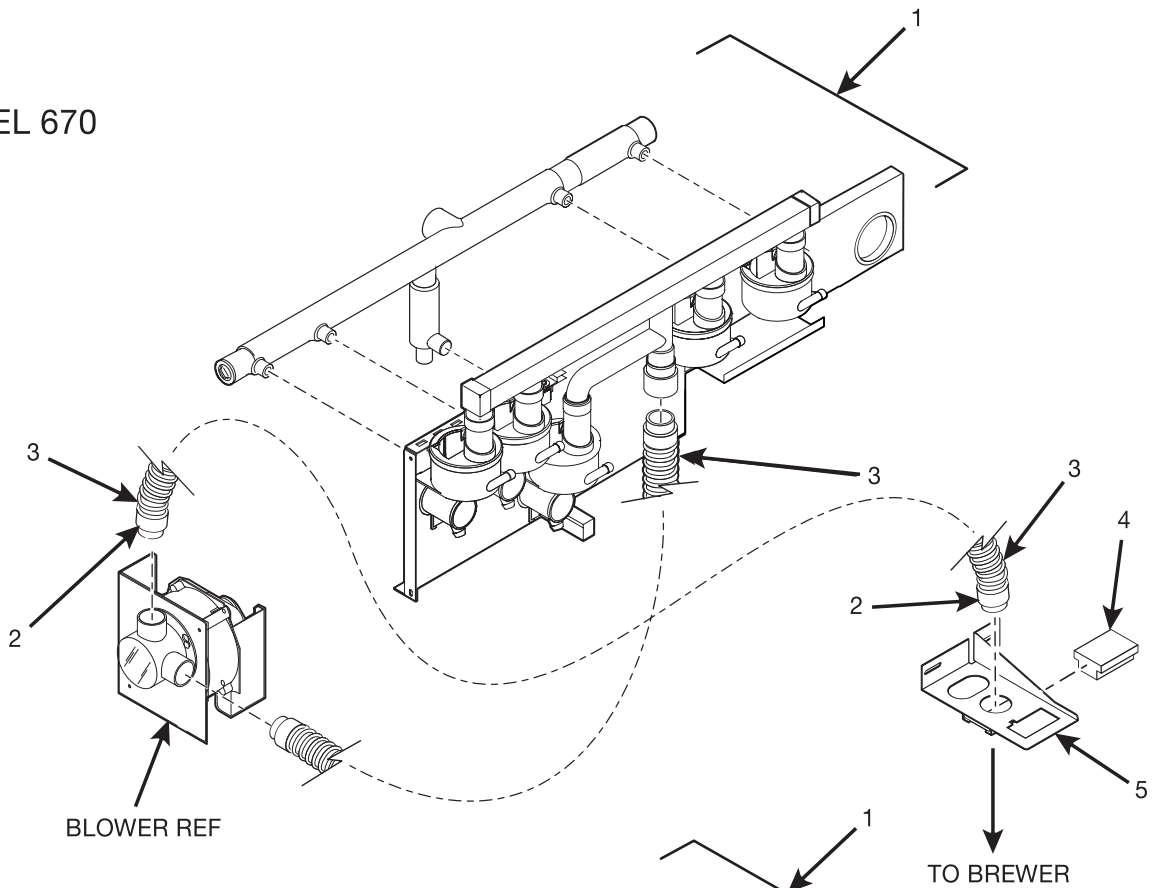
630p0043

FIGURE 56: FILTER PAPER HOUSING

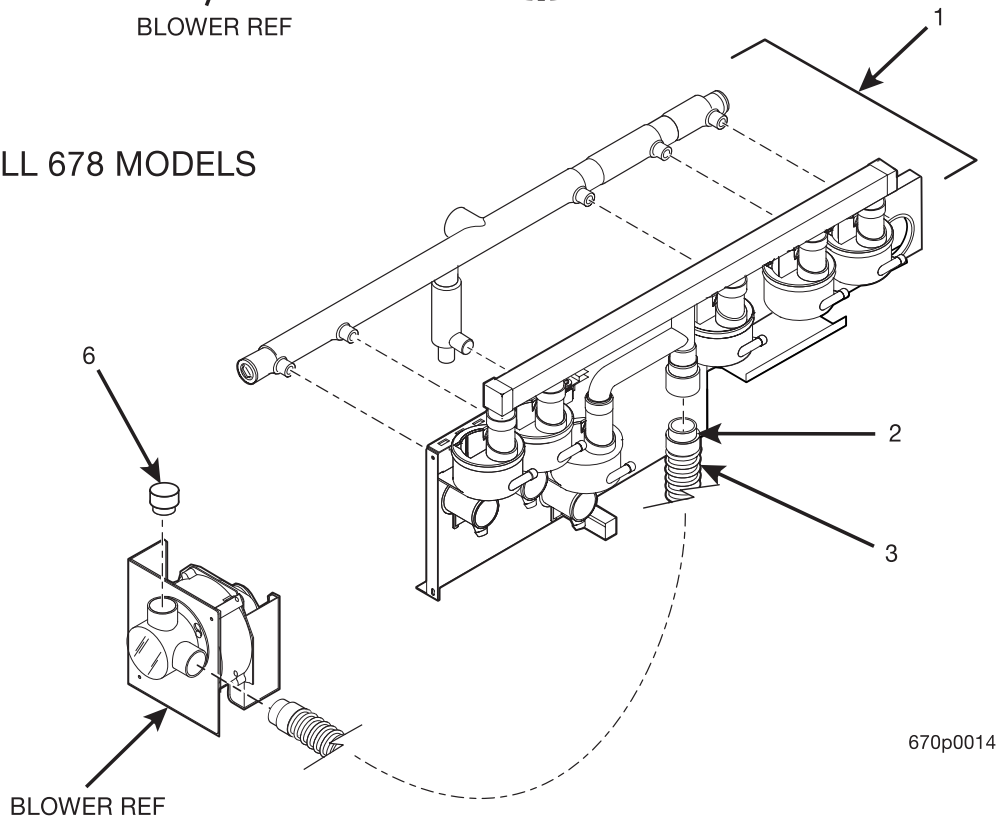
TABLE 56: FILTER PAPER HOUSING

INDEX	PART NUMBER	DESCRIPTION	QTY.
--	6234622	PAPER ROLL ASSEMBLY (INCLUDES INDEX NUMBERS 2 - 3 AND 5)	1
1	6234625	BRACKET - PAPER ROLL	1
2	9900020	SCREW - #8-32 X 1/2 RHS MACH. ZINC	3
3	9900081	NUT - #8-32 KEPS ZINC PLATE	3
4	6154238	COVER ASSEMBLY - FILTER PAPER HOUSING	1
5	6234630	HOUSING ASSEMBLY - FILTER PAPER	1
--	6104459	FILTER PAPER PACKAGE ASSEMBLY (NOT SHOWN)	--

MODEL 670



ALL 678 MODELS

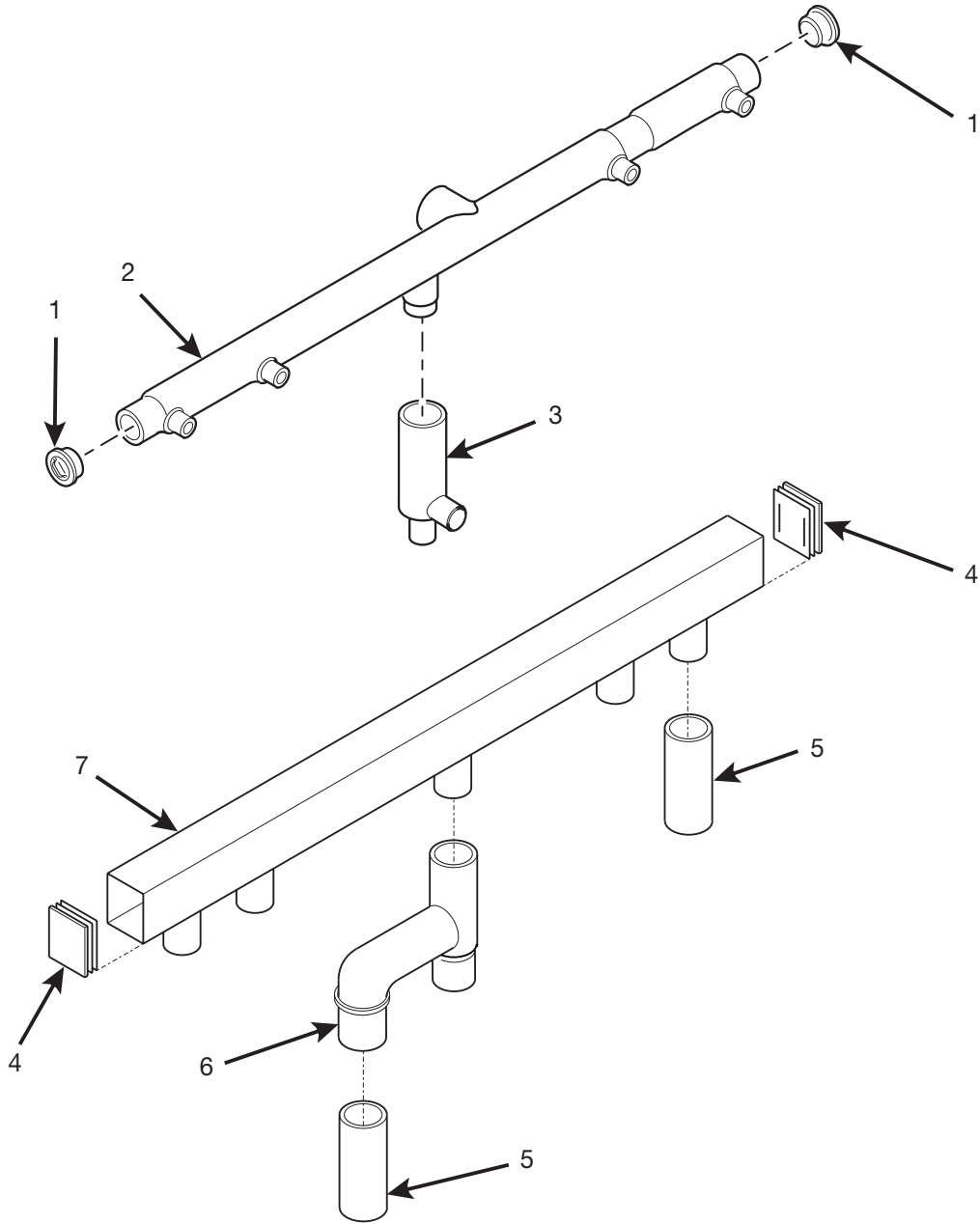


670p0014

FIGURE 57: MIXING BOWL AND BREWER VENTILATION SYSTEM

TABLE 57: MIXING BOWL AND BREWER VENTILATION SYSTEM

INDEX	PART NUMBER	DESCRIPTION	QTY.
1	--	TUBING ASSEMBLY (SEE TABLE 37 FOR DETAILS)	1
2	6137157	COUPLING - VENT HOSE	2
3	6237355	HOSE - EXHAUST	1
4	6237353	FILTER - EXHAUST CHUTE	1
5	6237352	BREWER EXHAUST LOCATOR AND BRACKET ASSEMBLY	1
6	6237335	VINYL CAP - 1.000 I.D.X .50 LG.-	1

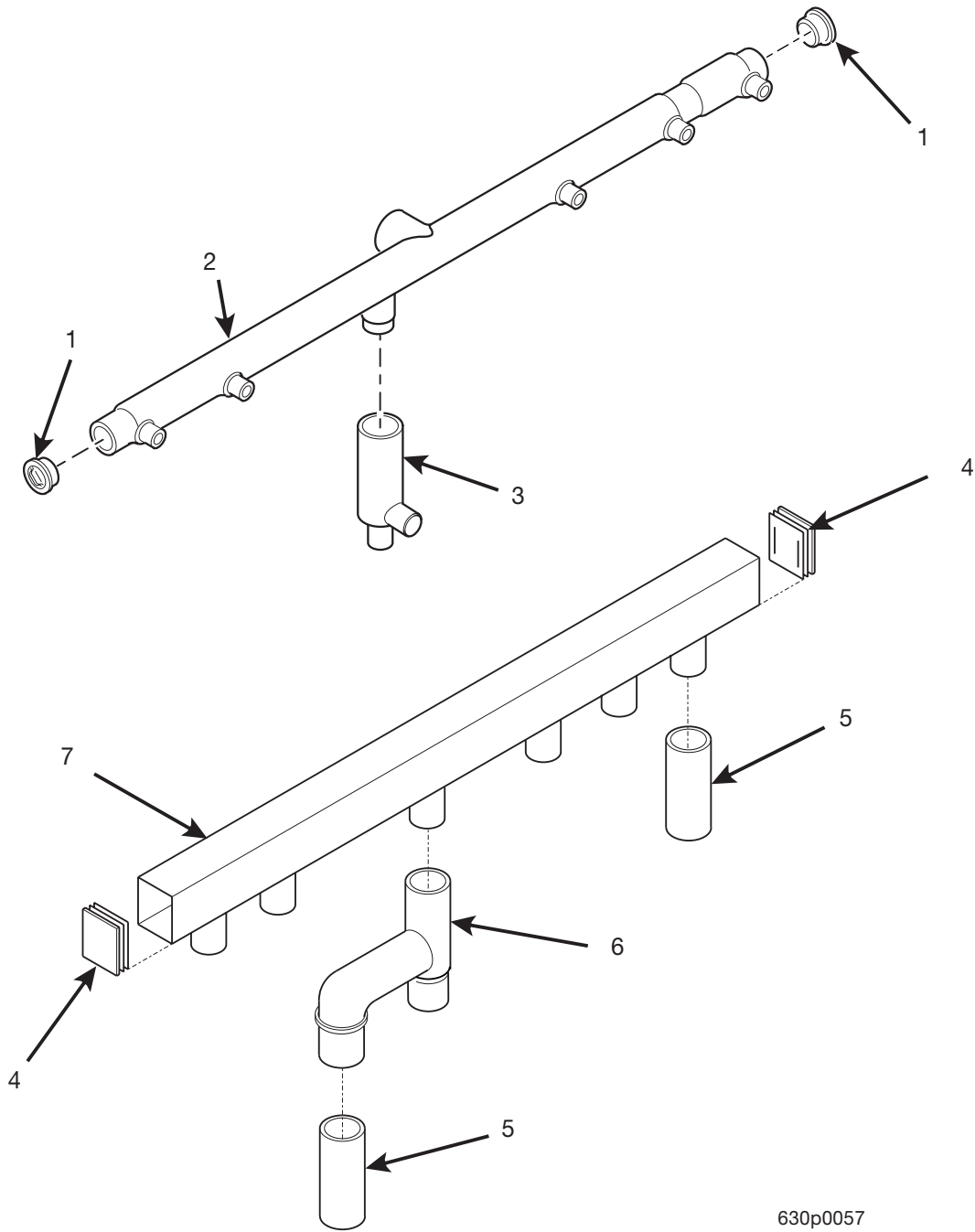


630p0056

FIGURE 58: VENT TUBING (MODEL 670 ONLY)

TABLE 58: VENT TUBING (MODEL 670 ONLY)

INDEX	PART NUMBER	DESCRIPTION	QTY.
1	6237335	CAP - VINYL - 1.00 I.D. X .50 LG	2
2	6267301	VENT SHELF - FREEZE DRIED	1
3	6247008	VENT - SHELF - DUAL FRESH BREW	1
4	6337082	CAP - MANIFOLD	2
5	6337049	TUBE - EXTENSION - SILICONE	5
6	6337044	VENT - SUGAR/LIGHTENER ADAPTER	1
7	6367003	VENT - FREEZE DRIED - 636	1



630p0057

FIGURE 59: VENT TUBING (MODEL 678 ONLY)

TABLE 59: VENT TUBING (MODEL 678 ONLY)

INDEX	PART NUMBER	DESCRIPTION	QTY.
1	6237335	CAP - VINYL - 1.00 I.D. X .50 LG	2
2	6267301	VENT SHELF - FREEZE DRIED.	1
3	6247008	VENT - SHELF - DUAL FRESH BREW	1
4	6337082	CAP - MANIFOLD	2
5	6337049	TUBE - EXTENSION - SILICONE	6
6	6337044	VENT - SUGAR/LIGHTENER ADAPTER	1
7	6367003	VENT - FREEZE DRIED	1

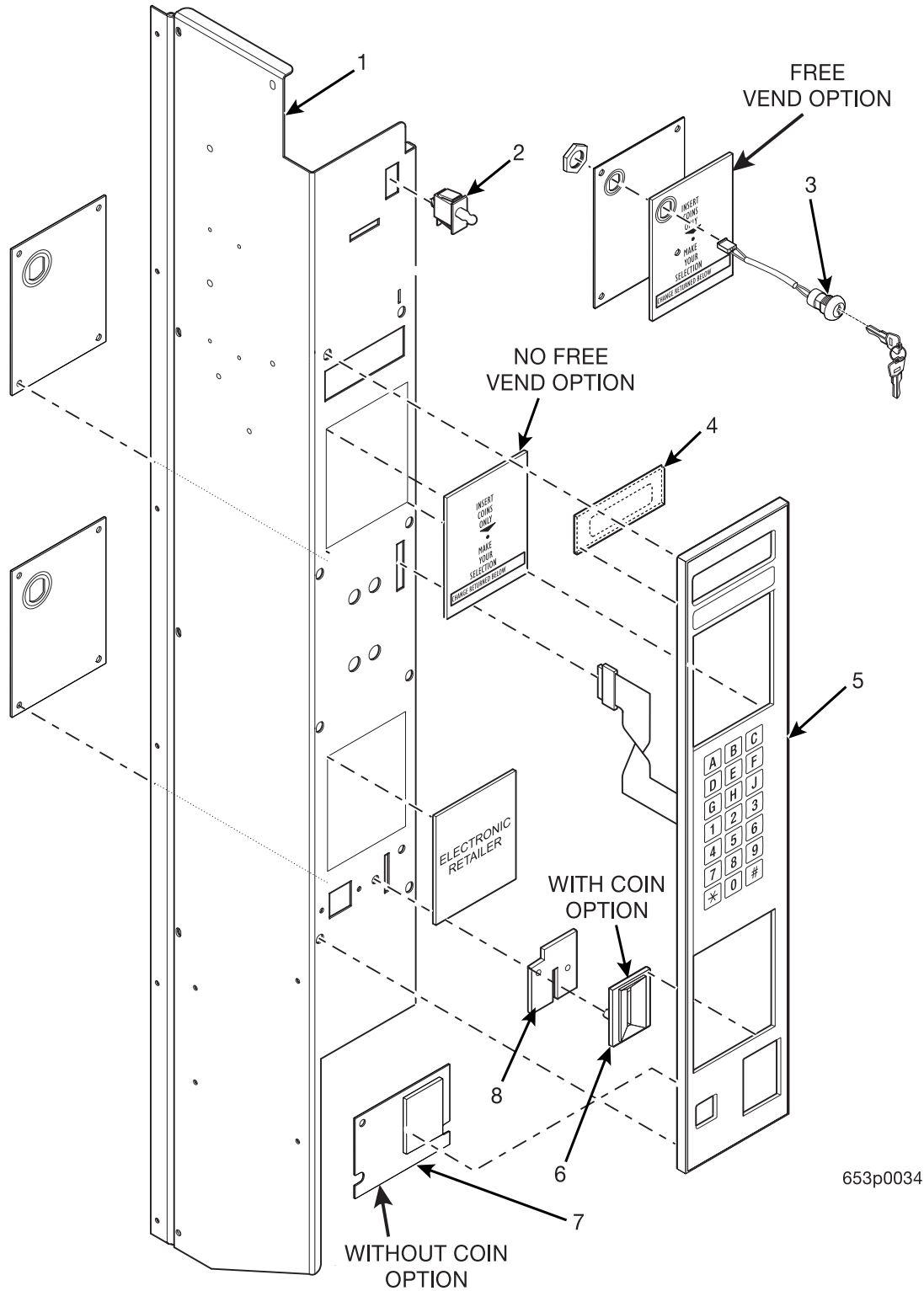


FIGURE 60: MONETARY PANEL (PART 1 OF 3)

TABLE 60: MONETARY PANEL (PART 1 OF 3)

INDEX	PART NUMBER	DESCRIPTION	QTY
1	1575094	MONETARY PANEL WELD ASSEMBLY - NV BLACK	1
2	1401110	SWITCH	1
3	9989639	SWITCH ASSEMBLY - FREE VEND	1
4	1595014	LENS - DISPLAY - GPL	1
5	6525001	FACEPLATE ASSEMBLY - 24 SEL-GPL	1
6	1472223	COIN INSERT (WITH COIN OPTION)	1
7	--	LOWER MONETARY POSITION	--
8	1641041	COIN BLOCK	1
SOME OF THE FOLLOWING ITEMS ARE INCLUDED WITH THE APPROPRIATE FREE VEND OPTIONS (NOT SHOWN):			
	6362014	INSERT - SEL. INSTRUCTIONS - FREE VEND	
	2342315	CLIP - WIRE HARNESS	
	9989639	SWITCH ASSEMBLY - FREE VEND	

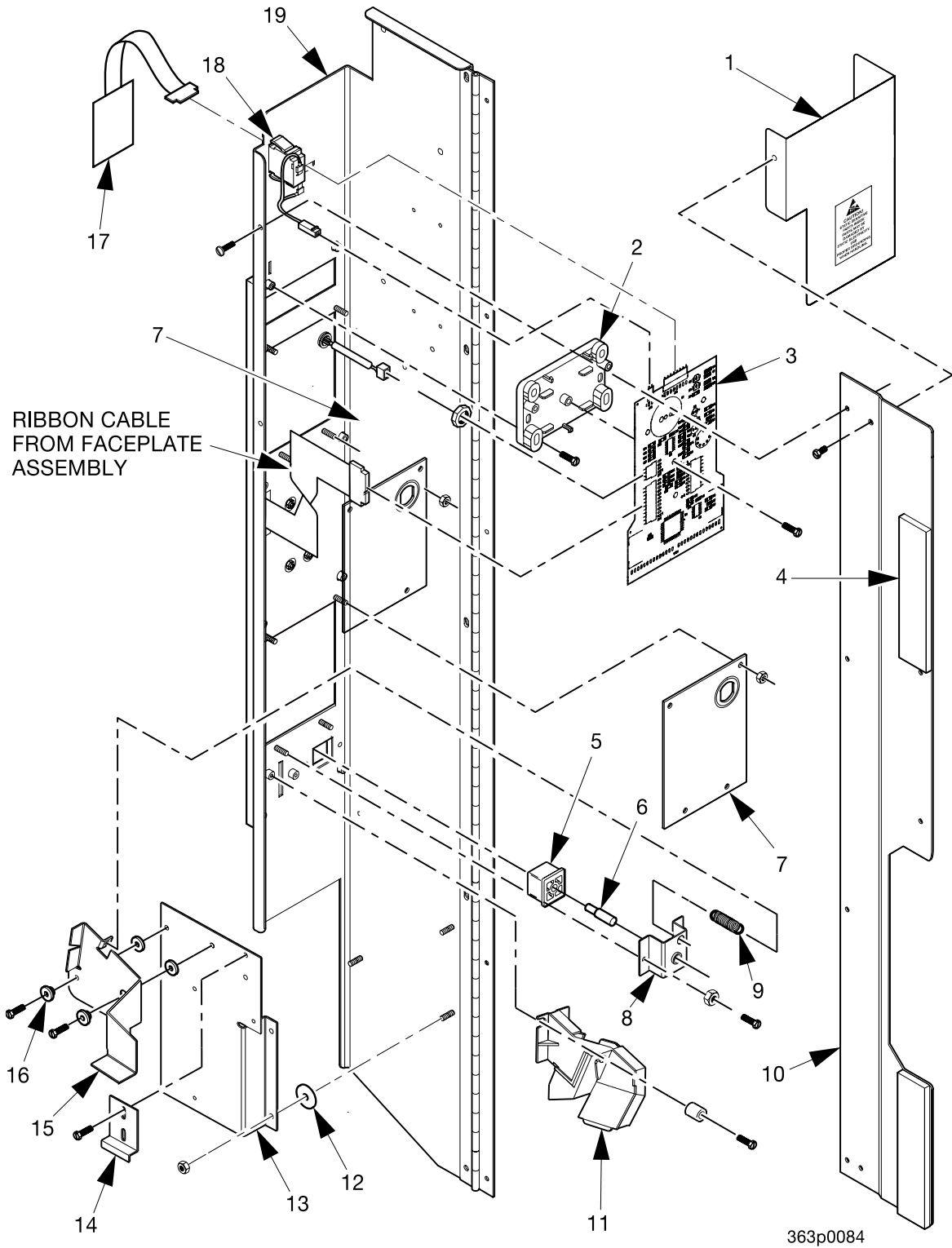


FIGURE 61: MONETARY PANEL (PART 2 OF 3)

TABLE 61: MONETARY PANEL (PART 2 OF 3)

INDEX	PART NUMBER	DESCRIPTION	QTY.
1	1575029	COVER - DISPLAY	1
--	9989823	DISPLAY WITH BRACKET ASSEMBLY (INCLUDES INDEX 2 & 3)	--
2	1475099	BRACKET - PCB - DISPLAY	1
3	9989685	PCB ASSEMBLY - DISPLAY	1
4	3122056	MAGNET RETAINER COIN CHANGER	1
5	1475026	BUTTON - COIN RETURN	1
6	1475072	SHAFT - RETURN BUTTON	1
7	--	UPPER OR LOWER MONETARY POSITION (SEE TABLE 64 FOR DETAILS)	--
8	1571079	BRACKET - COIN RETURN BUTTON	1
9	1127808	SPRING SHELF RESET	1
10	1575057	PLATE - MAGNET MOUNTING	1
11	1575003	COIN CHUTE ASSEMBLY	OPT.
12	9900067	WASHER STEEL 7/16 X.203 X.062	2
13	1571081	BRACKET ASSEMBLY - COIN MECHANISM	OPT.
14	6231037	CLAMP - CABLE	1
15	1571113	ARM - SCAVENGER	1
16	2204093	WASHER - SCAVENGER BAR	1
17	6335002	SERVICE KEYPAD ASSEMBLY	1
18	1401110	SWITCH	1
19	1575094	PANEL WELD ASSEMBLY - MONETARY	1

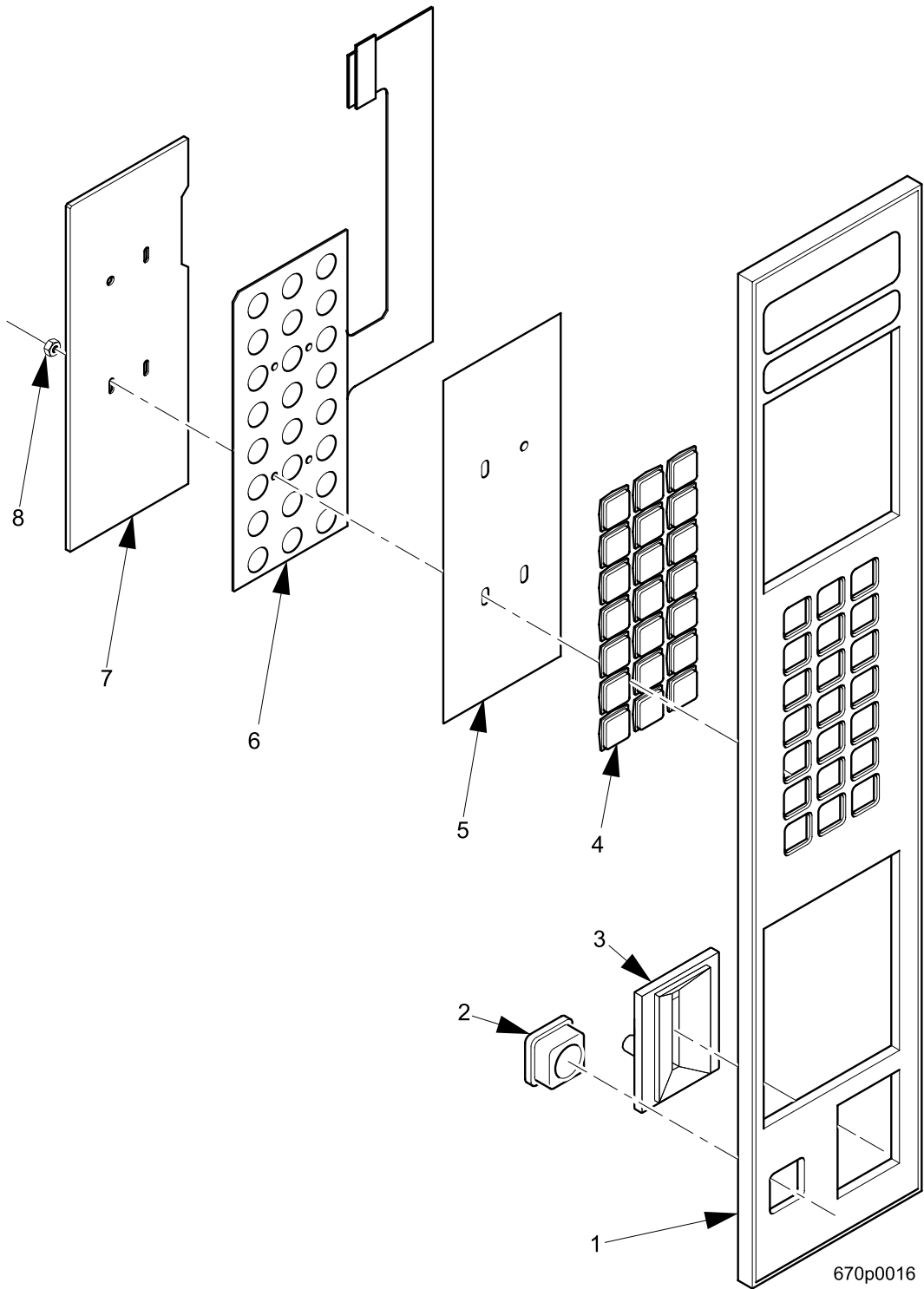
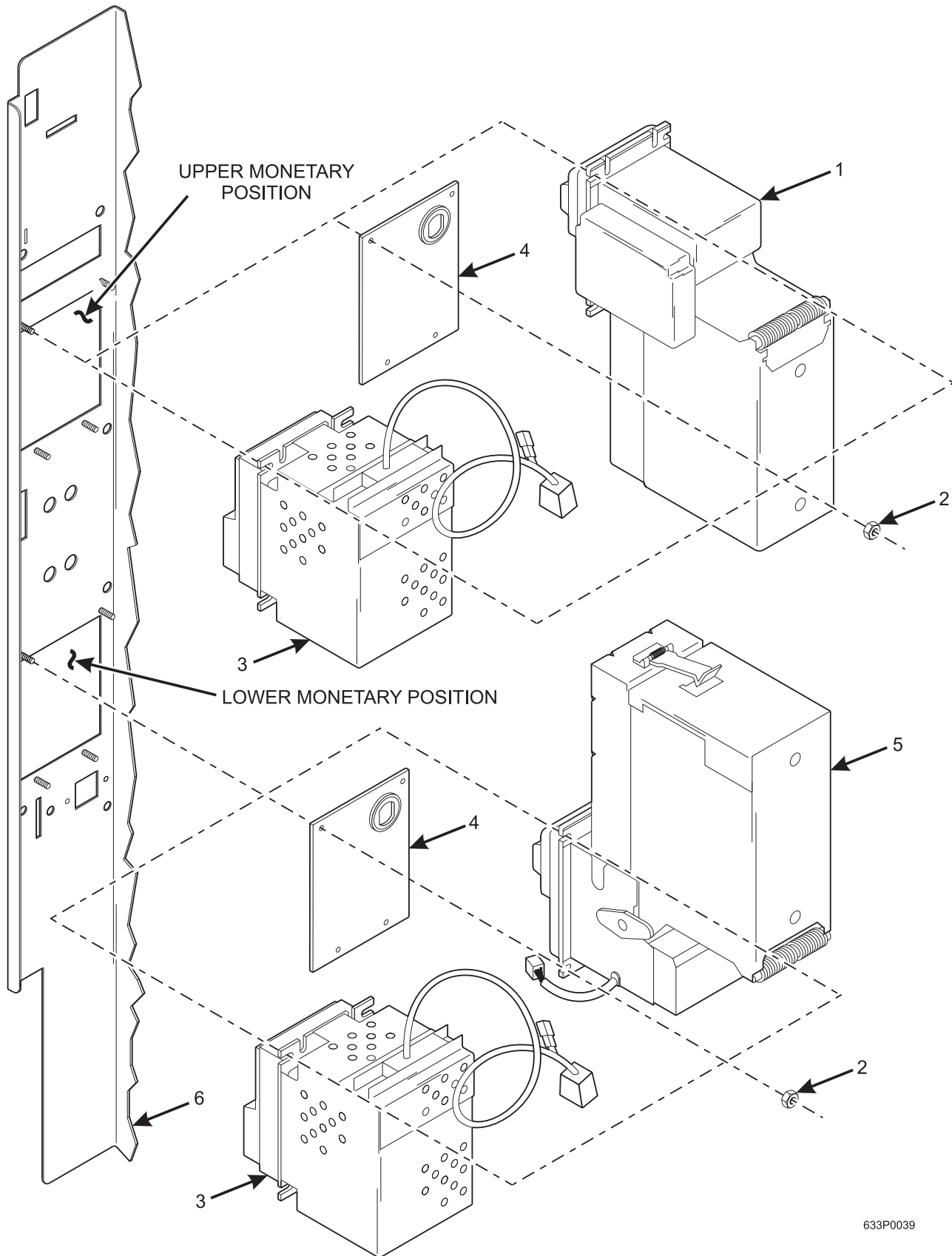


FIGURE 62: MONETARY PANEL (PART 3 OF 3)

TABLE 62: MONETARY PANEL (PART 3 OF 3)

INDEX	PART NUMBER	DESCRIPTION	QTY.
--	6525001	FACEPLATE ASSEMBLY - 24 SELECTION - GPL	--
--	1595013	FRAME - MONETARY PANEL - GPL (NOT SHOWN)	1
1	6525000	SELECTION PANEL - MONETARY - GPL	1
2	1475026	BUTTON - COIN RETURN	1
3	1472223	COIN INSERT	1
4	1472251	LENS - PUSH BUTTON	24
5	1575058	LETTER SHEET - SELECT SWITCH	1
6	7215019	MEMBRANE SWITCH ASSEMBLY - SELECT	1
7	1575091	PLATE - SELECT SWITCH - BACK UP - W/STUD	1
8	1475089	1/8" NUT - SELF-THREADING	4



633P0039

FIGURE 63: CARD READER AND BILL VALIDATOR OPTIONS

TABLE 63: CARD READER AND BILL VALIDATOR OPTIONS

INDEX	DESCRIPTION	QTY
1	DOWNSTACK BILL VALIDATOR	OPT
2	NUT	8
3	DEBIT CARD READER	OPT
4	INSTRUCTION INSERT BACKING PLATE	0 1 2*
5	UPSTACK BILL VALIDATOR	OPT
6	MONETARY PANEL WELD ASSEMBLY	REF.

*QUANTITY VARIES WITH MONETARY CAPABILITY

TABLE 64: MONETARY LOCATION OPTIONS

MONETARY CAPABILITY	UPPER	LOWER	WITH COIN?
COIN - VAL -CARD	CARD READER	UPSTACK VALIDATOR	YES
COIN - VAL -CARD	DOWNSTACK VALIDATOR	CARD READER	YES
COIN - VAL	INSERT INSTRUCTIONS BACK-UP PLATE (1575048)	UPSTACK VALIDATOR	YES
COIN - VAL	DOWNSTACK VALIDATOR	INSERT INSTRUCTIONS BACK-UP PLATE (1575048)	YES
COIN - CARD	INSERT INSTRUCTIONS BACK-UP PLATE (1575048)	CARD READER	YES
COIN - CARD	CARD READER	INSERT INSTRUCTIONS BACK-UP PLATE (1575048)	YES
VAL- CARD	DOWNSTACK VALIDATOR	CARD READER	NO
VAL- CARD	CARD READER	DOWNSTACK VALIDATOR	NO
COIN ONLY	INSERT INSTRUCTIONS BACK-UP PLATE (1575048)	INSERT INSTRUCTIONS BACK-UP PLATE (1575048)	YES
VAL ONLY	INSERT INSTRUCTIONS BACK-UP PLATE (1575048)	UPSTACK VALIDATOR	NO
VAL ONLY	DOWNSTACK VALIDATOR	INSERT INSTRUCTIONS BACK-UP PLATE (1575048)	NO
CARD ONLY	CARD READER	INSERT INSTRUCTIONS BACK-UP PLATE (1575048)	NO
CARD ONLY	INSERT INSTRUCTIONS BACK-UP PLATE (1575048)	CARD READER	NO

**Note: ALL ITEMS ARE SECURED WITH FOUR NUTS (P/N 9900081).
SHADED ITEMS REPRESENT ALTERNATE CONFIGURATIONS.**

TABLE 65: COIN MECH OPTIONS - "DUMB"

PART NUMBER	DESCRIPTION
6400003	COINCO - 9302 LF - 24 V - W/15 PIN PLUG
5900279	CONLUX CCM5G-4
5900116	MARS - TRC 6000
5900112	MARS - MC5000
6400002	MARS - TRC 6010 XV - 24V - W/15 PIN PLUG
5900216	MARS - VN4000, 110V US 5,10,25,\$1
5900276	MARS - VN4510 - 5/10/25/25 KB

TABLE 66: COIN MECH OPTIONS - "MDB"

PART NUMBER	DESCRIPTION
5900244	COINCO - USD - G701 "MDB"
5900269	COINCO USQ - G701 - MDB-4 TUBE KB
5900270	COINCO USQ - G702 MDB-4 TUBE
5900213	COINCO - 9302GX MDB KB
5900243	MARS - TRC6512 "MDB"
5900289	MARS VN4510 MDB - DBL DIME
5900214	MEI - VN4510 - 5/10/25/ \$1MDB, 6/BOX, KANBAN
5900209	CONLUX - USLZ - 001 "MDB"

TABLE 67: BILL VALIDATOR OPTIONS - "SERIAL"

PART NUMBER	DESCRIPTION	HARNESS P/N
5900284	VALIDATOR - COINCO - MAGPRO - 30SA	1579028
5900285	VALIDATOR - COINCO - MAGPRO - 32SA KB	1579032
5900267	VALIDATOR - CONLUX NBM3140MDB-400	1579050
5900283	VALIDATOR - MAGPRO - 32R KB	--
5900284	VALIDATOR - MAGPRO - 30SA KB	1679053
5900248	VALIDATOR - MARS AE2611 - U5E	1579028
5900193	VALIDATOR - MARS S2000 - VN2511 - U5E	1579028
5900205	VALIDATOR - MARS - VN 2512 - U5E 24V	1579032 9989718
5900221	VALIDATOR - COINCO - BA 32 SA - 24V	1579032 9989718

TABLE 68: BILL VALIDATOR OPTIONS - "PULSE"

PART NUMBER	DESCRIPTION	HARNESS P/N
1475053	MAKA VALIDATOR - MASK K (NB - 1KB - 400)	--
5900198	VALIDATOR - MARS - S2000 - VN2311 - U5E - 110V	1679052

TABLE 69: BILL VALIDATOR OPTIONS - "MDB"

PART NUMBER	DESCRIPTION	HARNESS P/N
5900284	VALIDATOR - COINCO - MAGPRO - 30SA	1579034
5900210	VALIDATOR - MARS - VN 2512 - U5M/500	--
5900247	VALIDATOR - AE2612 - U5M "MDB"	--

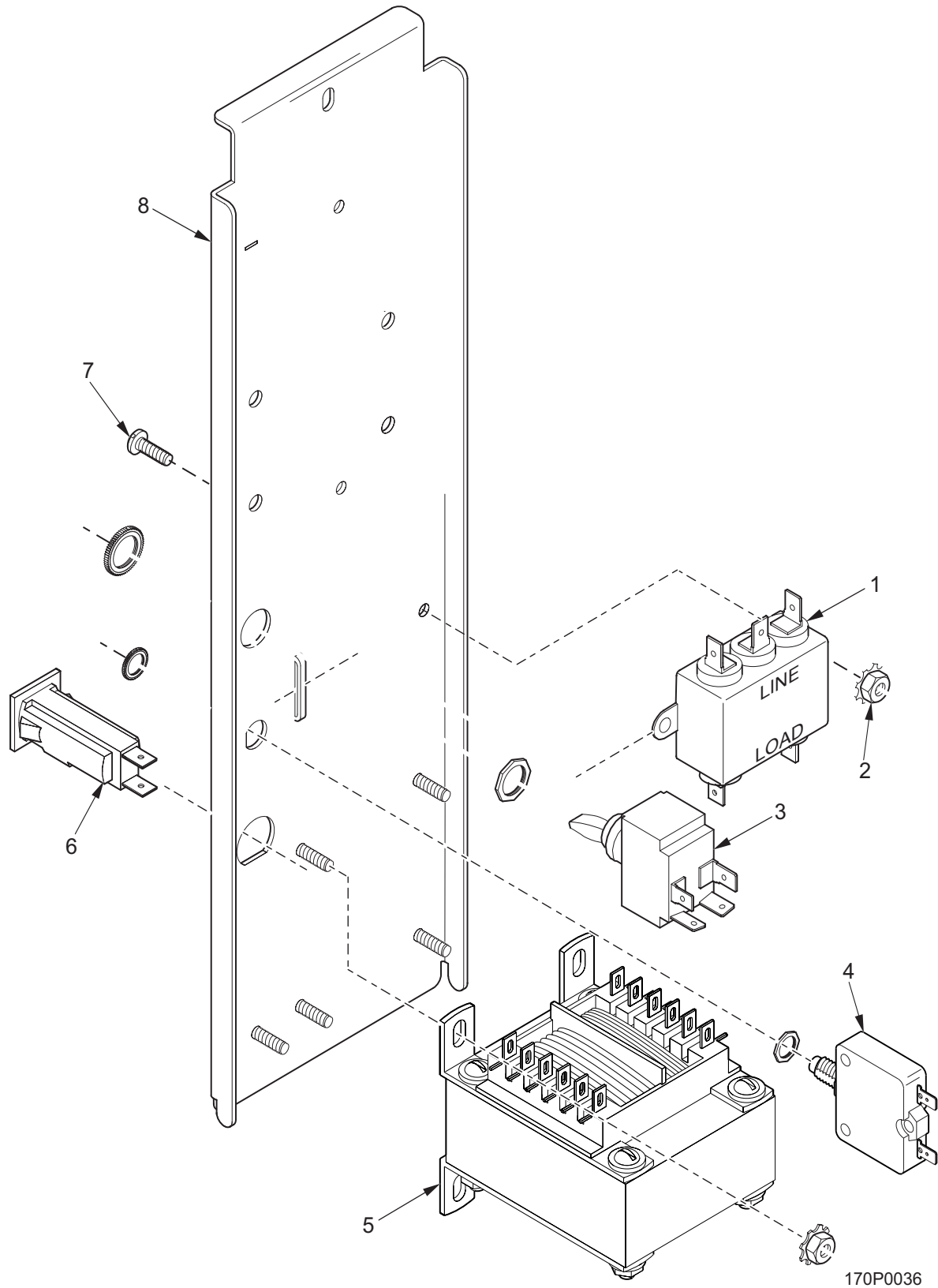
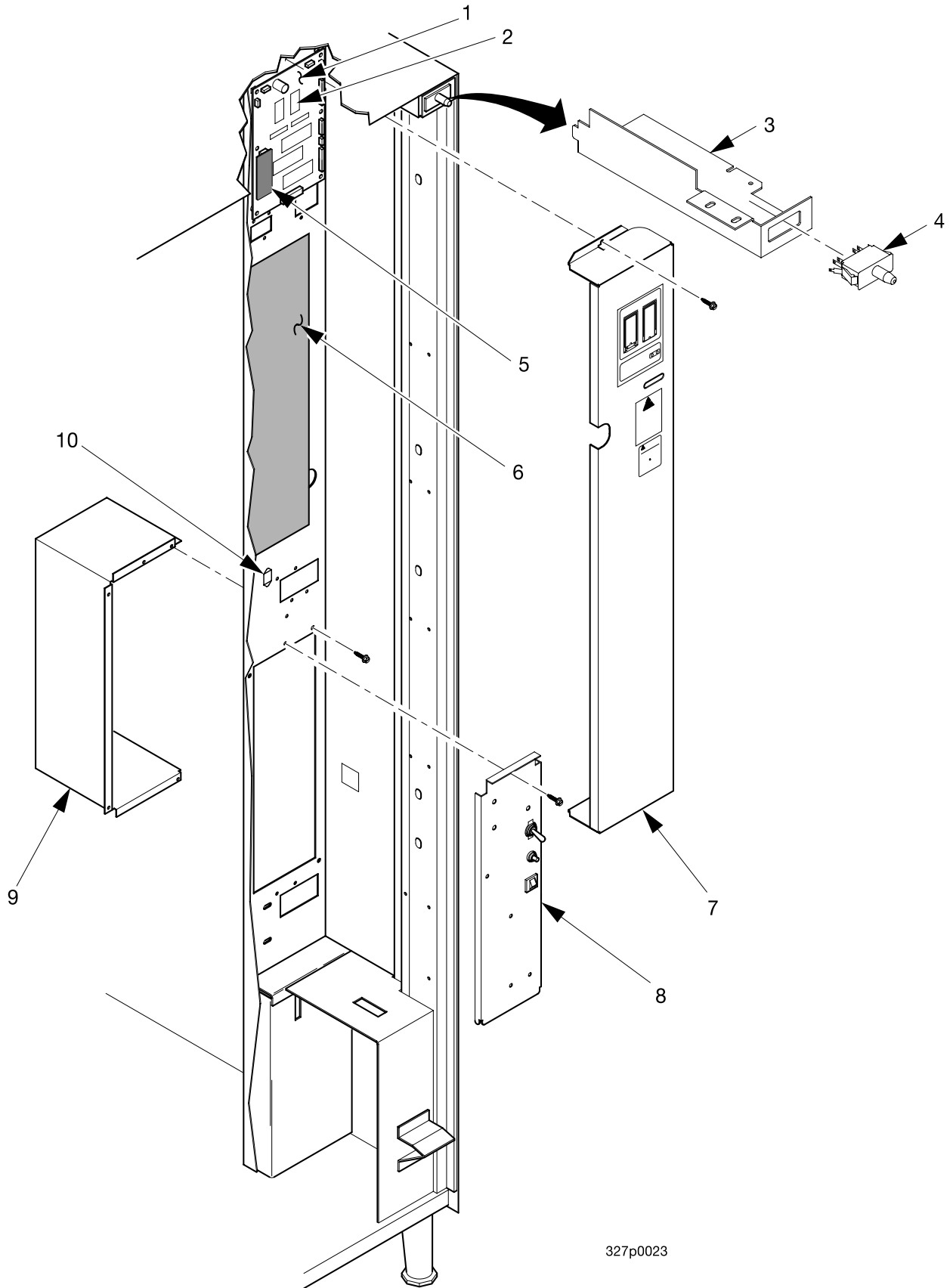


FIGURE 70: POWER PANEL ASSEMBLY

TABLE 70: POWER PANEL ASSEMBLY

INDEX	PART NUMBER	DESCRIPTION	QTY
--	1701015	POWER PANEL ASSEMBLY - DOMESTIC	--
1	9989100	INTERFERENCE FILTER	1
2	9900081	NUT - #8-32 KEPS ZINC PLATE	6
3	9984629	SWITCH - TOGGLE - DPST - 20 AMP	1
4	9989672	BREAKER - 15 AMP	1
5	9989046	24 V TRANSFORMER - DUAL PRI. - .187 TERM	1
6	9989674	CIRCUIT BREAKER - 4 AMP	1
7	1211110	8-32 X 1/4 RHS MACH SCREW - Z.P.	6
8	1701025	PLATE - HOUSING - PANEL	1



327p0023

FIGURE 71: MONETARY CHANNEL

TABLE 71: MONETARY CHANNEL

INDEX	PART NUMBER	DESCRIPTION	QTY.
--	6736000	MAIN CONTROLLER PCB WITH EPROM (INCLUDES NEXT THREE LINES)	--
1	9989755	PCB ASSEMBLY - MAIN CONTROLLER (INCLUDES NEXT 2 LINES)	1
2	SEE LABEL	IC ASSEMBLY	1
--	3286019	PCB ASSEMBLY - IR SENSOR INTERFACE	1
3	1571074	LOCK ARM - CABINET	2
4	1211141	SWITCH - 115V	1
5	6736001	PCB ASSEMBLY - HOT DRINK INTERFACE	1
6	--	NOT USED IN THIS APPLICATION	--
7	1571112	COVER - CONTROLLER / INTERFACE PCB	1
8	1701015	POWER PANEL ASSEMBLY - DOMESTIC	1
9	1671022	HOUSING - POWER PANEL	1
10	9983778	TRIAC - 35AMP - 600V	1

Part Number	Page	Part Number	Page	Part Number	Page
1127808	113	1575003	113	2272052	17
1170206	35, 89	1575029	113	2301057	23
1172021	41, 49	1575048	117	2302053	19
1172190	17	1575057	113	2302223	63
1172191	17	1575058	115	2342315	27, 111
1211105	37, 39	1575091	115	2346016	35
1211110	121	1575094	111, 113	3102447	65
1211112	41	1575106	3, 5, 7	3103133	87
1211141	123	1577038	23, 27	3106154	35
1217159	27, 95	1579028	119	3107171	35
1217160	27, 45, 95	1579032	119	3108048	61
1300018	13	1579034	119	3108141	27
1302289	17	1579050	119	3112163	17
1302290	17	1581023	43	3112164	17
1302291	17	1582069	13	3116127	45
1302324	17	1582111	5	3121150	45
1302326	17	1592031	5, 9	3122056	113
1401110	111, 113	1592032	5, 9	3142138	37
1411194	43	1592035	5	3143009	25
1411195	43	1592036	5	3151058	35
1437204	47	1592044	5	3152045	3, 5, 7
1451097	13, 23, 37, 47, 49, 63, 65, 89, 95	1592045	5	3157060	35, 95
1452139	35, 49	1592056	15	3158023	58
1457027	27	1592063	7	3158061	58, 59, 60, 61
1471054	29	1592068	5, 9	3167128	67
1471098	41	1592069	5, 9	3281084	87
1471237	41	1592096	5	3281085	89
1472178	15	1592097	5	3283058	23
1472223	111, 115	1595013	115	3286019	123
1472250	15	1595014	111	3502097	47, 57
1472251	115	1602004	5, 9	3618123	65
1475026	113, 115	1602016	5, 9	4041102	89
1475053	119	1602028	5	4041241	23
1475072	113	1602030	5, 9	4047054	45
1475089	115	1602035	5	4242145	37
1475099	113	1602041	5	4245082	19
1475119	65	1602048	7	4245083	19
1477020	27	1602049	7	4245084	19
1477113	27	1602070	13	4245186	95
1479063	23	1602071	5, 9	4247204	89
1482003	5	1602072	5	4277042	11
1571029	29	1602080	5, 9	4305043	35
1571074	123	1641041	111	4311068	41
1571079	113	1671022	29, 123	4312210	47
1571081	113	1672080	19	4407042	11
1571098	39	1679005	35	4711020	89
1571112	123	1679052	119	5220108	27
1571113	113	1679053	119	5900112	118
1571115	41	1701015	29, 121, 123	5900116	118
1572010	19	1701025	121	5900193	119
1572011	19	2204093	113	5900198	119
1572026	15	2204513	47	5900205	119
1572031	15	2222031	11, 27	5900209	118
1572060	9	2222096	35	5900210	119
1572276	5	2222110	9, 11	5900213	118
1572279	5	2271408	43	5900214	118
		2272036	35	5900216	118

Part Number	Page	Part Number	Page	Part Number	Page
5900221	119	6231087	43	6233032	23
5900243	118	6231098	29	6233036	23
5900244	118	6231135	45	6233037	23
5900247	119	6231142	55	6233048	21
5900248	119	6231158	39	6233058	23
5900267	119	6231163	41	6233061	21
5900269	118	6231164	37	6233077	23
5900270	118	6231178	57	6233109	21
5900276	118	6231188	49	6233126	25
5900279	118	6231189	49	6233127	25
5900283	119	6231203	41	6234000	33, 93
5900284	119	6231210	57	6234001	91, 93, 99
5900285	119	6231223	31, 45	6234002	91, 93
5900289	118	6231232	35	6234007	91, 93
6104181	97	6231319	57	6234008	91, 93
6104184	97	6231372	29, 35	6234010	33, 91
6104193	97	6231430	87	6234106	27
6104459	103	6231431	87	6234110	99
6106107	97	6231432	87	6234116	99
6108065	63	6231438	87	6234118	99
6114121	25	6231439	87	6234120	99
6117010	89	6231443	87	6234200	91, 93
6118071	55	6231475	33	6234205	91, 93
6124073	51	6231488	87	6234207	97
6131066	23	6231489	87	6234213	97
6134152	97	6231492	87	6234215	91, 93
6134155	97	6231495	87	6234220	91, 93
6134173	97	6231501	61	6234222	91, 93, 99
6134178	97	6231503	61	6234223	91, 93
6134192	97	6231507	45	6234225	91, 93
6134197	97	6231533	63	6234240	91, 93
6137109	65	6231550	47	6234243	91, 93
6137157	105	6231553	47	6234250	99
6138181	21	6231559	35	6234256	99
6138183	51	6232028	37, 39	6234260	99
6138287	51	6232031	37	6234261	99
6151131	45	6232034	39	6234270	91, 93
6154214	67	6232036	39	6234271	91, 93
6154232	67	6232065	27	6234273	91, 93
6154238	103	6232080	13	6234274	99
6154284	67	6232084	27	6234275	99
6154285	67	6232085	27	6234278	99
6154286	67	6232089	27	6234279	95
6154287	67	6232091	27	6234288	91, 93
6154288	67	6232096	27	6234289	91, 93
6154289	67	6232118	27	6234292	99
6154290	67	6232208	37, 39	6234293	91, 93
6201025	45	6232263	27	6234294	95
6204211	99	6232305	35	6234295	51, 91, 93, 99
6204215	63	6232317	27	6234297	93
6204229	97	6233007	23	6234301	91, 93
6208037	65	6233010	23	6234302	97
6231033	63	6233018	23	6234303	91, 93, 95
6231034	41	6233019	23	6234305	97
6231035	49	6233021	23	6234308	91, 93
6231036	29	6233028	23	6234310	91, 93, 95
6231037	113	6233030	21	6234328	91, 93, 97

Part Number	Page	Part Number	Page	Part Number	Page
6234335	67	6237177	75, 77	6333004	25
6234357	55, 57	6237181	75, 77, 79, 81, 83	6333005	25
6234359	57	6237184	31, 65	6333006	25
6234364	57	6237188	31, 65	6333007	25
6234375	91, 93, 97	6237192	69	6333008	23, 25
6234515	95	6237193	69	6333009	25
6234516	33	6237194	69	6333010	25
6234524	33	6237195	63, 69	6333011	25
6234600	93, 101	6237205	57	6333012	25
6234601	93	6237241	71	6333015	23
6234603	101	6237287	71	6333016	23
6234607	101	6237306	69	6333020	25
6234608	93	6237312	69	6334005	33, 95
6234612	101	6237315	63	6334007	95
6234614	101	6237335	105, 107, 109	6334012	95
6234615	101	6237340	47	6334016	67
6234619	101	6237342	47	6334018	95
6234620	101	6237352	33, 105	6334019	91, 93
6234622	33, 103	6237353	105	6335002	113
6234625	103	6237355	105	6337016	77, 79, 81
6234626	101	6237356	65	6337017	63
6234628	101	6237436	31, 65	6337020	75, 77, 79, 81, 83, 85
6234630	103	6237438	31, 65	6337021	85
6234634	101	6237439	75	6337022	85
6234803	91	6237446	73, 79	6337023	73
6234981	63, 67	6238068	51	6337024	85
6237008	81	6238070	51	6337030	85
6237014	75, 77, 79, 81, 83, 85	6238074	49, 53	6337044	107, 109
6237020	85	6238075	49	6337049	107, 109
6237023	75, 77, 79, 81, 83	6238084	51	6337057	31, 63
6237025	75, 77, 81	6238090	65	6337076	63, 69
6237045	85	6238104	49	6337078	63, 69
6237049	51	6238112	49, 53	6337079	63, 69
6237051	63	6238113	53	6337080	71
6237052	63	6238114	49	6337081	63
6237053	75, 77, 79, 81, 83	6238136	49	6337082	107, 109
6237063	79, 81, 85	6238137	49	6337085	69
6237066	85	6238138	49	6337086	85
6237074	65	6239016	95	6337087	85
6237077	65	6241001	63	6338015	55
6237095	85	6241004	33	6338018	55, 60
6237097	85	6247008	107, 109	6338021	65
6237106	79	6261117	63	6338022	49
6237108	75, 77	6261130	63	6338027	59
6237110	69	6261132	63	6338030	55, 59
6237111	69	6262021	23	6338041	49
6237115	63	6262046	37	6338046	49, 51
6237116	75, 77, 79, 81, 83	6267301	107, 109	6338047	51
6237117	13, 69	6272001	3	6338049	51
6237119	69	6301006	29	6338050	51
6237129	79	6302001	13	6338051	51
6237157	69	6302002	13	6338053	53
6237165	65	6330733	43	6338054	53
6237167	75, 77, 79, 81, 83	6331040	61	6338058	29
6237170	65	6331089	47	6341007	31, 63
6237172	65	6332052	25	6341018	31, 63
6237176	79, 81, 83	6333003	21	6341022	31, 63

Part Number	Page	Part Number	Page	Part Number	Page
6341027	31	6537019	69	9900067	113
6342012	13	6537021	75, 77, 83	9900078	9
6342040	37	6537022	73, 83	9900081	9, 11, 13, 21, 27, 35, 37, 49, 53, 67, 89, 103, 117, 121
6342068	5	6537023	73, 75	9900098	43
6342069	3	6537024	73, 77	9900115	21, 67
6342079	11	6537025	73, 81	9900121	17, 23
6342081	11	6537026	75, 77, 85	9900157	27, 65
6342082	11	6537030	69	9900160	19
6342086	5	6538000	49	9900170	17
6351005	33	6551006	89	9900203	15, 61
6362014	111	6551014	31, 89	9900205	58
6367003	107, 109	6558007	29, 49	9900218	41
6367018	71	6558009	49	9900219	35
6368001	49	6559005	49	9900415	75, 77, 79, 81, 83
6382007	5	6559010	89	9900425	27
6382011	5	6559011	89	9905010	49
6391020	47	6700001	13	9983778	123
6392024	23	6701001	87	9984094	35
6392028	5, 13	6701003	23	9984629	121
6398136	89	6701004	23	9984636	45
6400002	118	6701005	23	9985887	95
6400003	118	6701009	31, 87	9988208	95
6404034	23	6701010	87	9989046	121
6407029	89	6702002	11	9989100	121
6407030	89	6702003	13	9989639	111
6408025	55, 58	6703002	21	9989672	121
6408028	55	6703003	21	9989674	121
6408113	60	6709000	13	9989676	47
6408114	55, 60	6732059	27	9989685	113
6408115	60	6732060	27	9989718	119
6408117	58, 59, 60	6732064	27	9989755	123
6408119	58, 59, 60, 61	6732065	27	9989823	113
6408134	58	6732083	13	9992400	17
6508006	49	6732084	13		
6508033	51	6734012	95		
6525000	115	6736000	123	B	
6525001	111, 115	6736001	123	B6700000	13
6534000	91	7207027	60	G	
6537013	75, 77, 83	7215019	115	G1472028	9
6537014	75, 77, 83	9900012	45	G6262033	11
6537017	77, 81	9900020	103		
6537018	75, 77, 81, 83	9900031	11		

Terms and Conditions of Sale

LIMITED WARRANTY: Subject to the limitation specified herein, all parts included on original equipment manufactured by CRANE MERCHANDISING SYSTEMS and sold to purchaser are warranted for two (2) years from the date of shipment of the equipment in question. This warranty applies only to the original purchaser of the Merchandiser and is null and void if the Merchandiser is sold during the period of warranty.

Defective parts will be repaired or replaced free of charge when the defective part is returned, with transportation charges prepaid by purchaser, to a destination designated by CRANE MERCHANDISING SYSTEMS.

This warranty does not include any cost of service rendered or repairs made by customer or its agents on Merchandiser, or parts, unless authorization to incur such expense has been given in writing by CRANE MERCHANDISING SYSTEMS prior to incurring such expense. This warranty does not cover labor and service charges performed by CRANE MERCHANDISING SYSTEMS service technicians.

This warranty does not apply to A) electrical components, wiring, or circuits or mechanical parts or assemblies damaged as a result of operating the Merchandiser at other than the design voltage and frequency specified on the Electrical Rating Tag, or B) in event of vandalism, fire or negligence, or C) incandescent lamps, neon lamps, fluorescent lamps, ballasts, starters or other expendable items, or D) when seal is broken on electronic boards, or E) when other manufactured components are installed in CRANE MERCHANDISING SYSTEMS Merchandisers.

Replacement parts sold by CRANE MERCHANDISING SYSTEMS as After Market shall be covered for three months from the date shown on the parts invoice. Purchaser must obtain prior RETURN AUTHORIZATION for return of all parts, following guidelines given by CRANE MERCHANDISING SYSTEMS.

New, unused parts purchased as After Market can be returned within 30 days from date of parts invoice, with prior authorization from CRANE MERCHANDISING SYSTEMS.

THIS WARRANTY IS IN LIEU OF ALL OTHER WARRANTIES EXPRESS OR IMPLIED, INCLUDING WITHOUT LIMITATION, WARRANTIES OF MERCHANTABILITY OF FITNESS FOR A PARTICULAR PURPOSE. CRANE MERCHANDISING SYSTEMS SHALL NOT BE RESPONSIBLE FOR CONSEQUENTIAL OR PUNITIVE DAMAGES. CRANE MERCHANDISING SYSTEMS neither assumes nor authorizes any person to assume for it any obligation or liability in connection with the sale of said equipment or any part thereof.

