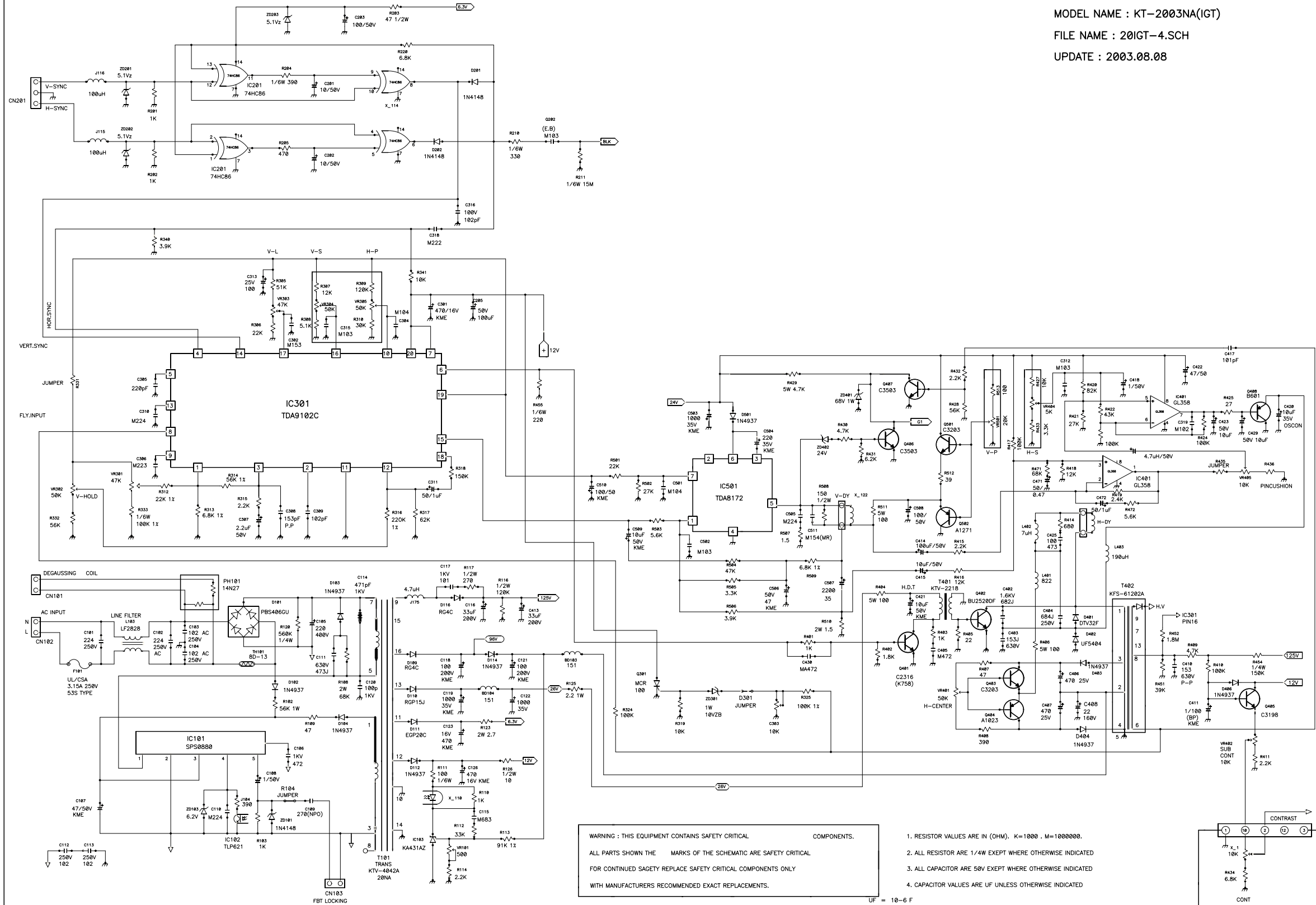


MODEL NAME : KT-2003NA(IGT)
 FILE NAME : 20IGT-4.SCH
 UPDATE : 2003.08.08



WARNING : THIS EQUIPMENT CONTAINS SAFETY CRITICAL COMPONENTS.
 ALL PARTS SHOWN THE MARKS OF THE SCHEMATIC ARE SAFETY CRITICAL.
 FOR CONTINUED SAFETY REPLACE SAFETY CRITICAL COMPONENTS ONLY
 WITH MANUFACTURERS RECOMMENDED EXACT REPLACEMENTS.

1. RESISTOR VALUES ARE IN (OHM). K=1000, M=1000000.
2. ALL RESISTOR ARE 1/4W EXCEPT WHERE OTHERWISE INDICATED
3. ALL CAPACITOR ARE 50V EXCEPT WHERE OTHERWISE INDICATED
4. CAPACITOR VALUES ARE UF UNLESS OTHERWISE INDICATED

UF = 10⁻⁶ F