



TouchTunes
DIGITAL JUKEBOX, INC.

***Digital Jukebox
Genesis M1-04 Floor Model***

Parts Catalog

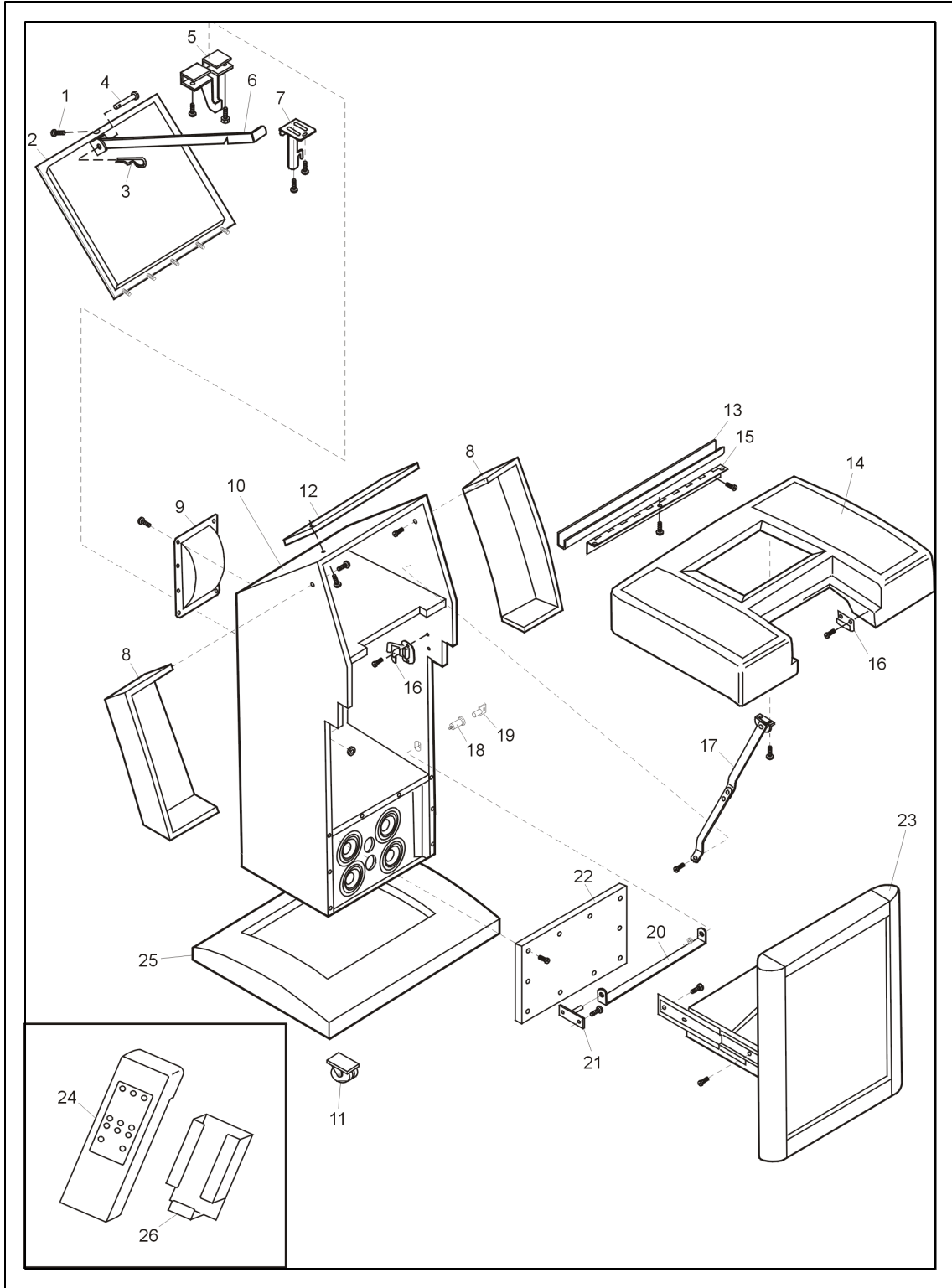


Figure 1
Exploded View of Cabinet

Item Number	Description	Part Number	Note
1	Shipping Screw (1)	_____	
2	Rear Door Assy (See Figure 3)	_____	
3	• Clevis Hairpin (See Figure 3)	_____	
4	• Stud (See Figure 3)	_____	
5	Catch, Access Panel (1)	196853	
6	Pull, Access Panel (1)	196852	
7	Lock, Access Panel (1)	196883	
8	Bezel, Rear, Top (2)	196877	
9	Handle (2)	250658	
10	Wrap (Main Cabinet w/o base & partitions)	_____	*
11	• Caster, Swivel, Dual Wheel	196872	
12	Bezel, Front, Top (1)	196868	*
13	Drip Channel (1)	199005	*
14	Front Bezel Assy (1)	250638	
15	• Hinge, Continuous, 31" (1)	196878	
16	• Keeper, Spring Latch (2)	196885	
17	Arm, Support, Pair (1)	196871	
—	Lock Kit (1)	252812	
18	• Lock, Tubular Key (1)	195290	
19	• Key X8700 (2)	KEYM104	
20	• Bar, Lock (1)	196866-01	
21	Bar Bracket (1)	196902	
22	Woofers Access Door (1)	_____	
23	Drawer Assy (See Figure 4)	_____	
24	Remote Ctrl Assy (1) (1)	199640	
25	Base Assy, 28-1/2 X 36" (w/o casters)	197447	
26	Remote Control Mounting Bracket	RCBKT	

• Indicates sub-assembly part

* Not available as a purchased part

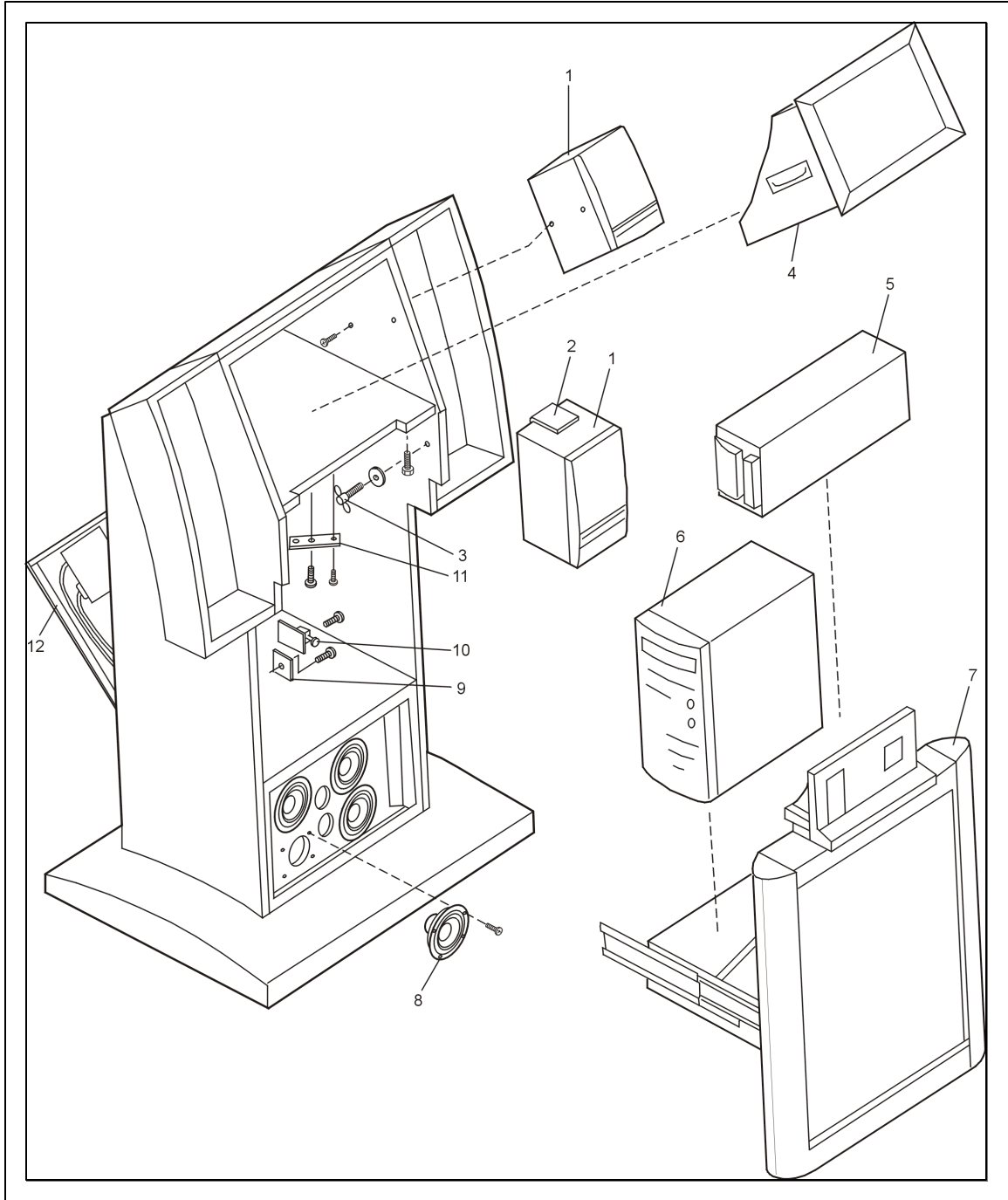


Figure 2
Exploded View Main Components

Item Number	Description	Part Number	Note
1	Bose 141JB Speaker, 2 Ohm, L&R Pair (2)	250637	
1	• Bose 141JB Speaker, 2 Ohm, Left (2)	250637L	
1	• Bose 141JB Speaker, 2 Ohm, Right (2)	250637R	
2	Speaker Bracket (mounts 141JB spkr) (2)	WB-10	
3	Screw, Wing, M5 X 30 X30mm (4)	196910	
4	17" Color Monitor/ELO Touchscreen Assy	195260	
5	UPS (1)	UPSM104	
6	PC Mini Tower Assy (1)	PCM104	
7	Front Drawer Assembly (See Figure 4)	————	
8	Sub-Woofer Assy, 5.25", FACL HI(4)	190170	
9	Dallas Button Assy (iButton) (1)	196833	
10	Manager Switch PCB (1)	MGRPCBA	
11	Plate, Mounting, Monitor (4)	196884	
12	Rear Door Assy (See Figure 3)	————	

- Indicates sub-assembly part

- * Not available as a purchased part

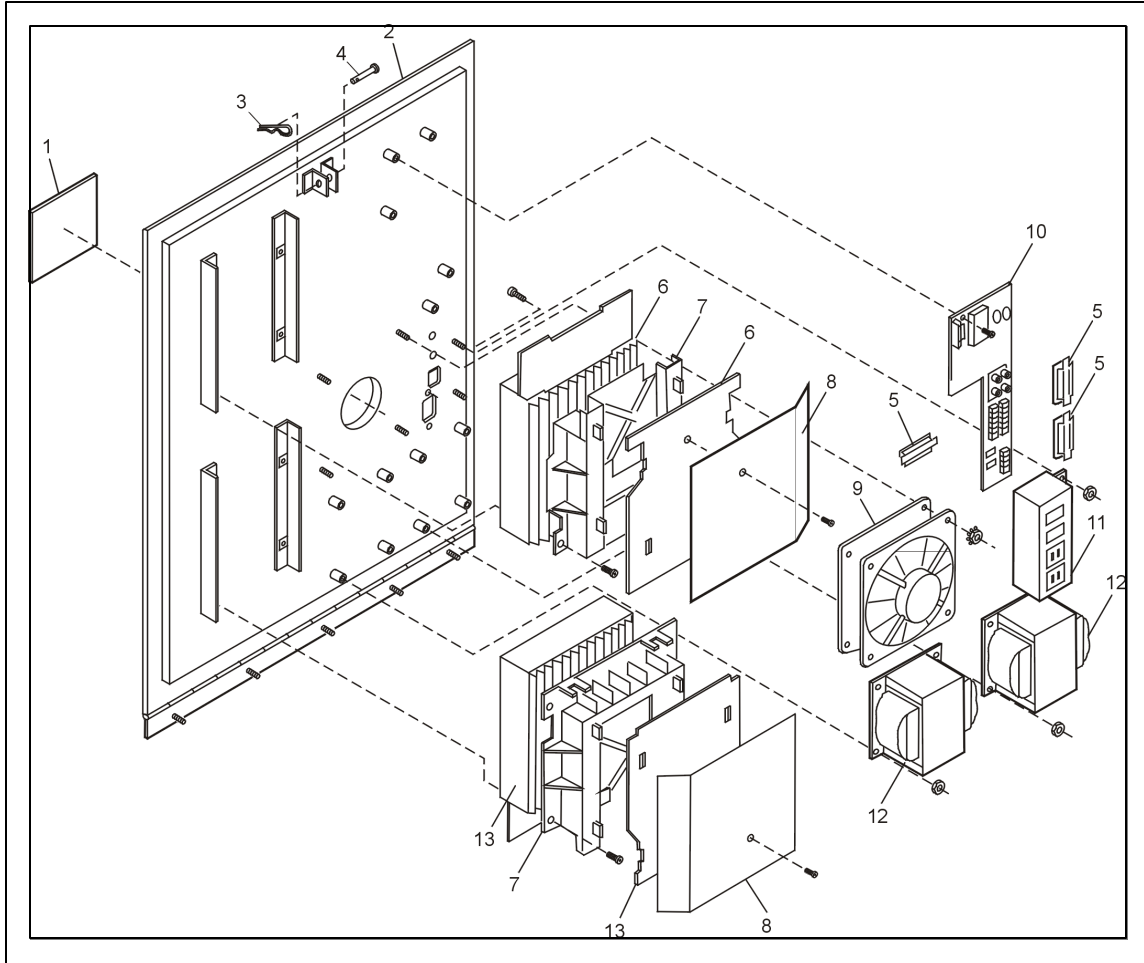


Figure 3
Exploded View of Rear Door Assembly

Item Number	Description	Part Number	Note
—	Rear Door Assembly	252830	
1	• Filter, Fan, Polyester White (1 Pack)	196891	**
2	• Rear Door Assy (1)	250652	
3	• • Clevis Hairpin (1)	196904	
4	• • Stud (1)	196903	
5	• • Clamp, Cable, 2-1/4" (3)	196905	
6	• Zone 2 Amplifier/E.Q.PCB, 115 VAC (1)	199019	
—	• • E.Q. Fuse, 3A	————	*
7	• Zone 1 & 2 Amp Bracket, Adaptor (2)	196890	
8	• Amp Insulator (2)	196888	
9	• Fan, 115 VAC (1)	196882	
10	• I/O PBC Assy (1)	250636	
11	• Power Distribution PCB (1)	PWRDIST	
12	• Transformer (Zone 1 & 2) (2)	196196	
13	• Zone 1 Amplifier/E.Q.PCB, 115 VAC (1)	199018	
—	• • E.Q. Fuse, 3A	————	*

• Indicates sub-assembly part

* Not available as a purchased part

** Pack of 25

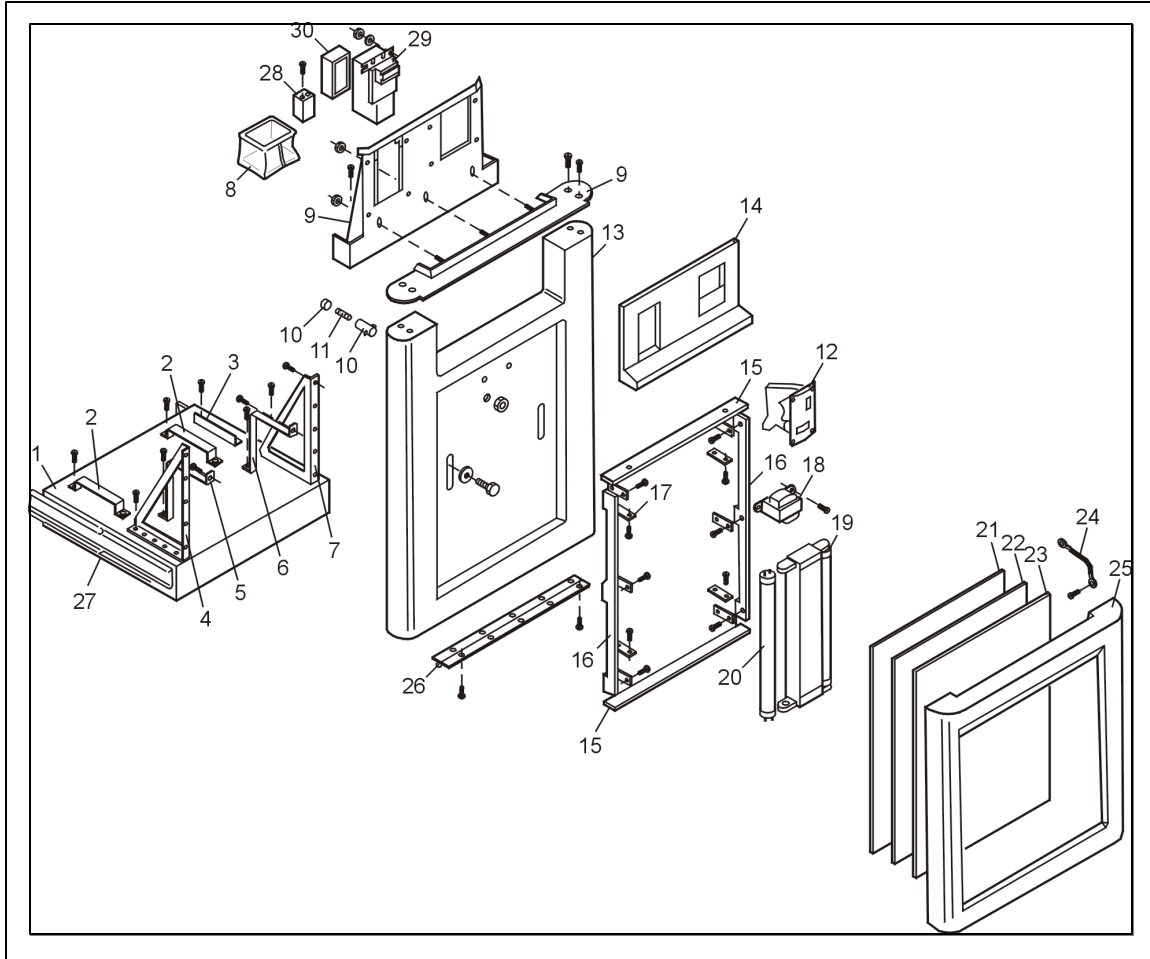


Figure 4
Exploded View of Front Drawer and Payment Means Assembly

Item Number	Description	Part Number	Note
—	Drawer Assy (1)	250651	
1	• Tray (1)	—	*
2	• Computer Mtg Hat Brkt (2)	196893	
3	• Computer Stop Brkt (1)	196894	

Item Number	Description	Part Number	Note
4	• Brace, Corner, Comp Drwr, Left (1)	196886-1	
5	• UPS Left Holddown Z Brkt (1)	196900-1	
6	• UPS Right Holddown Z Brkt (1)	196900-2	
7	• Brace, Corner, Comp Drwr, Right (1)	196886-2	
8	• Coin Bag, Cloth (1)	195265	
9	• Payment Means Bezel Bracket (1)	196867	
10	• Fuseholder, Panel Mount (1)	149269	
11	• Fuse, .1/5 Amp, SB (1)	————	
12	Coin Acceptor (US Quarters Only) Asahi Seiko	250660	Model PFB-730
13	• Frame, Rear, Drawer (1)		
14	• Bezel, Payment Means Gray (1)	196656	
15	• Top & Bottom Spacers (2)	————	*
16	• Left & Right Spacers (2)	————	*
17	• Plate Mending (10)	————	*
18	• Transformer, 48VA, 22VAC, DBA (1)	199625	
19	• Light Fixture Assy (1)	252824	
20	• • Fluorescent Tube (2)	F15T12/D	
21	• Panel, Translucent, White (1)	195283	
22	• Marquee Front Door (1)	————	Specify Design
23	• Overlay, Clear, Polycarbonate (1)	195282	
24	• Restraining Wire (2)	————	
25	• Drawer, Frame, Front (1)	250655	
26	• • Hinge, Continuous, 18 inch (1)	196878	
27	• Slides, Computer Shelf, Pair	196857	
28	Meter, 6 Digit, Non Reset, 12 VDC (1)	195266	
29	Mars 2000, DBA, 24 VAC, 700 Stacker (1)	195262	Model 2512
30	Bill Acceptor Stacker (700 Notes)	DBASKR	

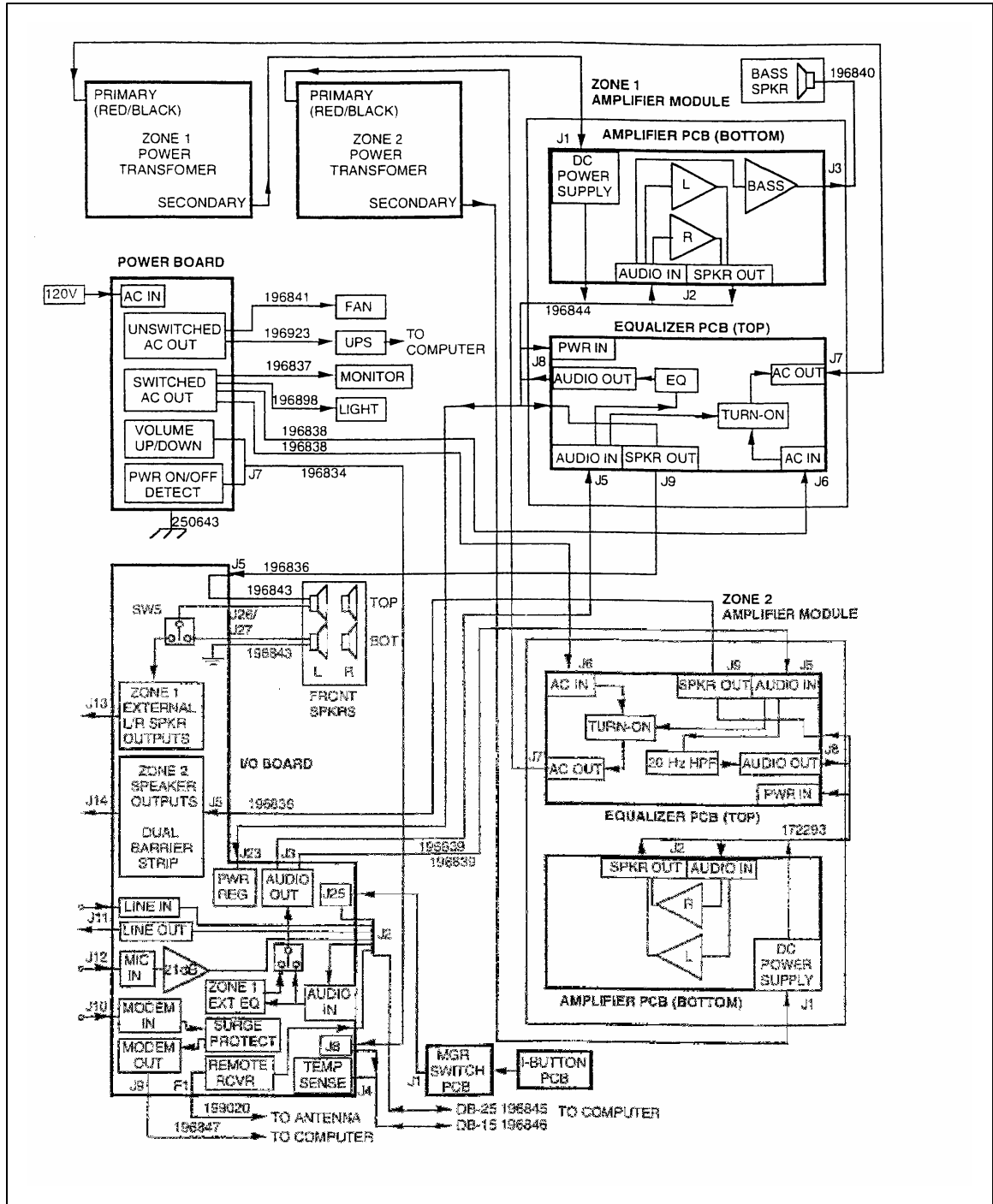


Figure 5
 Audio Section Wiring/Block Diagram

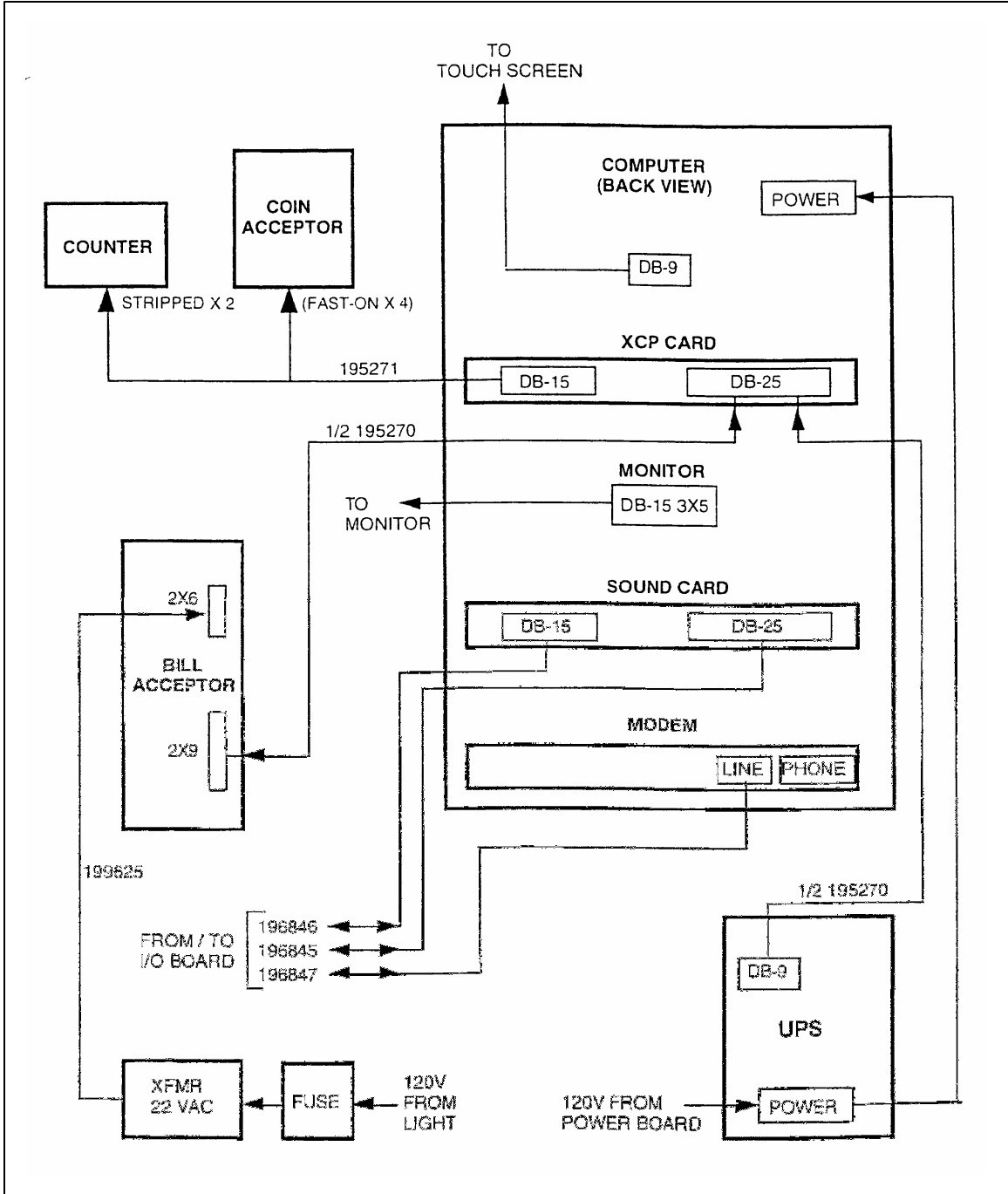


Figure 6
Control Section Wiring/Block Diagram

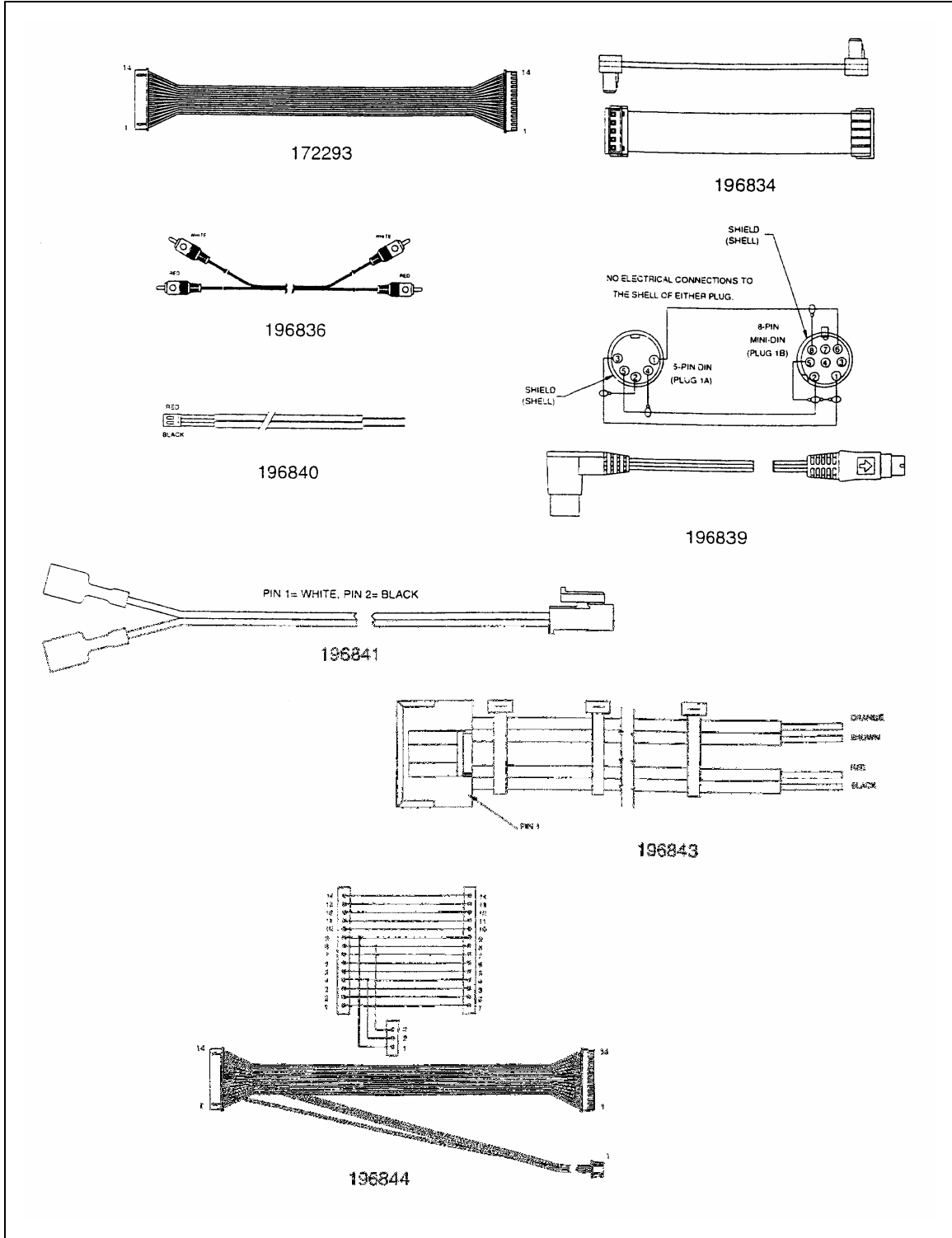


Figure 7
Cable Drawings (Sheet 1 of 2)

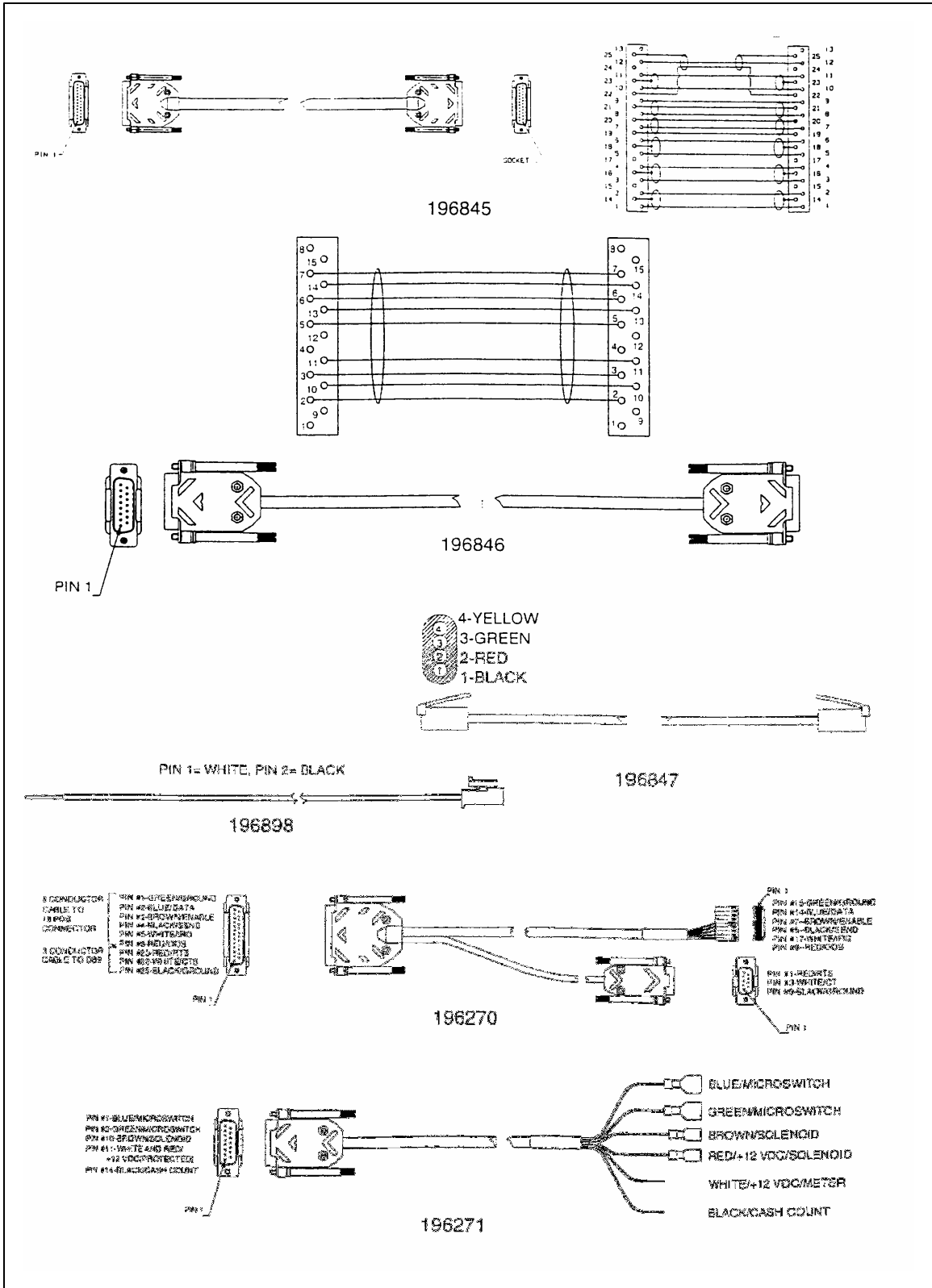


Figure 8
Cable Drawings (Sheet 2 of 2)