

SUZO HAPP

Solutions Focused. Technology Driven.

NEW GAMING PRODUCTS



Top 20 Most Innovative Gaming Products Award

suzohapp.com

A global solutions provider exceeding industry expectations since 1955.

Suzo-Happ recognizes the competitive nature of your business and we understand the vital importance of trust. We safeguard the confidentiality of your ideas by handling all phases of your project within our secure in-house environment, from initial concept development through engineering, production, warehousing and distribution.

Our clients come from many industries in more than 80 countries. Around the globe or in your neighborhood, Suzo-Happ takes pride in being able to speak your native language for clearer communication and more efficient operation.

You know your industry and market better than anyone. Bring us the idea and be confident that our account managers, designers, engineers, and warehouse staff possess the tools and skills to make your vision a reality.



Protect Your Idea



We Speak Your Language



From Your Mind to Your Line

NORTH & SOUTH AMERICA (NCS)

Las Vegas +1.888.289.4277
 Mount Prospect +1.888.289.4277
 Buenos Aires +54.230.446.6190

EUROPE (EMA)

Netherlands +31.186.64.33.33
 Germany +49.2404.98.680
 Poland +48.61.8948.682
 United Kingdom +44.208.391.7700

ASIA & PACIFIC (APA)

Hong Kong +852.234.36.139
 Macau +853.2895.6289
 Melbourne +61.3.9757.5000
 Sydney +61.2.9687.8877

TABLE OF CONTENTS

LIGHTING

LIGHT PRO EDGE-LIT LED GAME PANELS 2
 LED "GREEN LIGHTING" 6

TOPPERS

CELEBRATION VIDEO TOPPER..... 12
 RGB TOPPERS 14
 COMPLETE LINE OF TOPPERS 19

DIGITAL SIGNAGE 20

TOUCH SCREENS..... 24

MONITORS & LCDS 26

PLAYER TRACKING COMPONENTS 31

ILLUMINATED PUSHBUTTONS..... 32

INNOVATIVE SOLUTIONS

CUSTOM AWARD WINNING REELS & MECHANISMS..... 34
 CUSTOM AWARD WINNING INPUT DEVICES..... 37

TRANSACT PRINTERS 38

COIN & CURRENCY..... 28

COIN HOPPERS 40
 MEI EASITRAX® SOFT COUNT UPGRADE KITS 42
 MEI VALIDATORS 44
 COIN COUNTERS & COUNTERFEIT DETECTORS 45

GAMING PARTS & ACCESSORIES

POWER SUPPLIES & REPLACEMENT PARTS..... 47
 BALLASTS & REPAIR KITS 52
 PALTRONICS COMPONENTS 56

COOLING FANS 54

CLEANING & MAINTENANCE 60

LIGHT PRO EDGE-LIT LED PANELS

LIGHT PRO EDGE-LIT LED PANELS FOR IGT



- Eliminates the bulb and ballast — plugs into the existing game harness
- Eliminates the use of lamps, which frequently burn out
- Brighter — **up to 30% brighter** than other LEDs
- Energy efficient panel only requires +24vdc of power
- Operates off games DC voltage — installs in minutes
- Low heat generation, 70% lower power consumption, 5-8 year life span
- 3-year warranty on LED circuit

*Dramatically improves the lighting,
providing better color dispersion
without shadows*

- Suzo-Happ Light Pro LED edge-lit panels for all your IGT machines
- Increase attention and traffic with these bright LED panels
- Save on maintenance and energy

IGT Game King 17"

Part Number	Description
70-36595-00-KIT	Top Box - Round or Square
70-36589-00-KIT	Top Box - Chop
70-36590-00	Belly Glass
70-36588-00	Side Light - Includes new plastic tray



IGT S-2000 Upright Reels

Part Number	Description			
70-36597-00-KIT	Top Box - Round or Square			
70-36598-00	Belly Glass			
91-0673-00	Replaces F15T8 at Reel - color: blue white	5.0W	18"	11000K
91-0683-00	Replaces F15T8 at Reel - color: white	5.0W	18"	30000K



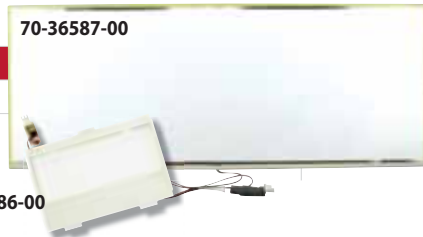
IGT Bartop

70-36587-00	Bar Top (3" x 4") - tray not included
-------------	---------------------------------------



IGT Game King 17" Upright or 19" Slant Top

70-36585-00	Top Box
70-36586-00	Side Light - Includes new plastic tray



LIGHT PRO EDGE-LIT LED PANELS FOR WMS



- Suzo-Happ Light Pro LED edge-lit panels fit all your WMS machines
- Both brighter and more energy efficient than fluorescents
- Adapter harness required for some models *(sold separately)*



WMS BlueBird I Upright *Fluorescent Topbox*

Part Number	Description
70-36594-00	Lower Display Light (4" x 9")
70-36590-00	Square Top Box ★



WMS BlueBird I Top Box only

Part Number	Description
70-36590-00	Square Top Box ☆



WMS BlueBird II Upright *LCD Top box*

Part Number	Description
70-36594-00	Lower Display Light (4" x 9") Replaces F6T5 and ballast in legend panel above button deck



WMS BlueBird I Upright

Part Number	Description
70-36587-00	Lower Display Light (3" x 4") ★
70-36590-00	Square Top Box ★

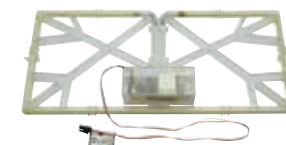


- ★ Harness Required part number 70-0215-00
- ☆ Harness Required part number 70-0217-00
- ★ Harness Required part number 70-0218-00

LIGHT PRO EDGE-LIT LED PANELS FOR ARISTOCRAT



- Replace all your fluorescents with brighter, energy efficient Suzo-Happ Light Pro LED edge-lit panels
- Easy to install with no lamps or ballasts!
- Adapter harness required *(sold separately)*



replaces old fluorescent lamp like this

Aristocrat MAV 500

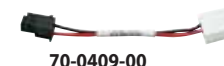
Part Number	Description
70-36590-00	Square Top Box ★
70-36599-00	Belly Glass ★



70-0214-00

Aristocrat Viridian

Part Number	Description
70-36596-00	Belly Glass ☆



LIGHT PRO EDGE-LIT LED PANEL FOR BALLY

Bally Alpha Upright — S9000

Part Number	Description
70-36590-00	Top Box ★



- ★ Harness Required part number 70-0409-00
- ★ Harness Required part number 70-0214-00
- ★ Harness Required part number 70-0510-00



EXMILL T8 LED LIGHT TUBES FOR THE IGT S2000

Brighter — Up to 30% brighter than other LEDs

New

- Perfect replacement for fluorescent lamps
- More Efficient — Up to 40% energy savings over traditional linear fluorescent lamps
- Reduces air-conditioning and maintenance costs
- Eco-friendly — no UV, Mercury or other hazardous substances
- Exmill's advanced technology for quick and efficient dissipation of heat
- Diffused cover
- T8 size with G13 base
- Connector type: Molex 26-60-4030
- Input voltage: 24VDC



Part Number	Description	Watts	Length	Color
91-0671-00	Replaces F15T8 at Top Glass	7.5W	18"	11000K
91-0673-00	Replaces F15T8 at Reel Glass	5.0W	18"	11000K
91-0681-00	Replaces F15T8 at Belly Glass	5.0W	18"	11000K
91-0682-00	Replaces F15T8 at Top Glass	7.5W	18"	30000K
91-0683-00	Replaces F15T8 at Reel Glass	5.0W	18"	30000K
91-0685-00	Replaces F15T8 at Belly Glass	5.0W	18"	30000K
91-0757-00	Replaces F14T8 at Top Glass	6.0W	15"	11000K

LED LIGHT BULBS

QT BRIGHTTEK

- 8W — Replacement for the traditional 40W Incandescent lamp
- Low energy consumption
- Available in Warm white (2700-3100K CCT), Natural white (3920-4600K CCT) and Cool white (5500-6600K CCT)
- Edison Medium E27 base
- Long life time: 20,000 hours
- Mercury, UV and IR radiation free
- Manufacturer warranty: 2-years



Part Number	Description
91-0597-00	Warm White LED Light Bulb
91-0598-00	Natural White LED Light Bulb
91-0599-00	Cool White LED Light Bulb

QT BRIGHTTECH T8 LED LIGHT TUBES

QT BRIGHTTEK

SUZOHAPP is your exclusive distributor for QT Brighttek products

- Replacement for T8 Fluorescent tubes
- Low energy consumption
- High luminance and even brightness
- Available in Warm white (2700-3160K CCT), Natural white (3920-4600K CCT) and Cool white (5450-6600K CCT)
- G13 Base
- Mercury, UV and IR radiation free
- No noise or flickering
- Long life time: 25,000 hours
- Manufacturer warranty: 2-years



Part Number	Length	Watts	Color	Replaces
91-0579-00	15"	9W	Warm White	F15T8
91-0580-00	15"	9W	Natural White	F15T8
91-0581-00	15"	9W	Cool White	F15T8
91-0582-00	18"	9W	Warm White	F18T8
91-0583-00	18"	9W	Natural White	F18T8
91-0584-00	18"	9W	Cool White	F18T8
91-0573-00	24"	9W	Warm White	F25T8
91-0574-00	24"	9W	Natural White	F25T8
91-0575-00	24"	9W	Cool White	F25T8
91-0587-00	26"	9W	Warm White	F26T8
91-0588-00	26"	9W	Natural White	F26T8
91-0589-00	26"	9W	Cool White	F26T8
91-0590-00	28"	9W	Warm White	F28T8
91-0591-00	28"	9W	Natural White	F28T8
91-0592-00	28"	9W	Cool White	F28T8
91-0593-00	30"	9W	Warm White	F30T8
91-0594-00	30"	9W	Natural White	F30T8
91-0595-00	30"	9W	Cool White	F30T8
91-0576-00	48"	18W	Warm White	F40T8
91-0577-00	48"	18W	Natural White	F40T8
91-0578-00	48"	18W	Cool White	F40T8

LED SPOTLIGHTS

QT BRIGHTTEK LED MR2 SPOTLIGHTS

- 5W LED replaces the 20W halogen MR16
- Low energy consumption
- Available in various beam angles
- GU5.3 base
- Long life: 20,000 hours
- Available in different colors
- Manufacturer warranty: 2-years



Part Number	Beam Angle	Color
91-0600-00	15°	Warm White
91-0601-00	25°	Warm White
91-0602-00	40°	Warm White
91-0603-00	60°	Warm White
91-0604-00	15°	Cool White
91-0605-00	25°	Cool White
91-0606-00	40°	Cool White
91-0607-00	60°	Cool White
91-0608-00	15°	Blue
91-0609-00	25°	Blue
91-0610-00	40°	Blue
91-0611-00	60°	Blue
91-0612-00	15°	Green
91-0613-00	25°	Green
91-0614-00	40°	Green
91-0615-00	60°	Green

LED CEILING LIGHTS

QT BRIGHTTEK

30W/40W LED FLAT CEILING LIGHT PANELS

- 30W/40W – Replacement for the traditional 80W Fluorescent lamp
- Easily replaces 2' x 2' ceiling panels
- Energy Savings — Saving 55%-70% electricity cost to traditional Panels
- No delay on start, no warm up time required, no noise, no flickering
- Mercury, UV and IR radiation free
- Available in Natural white (3710-4260K CCT) & Cool white (5310-6020K CCT)
- Long life time: 20,000 hours
- Easy to install with mounting brackets
- Size: 600mm x 600mm
- Manufacturer warranty: 2-years



Part Number	Watts	Color	Description
91-0616-00	30W	Natural White	LED Flat Ceiling Light Panel
91-0617-00	40W	Natural White	LED Flat Ceiling Light Panel
91-0618-00	40W	Cool White	LED Flat Ceiling Light Panel

SUZOHAPP is your exclusive distributor for QT Brighttek products

QT BRIGHTTEK LED PAR SPOTLIGHTS

- 12W or 18W LED replaces 75W or 100W halogen PAR lamp
- Low energy consumption
- Available in various beam angles
- Colors: warm white (2850-3500K CCT) & cool white (5500-6500K CCT)
- Edison Medium E27 Base
- Long life: 20,000 hours
- IP65
- Manufacturer warranty: 2-years



Part Number	Size	Watts	Beam Angle	Color
91-0619-00	PAR30	12W	15°	Warm White
91-0620-00	PAR30	12W	25°	Warm White
91-0621-00	PAR30	12W	40°	Warm White
91-0622-00	PAR30	12W	60°	Warm White
91-0623-00	PAR30	12W	15°	Cool White
91-0624-00	PAR30	12W	25°	Cool White
91-0625-00	PAR30	12W	40°	Cool White
91-0626-00	PAR30	12W	60°	Cool White
91-0627-00	PAR38	18W	15°	Warm White
91-0628-00	PAR38	18W	25°	Warm White
91-0629-00	PAR38	18W	40°	Warm White
91-0630-00	PAR38	18W	60°	Warm White
91-0632-00	PAR38	18W	15°	Cool White
91-0633-00	PAR38	18W	25°	Cool White
91-0634-00	PAR38	18W	40°	Cool White
91-0635-00	PAR38	18W	60°	Cool White

QT BRIGHTTEK LED HIGH BAY LAMPS

- 100W – Replacement for the 250W HID High Bay lamp
- Low energy consumption
- Available in Cool white (5700-7500K CCT)
- High lumen output
- Suitable for different ceiling height: 6M, 8M, 20M, and 30M
- UV and IR radiation free
- Optional glass cover for optimized protection
- Manufacturer warranty: 2-years



Part Number	Ceiling Height	Description
91-0636-00	Under 20' (6M)	High Bay Lamp Without Glass Cover
91-0637-00	26'-65' (8M-20M)	High Bay Lamp Without Glass Cover
91-0638-00	26'-65' (8M-20M)	High Bay Lamp With Glass Cover
91-0639-00	65'-98' (20M-30M)	High Bay Lamp Without Glass Cover
91-0640-00	65'-98' (20M-30M)	High Bay Lamp With Glass Cover

OPTEK LED LIGHTING

RGB LED LIGHT STRIPS



CO820 Series



- Reduce energy costs by 40% - 70%
- Eliminate scheduled lighting maintenance costs
- Maximize guest and employee safety
- 5-year warranty
- 90-day on-site evaluation program
- Free lighting simulations
- ROI Calculations
- Patented "Independent Pixel Heat Sink" resulting in unrivalled heat dissipation and light weight
- IP65 weather protection, anti-static, dust proof
- No high voltage, high temperature, or start delay



Area/Street Lighting
Optional square mounting adapter available



Parkade Light



Wallpack Lights



Product Series: CO820 – Area / Street Lighting					
Power Supply	Color Temperature	LED Current	Lens Type	Finish	Accessories
BR - Internal Power Supply Model	4000-4000K 5000-5000K	400 mA	N18 N27 N31 N34	W - White Y - Yellow B - Black S - Silver	N - None P - Photo Sensor D - Dimming Control (0-100%)

Product Series: CO820 – Parkade Lighting					
Power Supply	Color Temperature	LED Current	Lens Type	Finish	Accessories
BC - Integrated Power Supply	4000-4000K 5000-5000K	400 mA	N18	W - White Y - Yellow B - Black S - Silver	N - None P - Photo Sensor D - Dimming Control (0-100%)

Product Series: CO820 – Wallpack Lighting						
Mounting Options	Watts	Color Temperature	LED Current	Lens Type	Finish	Accessories
WP - Wall Pack	30W 40W 60W	4000-4000K 5000-5000K	400 mA	N34	W - White Y - Yellow B - Black S - Silver	N - None P - Photo Sensor D - Dimming Control (0-100%)



- Light strips with opaque bezel contains bright multi color LEDs and when mounted to your cabinet they provide a dazzling light show
- Can be used by themselves
- When used with RGB Xenon Topper it runs from the topper box into the light strips and back
- Wire harness sold separately

LED Light Strip Controller sold separately

- Light strip controllers provide seven pre-defined color and seven pre-defined flashing patterns
- Can synchronize/link color and flashing patterns between controllers and light strips (link cables sold separately)
- Controllers available for 20 LEDs or 40 LEDs
- +12vdc Operation



Controller

Part Number	Description
104-02000	RGB LED Light Strip - 20 LEDs
104-02001	RGB LED Light Strip - 10 LEDs
104-0062	Light Strip Controller - 40 LEDs
104-0056	Light Strip Controller - 20 LEDs
104-0054	Harness for RGB LED Light Strip - for one 20 LED Strip
104-0053	Harness for RGB LED Light Strip - for two 10 LED Strips

CELEBRATION VIDEO TOPPER

CELEBRATION VIDEO TOPPER

Add some celebration & excitement to your casino floor!

This innovative topper design creates a new level of excitement on your casino floor and stimulates additional game play.

Topper interfaces into the SAS line to detect a hand pay signal from the slot machine and when the selected level of hand pay is achieved the topper triggers a "Celebration Event."

Celebration Event options include ANY or ALL of the following:

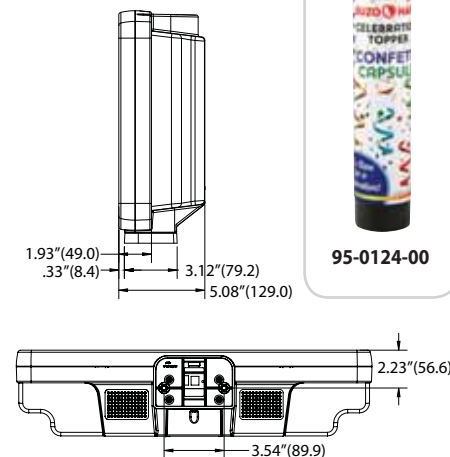
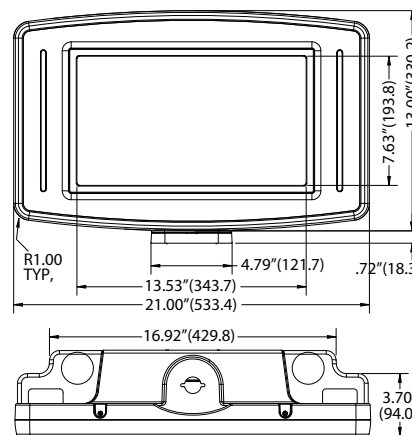
- Confetti launcher throws out bursts of confetti
- Loud 8 Watt Stereo audio celebration alarm/sounds through two 2" x 4" speakers
- Standard or customizable videos on the 15.6" LCD (1366 x 768 resolution)
- Flashing multi-color RGB LEDs on both sides of the LCD
- Event Movement Modules that raises and lowers event attraction modules, such as LED Tubes, Flashers, etc. from within the topper
- 15.6" LCD driven by Network Digital Signage Player
 - 10/100M Ethernet with RJ-45 connector
 - Storage on Compact Flash (CF) card up to 32GB (sold separately — 96-0046-00 for 2GB)
 - NTP, FTP Client, HTTP Client
 - Download Performance over 300KBps with intranet HTTP server (CF Card: Sandisk Extreme IV)
 - Playback Formats of SD Video (1366 x 768): MPEG-1, MPEG-2, MPEG-4, Divx up to 720p
 - Audio Formats of WAV, MP3 (32k – 320k bps)



Pictured with Options

- Image Format of JPEG (max resolution 5120x3840)
- Remote Control
- Remote Control functions of Network setup for client IP, Server IP and other settings
- Bundled Software for Windows XP/ Vista to load, control and monitor client's status and activity
- RSS feed capable
- Includes several Celebration videos that can be further customized for fee by video production company
- Translucent bezel on sides of LCD contains 24 ultra-bright Nichia RGB LEDs for a multi-colored light show
- Pre-programmed with unique flashing patterns & different color combinations
- Backlight graphic panel can be substituted in place of 15.6" LCD

DIMENSIONS



Design Your Celebration Topper with the Matrix Below

rd, Wired Network	
ip & Speakers	
Launchers	
interface PCB, SAS	
dulle, Fiber Optic	
Front Bezel	
nt Bezel	
pl, Black	
pl, Chrome	
LED lights	

A = Option	1 = Display
A = None	1 = 15.6" LCD
B = Confetti Tubes & Event Module	2 = Edge Backlight
C = Confetti Tubes Only	
D = Event Module Only	

- Front of Video Topper has ability for custom branded graphic to be inserted
- Confetti capsules are sold separately (95-0124-00) are spring loaded (safe – no fireworks) and sprays over twenty color stripes with six colors and colorful effects for 3-6 feet (1-2 M) in the air
- Body is constructed of black UL-94 VO flame resistant plastic
- Requires +12vdc
- Three different mounting bases available (sold separately)
 - Flat (RBM-628C)
 - Round (RBM-628D)
 - Slant (RBM-628E)
- Base harness, power supply (RE251-669-01USA, 2 required per topper), and compact flash memory card (96-0046-00) are sold separately
- Tower light optional
- Patent Pending

Part Number	15.6" LCD	Media Card, Wired Network	Audio Amp. & Speakers	Confetti Launchers	Game Interface PCB, SAS	Event Module, Fiber Optic	Chrome Front Bezel	Black Front Bezel	Tower Light, Black	Tower Light, Chrome	RGB Side LED lights
RBM-754K-E1	X							X	X		X
RBM-754K-F1	X							X	X		X
RBM-754S-E1	X					X					X
RBM-754K-A1	X	X	X					X	X		X
RBM-754S-A1	X	X	X			X					X
RBM-754K-C1	X	X	X	X	X			X	X		X
RBM-754S-C1	X	X	X	X	X	X					X

*SAS is a registered trademark of IGT

RGB TOWER LIGHT TOPPER

RGB TOWER LIGHT TOPPER ACCESSORIES



CE

Pictured with Classic Tower Light (Sold Separately)

Pictured with WMS, Aristocrat & Bally Tower Lights (Not Included)

- Designed to be mounted on top of any standard round classic tower light with the included special top mounting bracket
- Works on any standard round tower light that has a diameter between 1.98" (50.29mm) and 2.00" (50.29mm)
- Great for advertising special machine features such as Multi-Denomination, Ticket-In Ticket-Out, Hot New Game, Server Based Gaming, etc.
- Translucent bezel with 20 ultra bright Nichia multi-color RGB LED's provide light output for a elegant multi-colored lightshow
- Pre-Programmed with 8 unique flashing patterns and 7 different color combinations (104-08000)
- Alternative Solid color pattern version available (104-08000-AM)
- Backlit by 9 white high power Nichia LEDs
- Operates on +12vdc power
- Comes with dual sized hex thumb nut that has English (6/32" Thread) and Metric (M4 Thread) for easy installation
- Several optional base/cap adapters make it easy to use on other styles of tower lights:
 - WMS Bluebird I (PR020-670-03)
 - Aristocrat Veridian (95-2860-00)
 - Bally Super Candle (95-0034-00)
- Optional power harness 11-2801-00 makes it easy to install on existing games by simply tapping into +12vdc and ground or simply use the power supply 80-0414-10 into the service outlet inside of machine
- Artwork panel and tower light are not included
- Durable flame retardant UL94 V0 ABS plastic housing
- Small Size: 7.64" W x 6.83" H x 2.34" D

104-08000 *Topper with Standard Color Pattern*

104-08000-AM *Topper with AM Color Pattern*



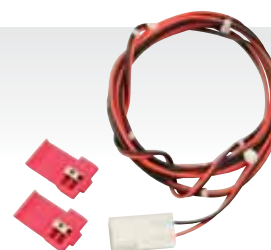
PR020-670-03
Adapter for WMS Bluebird I Tower Light



95-2860-00
Adapter for Aristocrat Veridian Tower Light



95-0034-00
Adapter for Bally Super Candle



11-2801-00



80-0414-10



95-3656-00



95-3657-00



95-3658-00



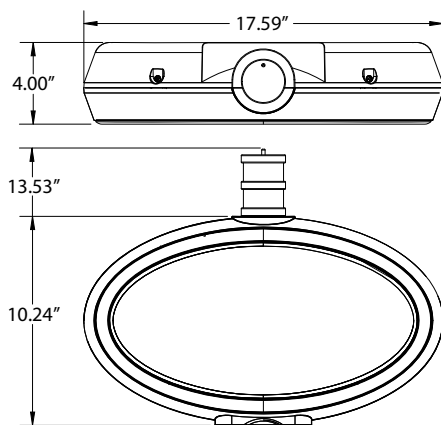
95-3659-00



95-3660-00

Part Number	Description
PR020-670-03	Base/Cap Adapter for WMS Bluebird I Tower Light
95-2860-00	Base/Cap Adapter for Aristocrat Veridian Tower Light
95-0034-00	Base/Cap Adapter for Bally Super Candle
11-2801-00	Power Extension Harness Kit for RGB Tower Light Topper
80-0414-10	Power Supply, +12vdc 2.5A for RGB Tower Light Topper
95-3656-00	"Hot New Game" Plexi for Tower Light Topper
95-3657-00	1 Cent Denomination Plexi for Tower Light Topper
95-3658-00	5 Cents Denomination Plexi for Tower Light Topper
95-3659-00	25 Cents Denomination Plexi for Tower Light Topper
95-3660-00	\$1 Denomination Plexi for Tower Light Topper

RGB OVAL TOPPER

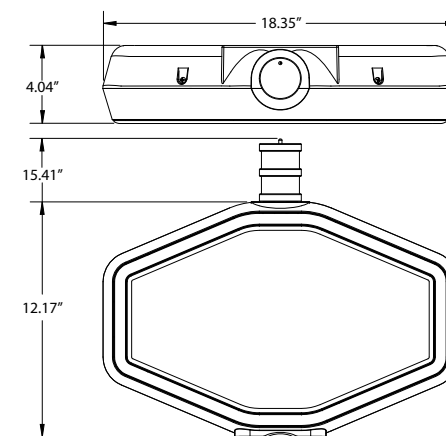


Pictured with Mounting Base
(Sold Separately)



DIMENSIONS

RGB POLYGON TOPPER



Pictured with Mounting Base
(Sold Separately)



DIMENSIONS

- Great for drawing increased attention to your Hot New or top earning machines
- Completely backlit by 3 High Powered white LEDs that have a high Color Rendering Index (CRI) to make your graphics look outstanding
- Translucent bezel contains 40 ultra bright Nichia RGB LEDs for a multi-colored light show
- Includes 2 Tier tower light with color foils - Pink(1), Purple(1), Teal(1), Std. Blue(2), Std. Green(1), Orange(1), Red(1), Yellow(1) and White(1)
- Pre-programmed with 10 unique flashing patterns and 7 different color combinations
- Requires +12vdc (3 Amps)
- Body is constructed of black UL-94 VO flame resistant plastic
- Four different mounting bases available (sold separately)
 - Flat (95-2862-00)
 - Round (95-2863-00)
 - Slant (95-2865-00)
 - Arch (95-2864-00)

- Base harness (95-2866-00) and power supply (80-0071-00) are both sold separately
- Artwork panel not included
- USB Version available for Replacement use on IGT Games - to be plugged into IGT host for complete game control of unique colors and flashing patterns sent from USB host

95-2861-00
RGB Oval Topper

91440200
USB Version - Replacement for use on IGT Games

- Great for drawing increased attention to your hot, new, or top earning machines
- Completely backlit by 3 High Powered white LEDs that have a high Color Rendering Index (CRI) to make your graphics look outstanding
- Translucent bezel contains 48 ultra bright Nichia RGB LEDs for a multi-colored light show
- Includes 2 Tier tower light with color foils - Pink(1), Purple(1), Teal(1), Std. Blue(2), Std. Green(1), Orange(1), Red(1), Yellow(1) and White(1)
- Pre-programmed with 10 unique flashing patterns and 7 different color combinations
- Requires +12vdc (3 Amps)
- Body is constructed of black UL-94 VO flame resistant plastic
- Four different mounting bases available (sold separately)
 - Flat (95-2862-00)
 - Round (95-2863-00)
 - Slant (95-2865-00)
 - Arch (95-2864-00)

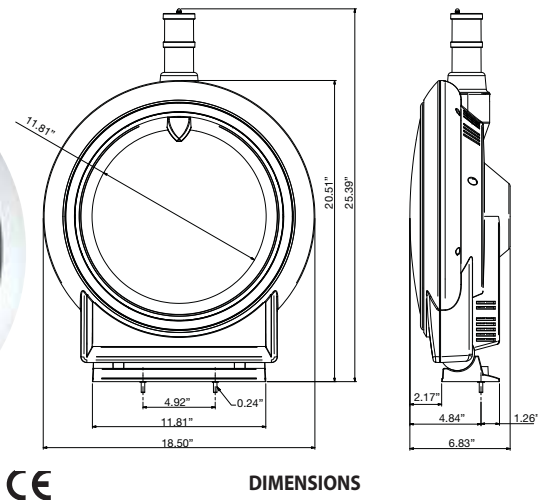
- Base harness (95-2866-00) and power supply (80-0071-00) are both sold separately
- Artwork panel not included
- USB Version available for Replacement use on IGT Games - to be plugged into IGT host for complete game control of unique colors and flashing patterns sent from USB host

95-2852-00
RGB Polygon Topper

91440000
USB Version - Replacement for use on IGT Games

ROUND VIDEO TOPPER

THE SUZO-HAPP LINE OF TOPPERS



DIMENSIONS

- Offers the game designer flexibility to incorporate new and varied concepts
- Any games based on a disc/wheel type such as Roulette, Lottery Wheel, Clock Type game are economical and easy to develop
- Elegantly designed in Samsung 19" LCD E4 panel with 178° wide viewing angle
- Provides the appearance of the top monitor being round
- Bottom section has two windows where game features can be displayed or they can be blanked out
- Monitor adjustments are easily accessible
- Two different illumination effects available
 - Multi-Color LEDs behind a translucent bezel
 - White LEDs behind a black chromed bezel

- Equipped with *Xtopper* which provides a customized RS232 (USB in future) control-board designed by Suzo-Happ
- *Xtopper* is a powerful tool which allows a game designer to make any interactive game concept
- Ideal for OEMs to economically upgrade existing machines already installed in the casino to create a total new game concept
- Durable and flame retardant UL94 VO ABS plastic housing
- Two on-board power supplies provide power to control both LCD panel along with the illumination
- Adjustable mounting base included
- CE approved
- Size: 18.50" W x 20.51" H x 6.81" D

1042XXX
Round Video Topper

Custom Wheel Topper Solutions Available! for the Round Video Topper!
See your SUZO-HAPP Representative for details.



CELEBRATION VIDEO TOPPER
RBM754X-XX



RGB TOWER LIGHT TOPPER
104-08000 Standard Color
104-08000-AM AM Color



LED XENON TOPPER
104-07890SM



ELIPSE & MINI ELLIPSE TOPPER
104-05890 Ellipse
104-05890 Mini Ellipse



UPRIGHT TOPPER
104-01000



RGB ELLIPSE TOPPER
104-06000



RGB OVAL TOPPER
95-2861-00 RGB Oval Topper
91440200 USB Version for IGT Games



RGB PILL TOPPER
95-2850-00 RGB Pill Topper
91440100 USB Version for IGT Games



RGB POLYGON TOPPER
95-2852-00 RGB Polygon Topper
91440000 USB Version for IGT Games



ROUND TOPPER
1022XXX



REEL TOPPER
1041XXX



ROUND VIDEO TOPPER
1042XXX

New OVERHEAD SIGNAGE

Overhead display designed specifically for jackpot signage

The slimline design makes the signage lightweight and installation simple. The signage can be mounted using a pole style stand designed to fit within an existing bank of gaming machines. The stand can be used to create a double sided overhead display and the height of the signage can be adjusted with four height increments provided. A standard mounting bracket allows for the display to be wall mounted.



The display features a premium 42" FHD industrial LCD panel. LED edge-lit acrylic either side of the screen provides additional branding with customized graphic artwork.

Features:

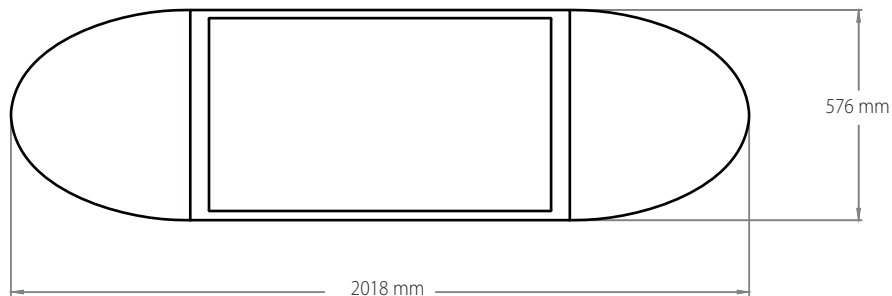
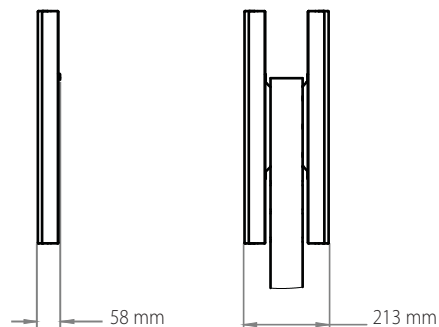
- Slimline; Stand or wall mount
- Edge-lit acrylic
- Single or double sided
- Accepts custom graphic artwork
- Simple installation & Lightweight

Display Specifications:

- 42" LCD with premium industrial grade FHD LED Panel
- Resolution: 1920 x 1080
- Wide Viewing Angle

Power Supply:

- Input voltage 240V AC



MULTI-TOUCH TV TABLE **New**

The Sportvision TV Table from Suzo-Happ provides a unique bezel free 10-point multi-touch table experience that is suitable for a wide range of applications.



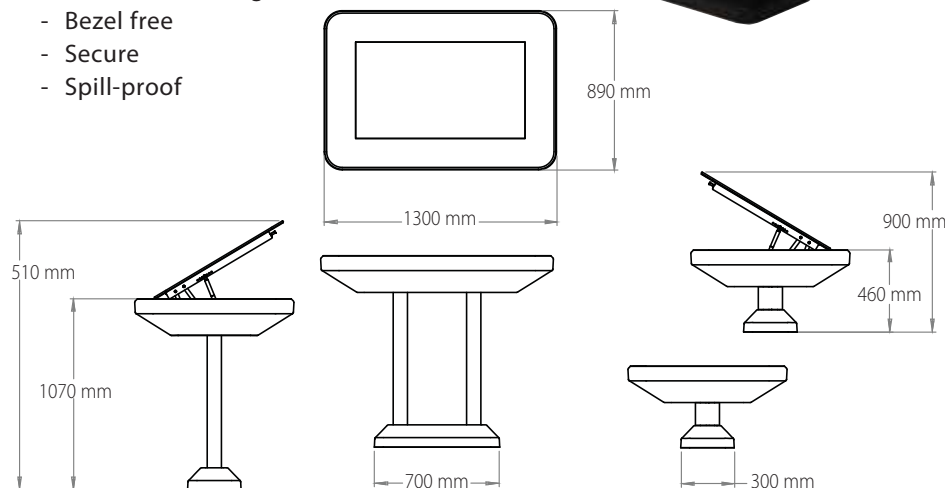
Featuring a very robust 6mm thick toughened glass, 10-point multi-touch projective capacitive touch screen and a premium industrial quality 42" FHD LCD, mounted inside an attractive high gloss black ABS housing, the table is supplied with an industrial grade fanless PC to meet the most demanding requirements.

This table can be used in a host of different applications including hospitality, retail, gaming or indeed any application where there is a need for more than one person at a time to interact with a system.

The table is manufactured to withstand harsh environments and is manufactured from industrial grade components, ensuring high reliability and high customer satisfaction. Its design allows easy access to all the component parts, ensuring that servicing can be done quickly and efficiently.

Features:

- Multiple screen configurations (1, 2, or 4 screens)
- 2 different models (bar & lounge)
- Custom multi-touch interface
- Screens live digital TV
- Internet browsing
- Bezel free
- Secure
- Spill-proof



New BANK END SIGNAGE

This contemporary display is designed specifically for end of bank signage in a gaming venue. The slimline signage design has a small footprint and bolts onto the existing bases in the venues, with cabling coming up through the base.

The display features a premium 42" FHD industrial LCD panel, with toughened glass for screen protection. Options for the PC include an industrial signage PC that is able to run up to three displays or a media player board that supports USB media playback. Content management software is available that allows zoning of display, news feed tickers and scheduling of content remotely.

The decorative colored translucent acrylic surround is edge lit with LEDs. A range of colors for both the acrylic and LEDs is available for a customized design.

Features:

- Slimline, small footprint with concealed mounting points
- Remote content scheduling & zoning
- Edge lit translucent acrylic

Display Specifications:

- 42" LCD; portrait mode; 1080 x 1920 resolution; wide viewing angle
- Premium industrial grade FHD LED panel

PC Specifications:

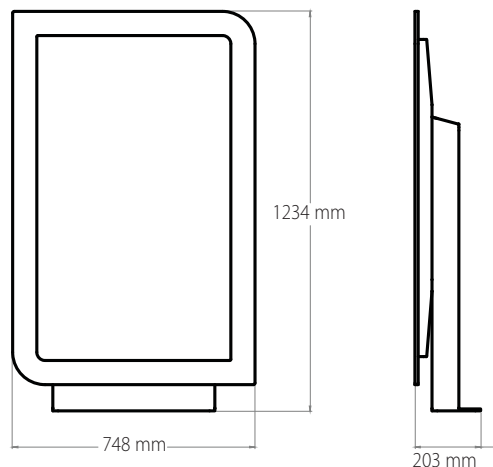
- i5 Industrial PC
- Runs up to 3 individual displays

Power Supply:

- Input voltage 240V AC

Color Options:

- Acrylic: clear, white, red, orange, green, blue, purple, pink
- LEDs: white, red, blue, green, yellow, purple, amber



WAYFINDING

Interactive Maps Utilizing a Static Directory

For Casinos or any venue that currently uses a static directory. Our Wayfinding solution provides intuitive directions through an on-screen destination path. The map can be rotated to orient to the way the kiosk is positioned on your floor. Our "Wayfinding Engine" also draws the shortest distance to the destination based on all available pathways! Updates can be added without Jupiterbay's assistance utilizing FusionCast, our Digital Signage & Interactive Kiosk software suite.



Features

- A variety of intuitive search methods help your visitors locate their destination
- Integrate video, images & sound
- Lower the number of inquiries to your front desk, reducing staff
- Easily integrate advertising yielding increased revenue
- Manage remote locations from your web browser with our web-based editor, making instant changes to your listings
- Custom enclosures to match any environment
- Weatherproof outdoor solutions available

iSLOTFINDER

Give guests the means to easily locate favorite slots or table games on your casino floor! Simply walk up to the touch screen, select a game and watch as the screen draws the shortest path there.

Features:

- Provide visitors with directions to their favorite slots/games
- Easy to use, intuitive interface
- Support for families of games (variation of main title)
- Link slot management software to iSlot
- Finder to make changes seamless
- Search games based on denomination, name or theme
- Players can swipe their reward cards and display previously selected slots
- Available in 32", 40", 46" & 57" LCD screen sizes with integrated touch
- Can be wall mounted, end of slot bank or self-standing
- Integrates with "Virtual Concierge" module from Jupiterbay
- Add details about on-site restaurants, events & amenities
- Outdoor units available



TOUCH SCREENS



3M Touch Screens

Part No.	3M Ref. No.	Sensor Size	Used On	Description	Technical Notes
6" – 15" Touch Screens					
49-2873-00	17-8091-206	6.71"	Bally	Sensor Only	
49-2824-00	17-8091-223	6.71"	WMS Bluebird	Sensor & Controller Board	Replaces T.I. 57-64FA-002-512, Replaces AG+E 017-0343-001; Replaces 17-8091-204
49-14536-00	17-9231-206	15.55"	IGT	Sensor Only	Can be used for OEM #17-9232-206-02
49-2874-00	17-8031-203	15.68"	IGT	Sensor Only	Can be used for OEM Part #17-8032-203-02
49-5099-10	17-8031-206	15.68"	AMI, Merit, Rowe	Sensor Only	
17-8031-221	17-8031-221	15.68"	Electronic Roulette	Sensor & Controller Board	
17" – 19" Touch Screens					
49-10297-00	17-9271-206	17.21"	IGT	Sensor Only	Can be used for OEM #17-9272-206-02; Replaces 13-8801-06-01MA
49-2879-00	17-8901-206	17.34"	IGT, Merit, Rowe	Sensor Only	
49-2898-00	17-8901-227	17.34"		Sensor & Controller Board	
49-2372-00	17-8421-206	17.54"	Spielo	Sensor Only	
49-2455-00	17-8421-221	17.54"	Atronic, JVL, Coastal Amusements	Sensor & Controller Board	Replaces:17-8421-121MA
49-2711-00	17-8421-221 Kit	17.54"	Atronic	Sensor & Controller Board	Replaces T.I 57-170FA-022-1T
17-8561-206	17-8561-206	17.95"	IGT	Sensor Only	
49-1917-00	13-5331-01MA	18"	Konami	Sensor Only	Replaces T.I 57-170FA-001-1T
49-2271-00	17-8211-206	18.4"	IGT	Sensor Only	
49-2296-00	17-8351-223	18.86"	WMS	Sensor & Controller Board	Replaces 13-8351-123MA, Replaces T.I. 59-180FA-002-1T
49-2586-00	17-8351-204	18.87"	IGT	Sensor Only	Replaces 13-8351-04MA
17-8891-227	17-8891-227	19"	Konami	Sensor & Controller Board	
49-2931-00	17-8411-206	19.06"	AMI, Merit, Rowe	Sensor Only	
17-9251-206	17-9251-206	19.34"	AMI, Rowe	Sensor Only	
49-17956-00	17-9251-223	19.34"		Sensor & Controller Board	
49-2877-00	17-8051-203	19.71"	IGT	Sensor Only	
49-2675-00	17-8051-206	19.71"	Aristocrat, Bally, Cadillac Jack, Konami, Spielo	Sensor Only	Replaces T.I 57-190FA-042-1T, Replaces AG+E 017-0348-001
49-2876-00	17-8051-218	19.71"	IGT	Sensor & Controller Board	Replaces 17-8051-217
49-2920-00	17-8051-221	19.71"		Sensor & Controller Board	
49-2588-00	17-8551-204	19.74"	Bally	Sensor Only	Replaces 3M# 13-8551-04MA
49-2587-00	17-8551-223	19.74"	Konami, WMS 19" Bluebird	Sensor & Controller Board	Replacement for Williams Flat Bluebird Newer Larger Unit (which uses Kristel model #LCD19-011)
49-2875-00	17-8511-206	19.75"	IGT	Sensor Only	Can be used for OEM Part #17-8652-203-02
49-14879-00	17-9141-206	19.83"	IGT	Sensor only	OEM RefNo 17-9142-206-02; Rev 02

TOUCH SCREENS

3M Touch Screens *continued*

Part No.	3M Ref. No.	Sensor Size	Used On	Description	Technical Notes
20" – 32" Touch Screens					
49-2872-00	17-9031-206	20.27"	Bally	Sensor Only	Can be used for 3M OEM Part #17-9031-206-01
17-9031-221	17-9031-221	20.27"	IGT	Sensor & Controller Board	
49-1084-00	98-0003-4250-5	20.38"	IGT	Sensor with novram cable	Can use for OEM Ref #17-9830-201-01; Rev 01
49-1085-00	98-1100-0002-7	20.38"	IGT	Sensor with novram cable	Can use for OEM Ref No 17-9832-206-01; Rev 01
49-2882-00	17-8441-223	20.65"	WMS	Sensor & Controller Board	
49-2880-00	17-9261-206	20.65"	IGT	Sensor Only	For IGT G-20
49-2905-00	17-9321-206	20.69"	IGT	Sensor Only	Can be used for OEM # 17-9322-206-01; Rev 01
49-1081-00	98-1100-0003-5	20.69"	IGT	Sensor with novram cable	Can use for OEM Ref No 17-9320-206-01; Rev 01
17-9721-227	17-9721-227	21.78"	Aristocrat, Bally	Sensor & Controller Board	Used in the Aristocrat Viridian with Kortek 22" monitor
49-11936-00	17-9311-226	22"	WMS	Sensor & Controller Board	Replaces 17-9311-225
49-15226-00	17-9331-206	22.22"	IGT	Sensor Only	Can be used for # 17-9332-206-01; Rev 01; SCT3250; 24"NOV
49-1093-00	98-1100-0004-3	22.22"	IGT	Sensor with novram cable	Can use for OEM Ref No 17-9330-206-01; Rev 01
49-2878-00	17-9311-206	22.37"	IGT	Sensor Only	For IGT G-22
49-2883-00	17-9311-227	22.37"	WMS, Aristocrat Viridian Gen 7	Sensor & Controller Board	Replacement for Wells-Gardner Monitor WGF2258-TSAM70Y
49-2784-00	17-8061-206	22.52"	Bally, WMS 19" Bluebird	Sensor Only	Used on Williams 19" Bluebird with Kristel monitor LCD19-001 & used on Bally Alpha 19" M9000 with Tatung monitor
49-15401-00	17-9151-206	23.6"	IGT	Sensor Only	Can be used for OEM # 17-9152-206-02; Rev 03
49-2865-00	17-8931-206	26.28"	Bally Cinevision	Sensor Only	Can be used for OEM Part No:17-8931-206-01
17-8951-206	17-8951-206	31.81"	Atronic, Bally 32"	Sensor Only	Bally Roulette Game
17-8951-227-01	17-8951-227	31.81"	AMI, Bally 32V	Sensor & Controller Board	32" Vertical Touchscreen for the Tatung LCD, Model L32LA50M2W53A04

Ceronix Touch Screens

49-0172-00	CPM2316KA	15"	Ceronix 150SLCD, CPA 4054L		For 15" Ceronix LCD bar top monitors for IGT
CPM2317	CPM2317	17"	Ceronix Monitors	Sensor with novram cable	17" CTKII Touch Screen with Nov RAM
CPM2316B	CPM2316B	15"	Ceronix Monitors		15" ATO Touch Sensor for Ceronix Monitors
CPM2318K	CPM2318K	15"	Ceronix Monitors	Sensor with novram cable	19" CTKII Touch Screen

DigiTech Touch Screens

EST-200A	EST-200A	13" x 9"	Kortek KTL200MD-01	Sensor Only	Used on newer model MLD's Kortek LCDs
EST-200B	EST-200B	20"			
EST-170D	EST-170D	17"			DigiTech EST Capacitive touch screen
49-2780-00	EST-190B	19"	IGT; Kortek KTL-190LS06		Flat Touch Screen EST-190B
EST-190D	EST-190D	19"		Sensor Only	DigiTech 19" Flat Touch Screen Sensor
EST-201A	EST-201A	20"	IGT G20		
EST-173A	EST-173A	17" x 3"		Sensor Only	DigiTech EST Capacitive touch screen
EST-220B	EST-220B	22"			Digitech 22" Touch Screen

REPLACEMENT CERONIX MONITORS



CPA2413



CPA5090



49-3917-00

49-2732-00

AGS REPLACEMENT MONITORS

Part No.	Ceronix #	Description	Panel	Viewing Angle	Used On
CPA2204	CPA2204	17" LCD Serial TouchMonitor	TN	160°	AGS

ARISTOCRAT REPLACEMENT MONITORS

Part No.	Ceronix #	Description	Panel	Viewing Angle	Used On
CPA2408	CPA2408	19" OEM LCD Monitor	TN	170° H, 160° V	MAV540, MK5, MK6r
CPA2413	CPA2413	19" LCD Upright	TN	170° H, 160° V	MK5
CPA2417	CPA2417	19" (18V) Upright (long/short neck)	TN	170° H, 160° V	MK6, MAV500
CPA2419	CPA2419	19" OEM Slant Top LCD Monitor	TN	170° H, 160° V	Viridian also
CPA2439	CPA2439	19" LCD Upright Monitor with Glass	TN	170° H, 160° V	Viridian Top Box
49-0263-00	CPA4038L	19" Upright Glass	MVA	178°	MK5 without touch
49-5000-00	CPA4056L	19" OEM LCD Monitor	MVA	178°	MAV540, MK5, MK6
49-2910-00	CPA4078L	19" LCD Upright	MVA	178°	MK5
49-29891-00	CPA4083L	19" Upright Glass	MVA	178°	MK5 without touch - Australia
49-3214-00	CPA4085L	17" Slant Top	PVA	178°	Crown Slant
49-2639-00	CPA4088L	19" (18V) Upright (long/short neck)	MVA	178°	MK6, MAV500
49-0460-00	CPA4092L	19" OEM Slant Top LCD Monitor	MVA	178°	Viridian also
CPA5090	CPA5090	22" LCD Serial TouchMonitor	PMVA	178°	Viridian WS (MK7) - Upright, Vii Slant - Slant
CPA5091	CPA5091	22" LCD Monitor with Glass	PMVA	178°	Viridian WS (MK7) - Upright, Vii Slant - Slant / Viridian Hybrid 21.5 replacement
CPA5099	CPA5099	22" LCD Serial TouchMonitor	TN	160°	Viridian WS (MK7) - Upright, Vii Slant - Slant
CPA6000	CPA6000	22" LCD Monitor with Glass	TN	160°	Viridian WS (MK7) - Upright, Vii Slant - Slant / Viridian Hybrid 21.5 replacement
CPA6044	CPA6044	19" LCD Upright Monitor with Glass	MVA	178°	Viridian Top Box

ATRONIC / SPIELO REPLACEMENT MONITORS

Part No.	Ceronix #	Description	Panel	Viewing Angle	Used On
CPA2219	CPA2219	17" Universal	TN	160°	Atronic / Spielo Machines
CPA2224	CPA2224	17" Upright	MVA	178°	Cashline
49-0179-00	CPA3032	32" LCD Monitor	SPVA	178°	Topper
49-3917-00	CPA4077L	17" Universal	PVA	178°	Atronic / Spielo Machines
49-4096-00	CPA4095L	17" Upright	PVA	178°	Cashline
CPA6027	CPA6027	22" LCD Monitor with Glass	PMVA	178°	Prodigii VU
CPA6028	CPA6028	22" LCD Serial TouchMonitor	PMVA	178°	Prodigii VU
CPA6029	CPA6029	22" LCD Monitor with Glass	TN	160°	Prodigii VU
CPA6030	CPA6030	22" LCD Serial TouchMonitor	TN	160°	Prodigii VU

BRUNSWICK REPLACEMENT MONITORS

Part No.	Ceronix #	Description	Panel	Viewing Angle	Used On
49-16837-00	CPA3007	15" LCD Monitor without Touch	TN	160° H, 140° V	Score Display
49-17021-00	CPA3009	15" LCD Serial TouchMonitor	TN	160° H, 140° V	Score Display

REPLACEMENT CERONIX MONITORS

BALLY REPLACEMENT MONITORS

Part No.	Ceronix #	Description	Panel	Viewing Angle	Used On
CPA2208	CPA2208	17" Slant Top TouchMonitor	TN	160°	Bally Slant Top
CPA2217	CPA2217	17" Upright	TN	160°	Evo
CPA2415	CPA2415	19" Upright	TN	170° H, 160° V	Bally 9000
49-6671-00	CPA3001	15" Upright (Gameworker)	TN	160° H, 140° V	Gameworker (V7000)
49-12091-00	CPA3002	15" Bartop 6 Degree Serial Touch	TNRS	160°	Bally Bar Top
CPA3020	CPA3020	20" DC Glass	SPVA	178°	20" bartop
49-11027-0	CPA3039	32" LCD Serial TouchMonitor	SPVA	178°	V32 Alpha Elite
49-10732-00	CPA3095	20" DC Serial Touch	SPVA	178°	20" bartop
49-10879-00	CPA3097	26" AC Serial Touch	SPVA	178°	Bally Cinevision
49-0381-00	CPA4001	15" Upright (Gameworker)	MVA	178°	Gameworker Plus (V7200)
49-0217-00	CPA4021L	17" Slant Top	PVA	178°	Bally Slant Top Machines
49-4657-00	CPA4059L	15" Bartop 15 Degree Top Mount	TNRS	160°	MDL VMPL0F157
49-2638-00	CPA4067L	17" Upright	PVA	178°	Evo
CPA4080L	CPA4080L	19" Upright	MVA	178°	Bally 9000
CPA5016	CPA5016	15" LCD Serial TouchMonitor	TNRS	160°	Topper
CPA5082	CPA5082	26" LCD USB TouchMonitor	SPVA	178°	Bally Cinevision
CPA5088	CPA5088	21.5" DC Upright Serial Touch	MVA	178°	V22 Upright / Alpha Pro Series 1
CPA5089	CPA5089	21.5" DC Upright Glass	MVA	178°	V22 Upright / Alpha Pro Series 1
CPA6001	CPA6001	21.5" DC Upright Serial Touch	TN	160°	V22 Upright / Alpha Pro Series 1
CPA5014-UC	CPA5014	15" LCD Serial TouchMonitor	TNRS	160	Bally Bartop, United Coin
CPA6021	CPA6021	21.5" DC Slant Serial Touch	MVA	178°	V22/V26 Slant / Alpha Pro Series 2
CPA6047	CPA6047	32" LCD Serial TouchMonitor	SPVA	178°	V32 Alpha Pro 1

GOLDEN GAMING REPLACEMENT MONITOR

Part No.	Ceronix #	Description	Panel	Viewing Angle	Used On
CPA3083GG	CPA3083	15" LCD TouchMonitor - Netplex	TNRS	160°	Golden Gaming Bartop

IGT REPLACEMENT MONITORS

Part No.	Ceronix #	Description	Panel	Viewing Angle	Used On
CPA3051	CPA3051	15" LCD TouchMonitor - Netplex	TNRS	160°	IGT Bartop, No Bezel
CPA2212	CPA2212	17" Upright (I-Game) AVP 25 Pin	TN	160°	I-Game
CPA2213	CPA2213	17" Upright 19 Pin (3800/3900 Board)	TN	160°	I-Game
CPA2214	CPA2214	17" Upright 19 Pin (3902/4400 Board)	TN	160°	I-Game
CPA2215	CPA2215	17" Slant Top 19 Pin (3800/3900 Board)	TN	160°	Netplex
CPA2216	CPA2216	17" Slant Top 19 Pin (3902/4400 Board)	TN	160°	Netplex
CPA2400	CPA2400	19" OEM TrimLine Monitor - Top Unit	TN	170° H, 160° V	Trimline
CPA2401	CPA2401	19" Trimline Touch - Bottom Unit	TN	170° H, 160° V	Trimline
CPA2404	CPA2404	19" (18V) Upright 25 Pin	TN	170° H, 160° V	Game King Plus
CPA2405	CPA2405	19" Upright 19 Pin (3800/3900 Board)	TN	170° H, 160° V	Game King
CPA2409	CPA2409	19" (18V) Upright 25 Pin	TN	170° H, 160° V	Game King Plus
CPA2420	CPA2420	19" (18V) Slant Top AVP 25 Pin	TN	170° H, 160° V	
CPA2421	CPA2421	19" (18V) Slant Top 19 Pin (3800/3900 Board)	TN	170° H, 160° V	
CPA2422	CPA2422	19" Upright 19 Pin (3902/4400 Board)	TN	170° H, 160° V	Game King
CPA2423	CPA2423	19" (18V) Slant Top 19 Pin (3902/4400 Board)	TN	170° H, 160° V	
49-11176-00	CPA3003	15" LCD Upright Monitor with Glass	TN	160° H, 140° V	Players Edge/Players Edge Plus
49-14029-00	CPA3005	15" LCD Slant Monitor with Glass	TN	160° H, 140° V	Players Edge/Players Edge Plus
49-21322-00	CPA3006	15" LCD Slant Monitor with Glass	TNRS	160°	Players Edge/Players Edge Plus
49-0297-00	CPA3016	19" OEM TrimLine Monitor - Top Unit	MVA	178°	Trimline
49-0310-00	CPA3017	19" Trimline Touch - Bottom Unit	MVA	178°	Trimline
CPA3051	CPA3051	15" LCD TouchMonitor - Netplex	TNRS	160°	IGT Bartop, No Bezel
CPA3065	CPA3065	19" AVP Slant USB Touch	MVA	178°	

Exclusive

Exclusive

Exclusive

REPLACEMENT CERONIX MONITORS

REPLACEMENT CERONIX MONITORS

IGT REPLACEMENT MONITORS <i>continued</i>					
Part No.	Ceronix #	Description	Panel	Viewing Angle	Used On
49-12562-00	CPA3087	22" LCD AVP Widescreen USB TouchMonitor	PMVA	178°	AVP Widescreen
CPA3088	CPA3088	22" LCD AVP Widescreen Monitor with Glass	PMVA	178°	AVP Widescreen
49-12404-00	CPA3096	20.1" LCD Netplex Touchmonitor	TN	160°	Bartop Model
CPA4003L	CPA4003L	19" LCD Upright Monitor with Glass	MVA	178°	Players Edge Plus
49-0258-00	CPA4008L	19" (18V) Upright (Game King Plus) 25 Pin	MVA	178°	Game King Plus
CPA4013L	CPA4013L	15" Upright (Game King) (3800/3900 Board)	TN	160° H, 140° V	Game King
49-2680-00	CPA4020L	19" Upright 19 Pin (3800/3900 Board)	MVA	178°	Game King
49-2793-00	CPA4022L	15" Bartop Flush Mount (3800/3900 Board)	TNRS	160°	Bartop
CPA4023L	CPA4023L	15" Slant Top (3800/3900 Board)	TNRS	160°	Game King
49-2606-00	CPA4045L	15" Bartop (3800/3900 Board)	TNRS	160°	Bartop with 6 Degree Recessed Mount
49-5110-00	CPA4049L	17" Upright (I-Game) AVP 25 Pin	PVA	178°	I-Game
49-2694-00	CPA4050L	17" Upright 19 Pin (3800/3900 Board)	PVA	178°	I-Game
49-2827-00	CPA4051L	17" Slant Top 19 Pin (3800/3900 Board)	PVA	178°	Slant Top
49-2732-00	CPA4054L	15" Bartop 15" Top Mount (3800/3900 Board)	TNRS	160°	Bartop
49-2713-00	CPA4062L	19" (18V) Upright 25 Pin	MVA	178°	Game King Plus
49-2720-00	CPA4096L	19" (18V) Slant Top AVP 25 Pin	MVA	178°	Slant Top
49-2792-00	CPA4097L	19" (18V) Slant Top 19 Pin (3800/3900 Board)	MVA	178°	Slant Top
CPA5019	CPA5019	15" LCD TouchMonitor - Netplex	TNRS	160°	Bartop, 15°, no controller, 3800/3900 board
CPA5020	CPA5020	19" Upright 19 Pin (3902/4400 Board)	MVA	178°	Game King
CPA5021	CPA5021	15" LCD TouchMonitor - Netplex	TNRS	160°	Bartop, 15°, no controller, 3902/4400 board
CPA5024	CPA5024	15" LCD Flat Bartop with Glass	TNRS	160°	Players Edge
CPA5037	CPA5037	20.1" LCD Monitor with Glass	TN	160°	
CPA5048	CPA5048	20.1" LCD USB TouchMonitor	TN	160°	
49-9731-00	CPA5050	17" Upright 19 Pin (3902/4400 Board)	PVA	178°	I-Game
CPA5051	CPA5051	17" Slant Top 19 Pin (3902/4400 Board)	PVA	178°	IGT Slant Top
49-11477-00	CPA5054	15" Bartop (3902/4400 Board)	TNRS	160°	Bartop with 15 Degree Top Mount
CPA5077	CPA5077	20.1" LCD USB TouchMonitor	TN	160°	Bartop Model
CPA5096	CPA5096	22" LCD AVP Widescreen USB TouchMonitor	TN	160°	AVP Widescreen
CPA5097	CPA5097	19" (18V) Slant Top 19 Pin (3902/4400 Board)	MVA	178°	Slant Top
CPA5098	CPA5098	22" LCD AVP Widescreen Monitor with Glass	TN	160°	AVP Widescreen
CPA6017	CPA6017	23" LCD Monitor with Glass	PVA	178°	G23 Cabinet
CPA6025	CPA6025	23" LCD USB TouchMonitor	PVA	178°	G23 Cabinet
CPA6032	CPA6032	20.1" LCD MLD - Bottom Display			
INTRALOT REPLACEMENT MONITOR					
Part No.	Ceronix #	Description	Panel	Viewing Angle	Used On
CPA2438	CPA2438	19" LCD Serial TouchMonitor	TN	170° H 160° V	3M Touch, power cable, vga cable
KONAMI REPLACEMENT MONITORS					
Part No.	Ceronix #	Description	Panel	Viewing Angle	Used On
CPA2221	CPA2221	17" Upright	TN	160°	
CPA2406	CPA2406	19" OEM LCD Bottom Box Monitor	TN	170° H 160° V	K2V Upright 2.0
CPA2424	CPA2424	19" OEM LCD Top Box Monitor	TN	170° H 160° V	K2V Upright 2.0
49-12881-00	CPA3022	22" OEM LCD TouchMonitor	PMVA	178°	Podium
49-0237-00	CPA4028L	19" OEM LCD Bottom Box Monitor	MVA	178°	K2V Upright 2.0
49-12247-00	CPA4065L	19" OEM LCD Top Box Monitor	MVA	178°	K2V Upright 2.0
49-2430-00	CPA4081L	19" Slant Top	MVA	178°	
49-2637-00	CPA4089L	17" Upright	PVA	178°	
CPA5092	CPA5092	22" OEM LCD TouchMonitor	TN	160°	Podium
CPA6010	CPA6010	22" OEM LCD Monitor with Glass	PMVA	178°	Podium
CPA6011	CPA6011	22" OEM LCD Monitor with Glass	TN	160°	Podium

New

Exclusive

LEISURE TIME REPLACEMENT MONITORS					
Part No.	Ceronix #	Description	Panel	Viewing Angle	Used On
CPA2410	CPA2410	19" LCD Upright Touchmonitor	TN	170 H, 160 V	Pot of Gold
49-0259-00	CPA4063L	19" LCD Upright Touchmonitor	MVA	178°	Pot of Gold
CPA5067	CPA5067	19" LCD Serial TouchMonitor	MVA	178°	Pot of Gold, T340+ LCD Ready Board compatible
MULTIMEDIA GAMES REPLACEMENT MONITORS					
Part No.	Ceronix #	Description	Panel	Viewing Angle	Used On
CPA6040	CPA6040	23" LCD USB TouchMonitor			
CPA6041	CPA6041	23" LCD Monitor with Glass			
SIERRA DESIGN REPLACEMENT MONITORS					
Part No.	Ceronix #	Description	Panel	Viewing Angle	Used On
CPA2218	CPA2218	17" Slant Top	TN	160°	
	CPA2412	19" LCD Upright (Game King) 19 Pin	TN	170° H 160° V	SDG/Bally Alpha
	CPA2414	19" Upright 25 Pin	TN	170° H 160° V	
49-8647-00	CPA4075L	17" Slant Top	PVA	178°	SDG/Bally Alpha
49-8779-00	CPA4076L	19" LCD Upright (Game King) 19 Pin	MVA	178°	SDG/Bally Alpha
CPA4079L	CPA4079L	19" Upright 25 Pin	MVA	178°	
WESTERN MONEY REPLACEMENT MONITORS					
Part No.	Ceronix #	Description	Panel	Viewing Angle	Used On
CPA2205	CPA2205	17" LCD Serial TouchMonitor	TN	160°	
	CPA2206	17" LCD Monitor with Glass	TN	160°	
CPA3052	CPA3052	17" LCD Serial TouchMonitor	PVA	178°	
CPA3053	CPA3053	17" LCD Monitor with Glass	PVA	178°	
CPA3054	CPA3054	15" LCD Serial TouchMonitor	TN	160° H 140° V	
CPA3055	CPA3055	15" LCD Monitor with Glass	TN	160° H 140° V	
CPA3056	CPA3056	19" LCD Serial TouchMonitor	MVA	178°	
CPA3058	CPA3058	19" LCD Monitor with Glass	MVA	178°	
WMS REPLACEMENT MONITORS					
Part No.	Ceronix #	Description	Panel	Viewing Angle	Used On
CPA2222	CPA2222	17" Upright	TN	160°	550
CPA2411	CPA2411	19" LCD Slant Top	TN	170° H 160° V	360
CPA2416	CPA2416	19" LCD for 18.1" Bluebird	TN	170° H 160° V	Bluebird
CPA2418	CPA2418	19" LCD for 19" Bluebird Slant Top Monitor	TN	170° H 160° V	Bluebird
CPA2431	CPA2431	19" LCD for 19" LCD Bluebird	TN	170° H 160° V	Bluebird
CPA2435	CPA2435	19" LCD Upright Monitor with Glass	TN	170° H 160° V	Lava BBU
CPA3079	CPA3079	22" LCD with Glass	PMVA	178°	Bluebird 2
CPA3080	CPA3080	22" LCD Serial Touchmonitor	PMVA	178°	Bluebird 2
49-8386-00	CPA3092	19" LCD for 19" LCD Bluebird	MVA	178°	Bluebird
49-2635-00	CPA4064L	19" LCD Slant Top	MVA	178°	360
49-2769-00	CPA4082L	19" LCD for 18.1" LCD Bluebird	MVA	178°	Bluebird
49-2636-00	CPA4090L	17" Upright	PVA	178°	550
49-0256-00	CPA4091L	19" LCD for 19" Bluebird Slant Top Monitor	MVA	178°	Bluebird
CPA5094	CPA5094	22" LCD with Glass	TN	160°	Bluebird 2
CPA5095	CPA5095	22" LCD Serial Touchmonitor	TN	160°	Bluebird 2
CPA6008	CPA6008	19" LCD Upright Monitor with Glass	MVA	178°	Lava BBU

Check the monitor section of our website at suzohapp.com for additional manufacturer makes and models!

LCD MONITORS & TOUCH SCREENS

PLAYER TRACKING PRODUCTS



kortek



KOE
JDI Group



CERONIX

SUZO-HAPP carries more LCD monitors IN STOCK than all of our competitors combined



VISION PRO



DigiTech Systems



MicroTouch
3M



LG



MAINTAIN THE MAXIMUM COMPETITIVE EDGE

KOE-AMERICAS PLAYER TRACKING COMPONENTS
formerly Hitachi



REPLACEMENT BUTTON SETS

BUTTON SET FOR IGT GAME KING BAR TOP MACHINES

- Rectangular and small square buttons with clear caps
- All buttons have white legends and black print except the "Change" button which has a red legend and white print
- Fitted with 12V LED lamps



77-KIT-402

BUTTON SET FOR IGT GAME KING UPRIGHT MACHINES

- Small square buttons with clear caps
- All buttons have white legends and black print except the "Change" button which has a red legend and white print
- Fitted with 12V LED lamps



77-KIT-700

BUTTON SET FOR IGT SLANT TOP MACHINES

- Small square buttons with clear caps
- All buttons have white legends and black print
- Fitted with 12V LED lamps



75-L012-KIT1GG1

RAISED BEZEL STANDARD SMALL SQUARE IPB & LEGEND

- Cut down on unnecessary service calls!
- Avoid the accidental triggering of change or other slot service lights
- Raised bezel design with recessed button
- Choose blank white legends, or "Service" or "Call Attendant" red legends with white print
- Clear lens caps
- 14V lamps, Standard IPB has .250 switch terminal; VLT has .110 switch terminal
- Standard mounting holes
- Custom versions also available

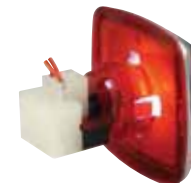


57-1809-20R

CASINO CHROME-LUMINESCENT PUSHBUTTONS

The Casino Chrome-Luminescent Series is the latest pushbutton from Suzo-Happ:

- Polished chrome plated button bezel with translucent color washer molded in bezel provides edge luminescent effect
- Special locking nut has special flare design to allow it to fit over "Snap-Tab" feature with microswitch installed
- Ease & flexibility of mounting to metal control panels using either "Snap-Tab" or traditional locking nut (sold separately, RBM-K730-001)
- Switch pre-assembled on button for reduced assembly time into control panel
- Supports ITW Pancon Switch-Con Crimp connector 5-pole housing (CSF-MH-05-02)
- Easy to remove high quality Cherry DB5 switch
- Subminiature microswitch provides additional clearance under control panel
- Fitted standard with 12v white Nichia LED on printed circuit board
- Grounded for ESD protection
- Polycarbonate lens for optical clarity and durability
- Available in several color combinations of button & luminescent effect
- Additional customization available
- Switch snaps on button bezel — eliminates need for separate lamp holder
- Custom printed legends available

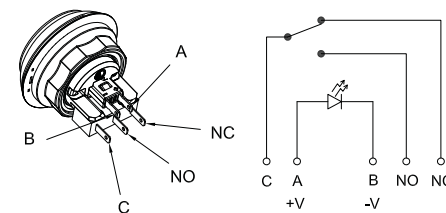


ITW Pancon Switch-Con Connector



Nut over Snap-Tab Feature (Nut Sold Separately RBM-K730-001)

*Reverse Polarity LED Version also available
Just add an "R" at the end of the Part Number



Pushbutton Schematic*

Design Your Pushbutton Matrix with this RBM-730S-SCL

Size Color Luminescent Color, Bezel

S = Size	C = Lens Color	L = Luminescent Effect
A = Large Square	2 = Red	2 = Red
B = Small Square	3 = Amber (Orange)	3 = Amber (Orange)
C = Large Rectangle	4 = Yellow	4 = Yellow
D = Small Rectangle	5 = Green	5 = Green
E = Large Round	6 = Blue	6 = Blue
F = Small Round	9 = White	9 = White

Nut Sold Separately, Part Number RBM-K730-001

SUZO-HAPP BAR TOP REPLACEMENT ASSEMBLY

Replace your old worn out bar top for IGT games with a refurbished bar lid assembly from Suzo-Happ!

- Includes:
 - New brush stainless skin*
 - 6° LCD from Ceronix** includes 4 year warranty
 - New buttons with white LED's***
 - New Light-Pro LED Light panel for Game King 4"x4" display glass
 - Custom player tracking brackets available



* also available in black satin finish (BV and player tracking housings not included)

** additional LCD models available in 10° & 15°

*** Buttons include twist lock receptacles and in-line switches

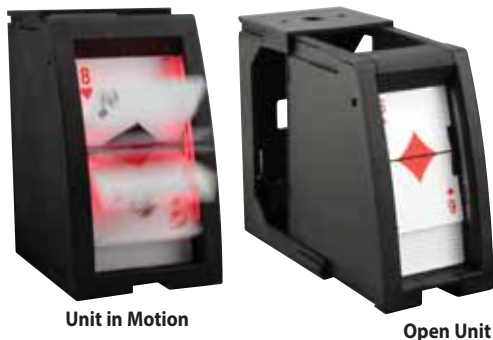
70-10000-00



FLIP CARD UNIT

Innovative Mechanical Game Device!

- Enhances the content and player appeal of new games
- Provides a full deck of cards including face cards and jokers
- Driven by standard 12V, 24 step NMB stepper motors
- Three motor steps per card
- Designed to include movement detection
- Separate mounting cradle for ease of machine assembly and service
- Units can be stacked together or mounted individually
- Cards are illuminated with RGB LED edge lighting
- Cards can be driven by the host or through the Suzo-Happ driver board
- Developer's Kit available to aid in integration design



Unit in Motion

Open Unit

Design Your Flip Card Unit with the Matrix Below

RBM-694 S - C

Size | Card Print

S = Size	C = Card Print
A = Small Unit	0 = Playing Cards
B = Large Unit	1 = Alpha/Numeric
	2 = Custom



MOST INNOVATIVE GAMING TECHNOLOGY AWARD 2012



STARPOINT 27 MOVEMENT REEL SENSING

SUZO HAPP CUSTOM REELS & MECHANISMS

Award Winning Custom Solutions Focused on Meeting the Needs of Our Customers



IGT



STARPOINT



KONAMI



Bally



Bally

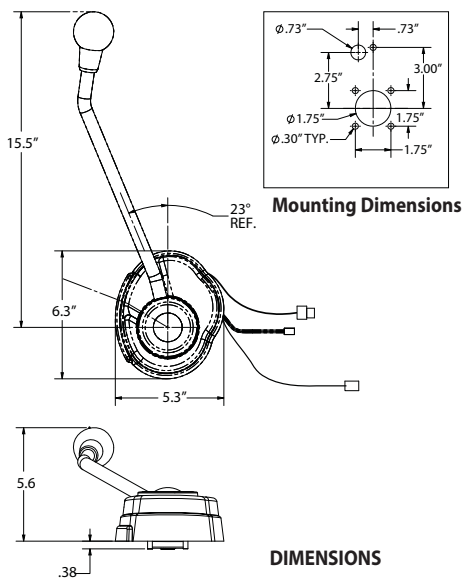


STARPOINT

Contact a Suzo-Happ Sales Representative to see how we can work with you to develop a product solution for your gaming machine.

COMPACT RGB HANDLE MECHANISM

The Compact RGB Handle Mechanism is the latest Handle Mechanism from Suzo-Happ providing the following benefits:



- Ultra Low-Profile design allows for external mounting on cabinet and provides increased space on the inside of the cabinet
- Ships as one assembly with handle for easy "Bolt-On" installation
- Easily to remove for improved serviceability
- Ruggedized die cast design to provide long term performance
- RGB Attract Mode on handle mech. cover attracts additional attention
- As Handle is pulled LEDs light up with each of the six clicks of the handle

- movement. All LEDs light up when handle is fully pulled
- Pre-Programmed with unique flashing patterns and color combinations
- RGB Illuminated Mechanism ball with 2 multi color LED's that flash, glow or flash light patterns to further trigger your interest in your handle machines
- Durable ABS plastic cover
- +45 Degree rotation
- Available with Switches or Optics
- 12VDC LEDs & Coil
- Patent Pending Design

Part Number	Description
96-1164-00	Compact RGB Handle Mechanism with RGB Ball & RGB Effect Hub
RBM-729-F	Compact RGB Handle Mechanism with RGB Ball & Std Black Hub
RBM-729-A1	Compact RGB Handle Mechanism with Black Ball & RGB Effect Hub
RBM-729-A	Compact Handle Mechanism with Black Ball & Std Black Hub
RBM-729-1	Compact RGB Handle Mechanism with No Handle & RGB Effect Hub
RBM-729	Compact Handle Mechanism with No Handle & Std Black Hub

Taking Your Game Input Devices from Concept to Reality



Filling all your needs: Outstanding design, production, distribution & service!
WINNER OF THE AAMA SUPPLIER OF THE YEAR!

SUZO HAPP Interactive Devices

The Leader of Quality Input Devices for the Amusement, Gaming Industrial, Retail & Transportation Industries!



Providing standard ruggedized input devices, customized devices, and developing unique input devices to create interactive play on your Gaming Machine.

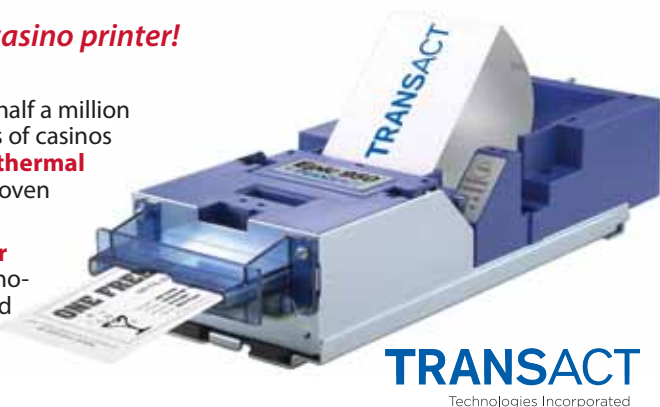


EPIC 950 THERMAL PRINTER

The award-winning casino printer!

Currently installed in over half a million slots throughout hundreds of casinos worldwide, the **Epic 950® thermal printer** is famous for its proven reliability.

This **industry trend-setter and award-winner** is casino-tested and casino-preferred for ticket-in/ticket-out casino printing.



Highlights

- Proven ultra-reliable in casinos worldwide
- Easily integrated – ONE printer for ALL game types
- Upgradeable to real-time coupon printing with Epicentral® and ServerPort™
- Tickets and vouchers become eye-catching branding tools
- Delivers personalized promotional coupons directly to your players – while they're playing
- Eliminates player/ticket interference, thanks to TicketBurst™

Features & Benefits

- TicketBurst™ technology prints and bursts each gaming voucher before presenting it to eliminate player interference and ensure maximum up-time
- Rugged metal chassis provides robust grounding design for high ESD immunity and optimal field performance
- Extensive 8MB RAM and 4MB Flash for printer operations and end-user definables, such as graphics, fonts and international character sets

- Barcodes: Interleaved 2 of 5 (programmable height and width), Code 39, Code 93, UPC-A & UPC-E, Codabar, EAN8 & EAN13, Code 128
- Multiple indicator lights: ready, paper, open, and fault
- Programmable audible alarm
- Bitmap graphics, portrait, landscape and page-mode printing
- Standard Warranty: 2 years (extended maintenance plan available)

Media (Thermal Ticket, Fan-Fold, Perforated)

- Top-coated thermal sensitive
- Standard unit accommodates 200, 400 and 600-count ticket stacks
- Ticket size: 2.56 inches (65 mm.) W x 6.14 inches (156 mm.) L
- Ticket thickness: .0045 -.005 inches (.114 -.127 mm.)
- Perf strength: 25-45 ozs. (.71 -1.278 kg)
- Monochrome or three 2-color choices: red/black, blue/black, green/black

EPICENTRAL®

Casino revenue goes up when EPICENTRAL goes in!

Proven Epic Success

EPICENTRAL® Print System – connected directly to TransAct's ServerPort™ device inside the slot machine – is an easy-to-use, cost-efficient software system that empowers casinos to internally develop marketing programs and promotional coupons to be distributed to customer on a real-time basis at a slot machine.

An Epic System

- Works with all existing slot systems and games because it's separate and distinct from the slot system itself
- Protects your investment in the Epic 950® – no need to change out the printer, simply upgrade your existing Epic 950 printer with ServerPort™
- Generates proven casino revenue while being reliable and easy to use
- Allows casinos to easily change out legacy printers by adding the Epic 950 and ServerPort to existing slot machines

Results Tell the Epic Story

- 100% increase in lower-tier player Average Daily Theoretical (ADT) on day of random award
- 87% loyalty club coupon redemption rate
- 73% boost in coin-in for single one-hour unadvertised promotion
- 40% redemption rate of coupons that encourage mid-week visits
- 30% bump in new player loyalty club enrollment in less than 90 days
- 25% increase in players qualifying for top-tier status



Essential Epicentral® Modules

- Design Center™
- Campaign Center™
- Server Center™
- Redemption Center™
- Report Center™
- Mobile Host™ (optional)
- Mobile Player™ (optional)
- Leaderboard™ (optional)

All it Takes to Upgrade:

- Epic 950® printer
- ServerPort™ device (one for each printer)
- Desktop/Laptop computer for each Design Center user
- Server for ServerManager™
- Networking hardware, WiFi or Ethernet connection to ServerPort™

COIN HOPPERS

FLOW COIN HOPPER

innovative through hole hopper!

- Perfect for many applications including Amusement, Vending, Gaming, Parking and Change machines
- Constructed of extremely durable, wear-resistant plastic along with state-of-the-art electronics
- Available in two interfaces – standard parallel interface or ccTalk serial interface
- Supplied with quick-fit release plate

Features

- Compatible with other popular hopper devices
- Payout speed of up to 7 coins per second
- Three different bowl sizes available – small, medium and large
- Reliable through hole coin disk design
- Clean design – no external wires run for level sensors
- Integrated fall tube for simple dual hopper cabinet construction
- ccTalk version is available in encrypted and non-encrypted modes
- Parallel interface and standard 10-pin connector
- 12-24V power supply
- Continuous opto-sensor check
- Low level sensor and anti-jam feature



Large Cup



Medium Cup

Design Your Flow Hopper with the Matrix Below



I = Interface	D = Coin Payout Disc	C = Cup Size
A = Parallel	0 = 16-19mm DIA. / 1.6mm THICKNESS	S = Standard Cup (154mm)
B = CC-Talk/Non-Encrypted	1 = 16-19mm DIA. / 2.1mm THICKNESS	M = Medium Cup (189mm)
D = CC-Talk/Encrypted	2 = 16-19mm DIA. / 3.2mm THICKNESS	L = Large Cup (228mm)
	3 = 19-22mm DIA. / 2.1mm THICKNESS	
	4 = 19-22mm DIA. / 3.2mm THICKNESS	
	5 = 22-28mm DIA. / 2.1mm THICKNESS	
	6 = 22-28mm DIA. / 3.2mm THICKNESS	
	7 = 28-32mm DIA. / 2.1mm THICKNESS	
	8 = 28-32mm DIA. / 3.2mm THICKNESS	

COIN HOPPERS

EVOLUTION COIN HOPPER

- This belt driven hopper has been re-engineered and the result is an improvement over existing belt driven hoppers in its performance & maintenance
- Suitable for 95% OF Vending, Parking, Change, Amusement and Gaming machines without needing any adjustments
- Made from extremely strong, wearing resistant plastics in combination with state of the art electronics resulting in low cost of ownership
- Large DC motor in combination with electronic motor control board for reduced friction and motor noise
- Easily accessible optic board and simple to change connector
- Available in different interfaces: Standard parallel, ccTalk encrypted and non-encrypted serial interfaces



Part Number	Description
EV100-001B	For 5¢, 25¢, SBA with Yellow (Green) Connector pulse or on/off
EV100-011B	For 5¢, 25¢, SBA with Black Connector pulse or on/off (Used by American Changer® and Namco CyberTainment™)
EV100-201B	For 5¢, 25¢, SBA with Yellow (Green) Connector CCTalk
EV100-101BS	5¢, 25¢, SBA for Western Money Systems
EV100-101CS	1¢ for Western Money Systems

EXCEL COIN HOPPER

Nearly 25 years of designing and manufacturing hoppers has resulted in this new product. Understanding the needs of operators and manufacturers has led to this extremely durable and World's most service friendly hopper.

Planetary gearbox system provides:

- Maximum torque with minimal power consumption
- Easy motor replacement
- Indirect optic switch read out protected by dust and light cover
- Easy accessible coin exit
- Steel bearings offer stable disc rotation
- Optionally available with wiring harness and AMP plug
- Payout speed 450 coins per minute (275 coins per minute for larger coins)
- Customised frame and cup specifications possible
- Silent operation
- Rohs compliant



100% compatible with older generations of STC hoppers



Part Number	Bowl Size	Configuration	Volts	US Coins	Mexican Coins	Canadian Coins
16-6028-8	Wide	Pulse/Serial	12VDC	5 Cents	1 Peso	5 Cents
16-6028-5	Wide	Pulse/Serial	12VDC	25 Cents	10 Peso	25 Cents
16-6028-12	Wide	Pulse/Serial	12VDC	\$1 SBA	5 Peso	\$1

MEI EASITRAX[®] SOFT COUNT UPGRADE KITS



MEI EASITRAX Soft Count is a hardware and software solution that acts as an interface between the casino floor and the soft count allowing casinos to track assets and maximize control. Information collected in the bill validator is now easily accessible in a database that can be networked to multiple locations and be accessed to analyze slot performance.

MEI EASITRAX Soft Count is a faster and more efficient way to manage cash drops and evaluate data from slot machines.

RFID technology connects slot machine asset numbers to a specific cash box. Casino operators can streamline the cash management process through:

- Easily retrofitting all existing MEI CASHFLOW SC systems with easy-to-install upgrade kits
- Integrating existing counter/sorter equipment to maximize efficiencies by minimizing system components
- Tracking the scheduled drops of all cash boxes providing a fast, efficient source to validate revenue and ensuring a more accurate collection process

EASITRAX Soft Count provides cost savings by:

- Eliminating the cost associated with searching for "hotboxes"
- Improving efficiencies within the drop process
- Avoiding jurisdictional fines due to out of date software
- Increasing labor efficiency in the soft count room
- Providing tools to maximize the casino layout
- Reducing the number of cash boxes because they no longer need to be dedicated.



MEI EASITRAX[®] SOFT COUNT UPGRADE KITS

The EASITRAX Soft Count system has been designed to be easily retrofitted to the CASHFLOW SC bill validator. Building a comprehensive cash management solution is as simple as applying these basic components:

- Placing an antenna board to the CASHFLOW SC interface board
- Applying RFID tags into the cash box to allow information to be transmitted
- Tying EASITRAX reader bases (up to four) into a soft count room system that includes a USB hub and a computer
- Installing software that creates a SQL database and loads available reports



How It Works

Features

- Streamlined engineering
- Back room interface uses existing process / counting systems
- SQL database record storage
- Information accessibility
- Automated connection between slot and cash box
- "Hot box" detection
- Validate drop
- Incremental accounting system
- Easily retrofits to all existing MEI CASHFLOW SC systems; no batteries or wires

Advantages

- Integrates with existing equipment
- Data repository for individual workstations or network
- Track performance, acceptance rate and note acceptor software revisions by machine
- Use of RFID eliminates writing and wandering
- Note acceptor will not enable live cash box
- Automatically verify all boxes were collected and detect unexpected boxes
- Fast access to game revenue data; quickly resolve count variances

Benefits

- Easy and efficient installation
- Flexibility to use any soft count equipment
- Database mining to analyze and improve operations
- Maximize operational efficiency and profitability
- Reduced drop team labor and increased accuracy
- Eliminate time and cost associated with "hot box" search
- Reduce variances and quickly locate errors by asset number
- Additional source for revenue validation



Antenna Board



Reader Base



RFID Enabled Cashbox

Part Number	Description
42-1541-00	MEI EASITRAX Upgrade Kit Includes: 10 Antenna Boards, 10 RFID Tags, 10 Standoffs, 10 Labels, 10 FCC ID Labels, 10 Alcohol Wipes, 30 Standoffs, 60 Plastic Screws and 10 Ferrites
62549890P10	MEI EASITRAX RFID Tag Kit Includes: 10 RFID Tags and 10 Labels
252066165	MEI EASITRAX Soft Count Kit Includes: 2 Software CDs and 2 Reader Bases
50086190P12	MEI EASITRAX Spare Cashbox Kit Includes: 12 Cashboxes, 12 RFID Tags and 12 Labels
252060141	MEI EASITRAX Reader Base

MEI PPM ADVANCE™
PORTABLE PROGRAMMING MODULE

MEI SC ADVANCE™
SERIES BILL VALIDATOR

mei | PPM Advance **New**

mei | SC advance™

ADVANCING YOUR FIELD BASE PERFORMANCE

The next generation of MEI support tools, the PPM (portable programming module) Advance, now offers more flexibility in determining how to maximize operations. Increased memory, multiple languages and a display screen, along with the option to upgrade to Bluetooth connectivity, make the PPM Advance a more powerful tool — further lowering cost of ownership associated with MEI products.

Benefits for original equipment manufacturers:

- Minimize inventory by profiling standard units
- Fast downloads for an “in-line” manufacturing process

Benefits for operators:

- Fast and easy updates in your MEI field base for:
 - currency data
 - configuration data
 - software
- Monitor performance of your MEI units
 - view audit data on your PPM
- Enhanced functionality with Bluetooth capability including
 - software downloads as needed
 - creation of asset numbers for EASITRAX® Soft Count



Technical Features

- Supports CASHFLOW SC and SC Advance
- Operates with STS v7.05 or greater
- Enhanced memory to store multiple variant firmwares
- Display screen and menu navigation
- Note acceptor configuration, file handling, audit reporting and diagnostics
- Labels firmware for individual needs (i.e. OEM specific identification)
- Magnetics which secure unit to MEI note acceptor
- Product identification with individual serial numbers
- Read audit data on-site
- Multiple languages
- Operates on 3 AA batteries
- Bluetooth capability
- STS Advance model supports CASHFLOW SC & SC Advance



252009173P1 Standard PPM Advance

252007174P1 Standard PPM Advance with Bluetooth

252069074 MEI STS Advance: Supports CASHFLOW SC & SC Advance

Proven performance. Increased profits

MAKING A GREAT PRODUCT EVEN BETTER

CASHFLOW SC has redefined expectations for note acceptors since its introduction in 2002.

The deployment of more than 1.1 million units is a testament to both the product's reliability and the importance of maximizing acceptance rate and security while reducing the jam rate and cost of operation.

MEI's commitment to continuous improvement has resulted in another step forward... the MEI SC Advance. This evolutionary development applies the latest technology, mitigates risk from part obsolescence and applies customer feedback into new features to improve performance.

The table illustrates the enhancements now available in SC Advance. The increase in note-to-note speed, which is nearly 25%, can be improved further with the application of other MEI solutions. Technology used to drive the benefit results in a 50% note-to-note speed reduction when using a CASHFLOW BNF (bunch note feeder). MEI's stackerless (no cash box) product portfolio can now operate at an unprecedented note-to-note speed of 1.0 second.

Operators have a unique opportunity to further improve the customer experience with a product designed to offer a seamless integration. All changes are centralized on the acceptor head, so the product is backwards compatible with CASHFLOW SC. The next generation (SC Advance) and legacy product (CASHFLOW SC) can work in tandem to allow users to maximize their investment in MEI – and upgrade on their own schedule with minimal impact to operations.

FEATURE	CASHFLOW SC	SC ADVANCE
Note-to-note speed	3.0 seconds	2.3 seconds
Note memory	46 notes	100 notes
Physical appearance	Yellow touch points	Similar, with exception of blue MMI cover/label design
SC83/85 barcode coupon acceptance	2-way acceptance, 80% acceptance rate	4-way acceptance, improved acceptance rate
USB speed	USB 1.0 (12 MHz)	USB 2.0 (400 MHz)

Please contact your SUZO-HAPP representative to purchase this product



Proven performance. Increased profits

85 HEAVY DUTY CURRENCY COUNTER

- The Cassida 85 is only built one way, and that is tough
- Constructed with durable steel parts for years of high usage
- Designed to handle all sorts of bills, ranging from crisp new bills to those that are nearing the end of their lifetime
- Engineered to tackle counterfeit bills head on
- Designed to ensure that no counterfeit bills ever appear in your stack!
- 80-0141-00 has UV (Ultra-Violet) protection
- 80-0143-00 has dual head MG (magnetic) and UV (ultraviolet) detection systems to ensure ultimate protection
- Delivers the same smooth and accurate processing with coupons, tickets, deposit slips or other documents, as well as any foreign bills
- Flexible software allows user to easily adjust the Cassida 85 for any non-US currency



SPECIFICATIONS	
Verification Speed	<1 Second/Bill
Weight	1.1 lbs.
Dimensions	4.75" x 5.25" x 2.75"
Power Source	110/220 VAC

80-0141-00 Cassida 85 Currency Counter with UV (Ultra-Violet) Protection

80-0143-00 Cassida 85 Currency Counter with UV (Ultra-Violet) and MG (Magnetic) Protection

assida AUTOMATIC COUNTERFEIT DETECTOR

- Infrared detection
- Magnetic detection
- Color spectrum analysis
- Displays grand total value
- Displays subtotal value and number of verified bills for each denomination
- Automatic bill feeding
- Front / rear bill ejection option
- Visual & sound alert on counterfeit bills
- High resolution illuminated LCD display
- Compact and sleek design
- Verifies U.S. currency
- Warranty: 1 year full parts & labor
- Upgradeable for future releases of U.S. Currency
- Compatible with the latest issue of \$100 bill



SPECIFICATIONS	
Counting Speed	1200,1500 Bills/Minute
Hopper Capacity	1000 New Bills
Stacker Capacity	300 New Bills
Error Detection	Double, Half, Chain, Note Size Detection
Auto-Start Feature	Included
Operating Modes	Count, Add, Batch, Add and Batch
Batching Range	Preset or 0-999
Options	Dust Collector Remote Display
Weight	11.7 lbs.
Dimensions	10.83" x 9.17" x 9.96"
Power Source	100/240 VAC

80-0076-00

POWER SUPPLIES

New POWER SUPPLY FOR AINSWORTH

- Model: APSM-460; Ainsworth Part No. 220 279
- Outlet: 100-240VAC; 60/50Hz; 4A
- AC Input: 100-240VAC, 10-6A
- DC Output: (Max 460W) +12V 20.0A; +24V 9.0A; +5VSB 2.0A
- Used on the Ainsworth 560 Dual Screen, Ainsworth Super 560, and the Ainsworth 560 ST slot machines



80-1276-00

350W POWER SUPPLY FOR AINSWORTH

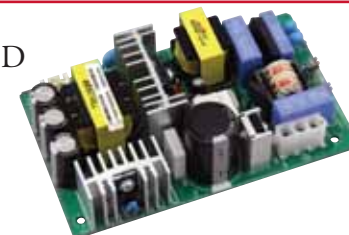
- Ainsworth Ref. No. 22027A
- Total power: 350 watts max, +3.3v & +5v, 135 watts max, 3.3v, +5v & +12v, 210 watts max
- 100-240 VAC 50-60Hz 1A



80-1276-00

POWER SUPPLY FOR 19" TOVIS LCD

- Internal power supply L1932GTAIP



LTG-1750

400W 24V POWER SUPPLY FOR CADILLAC JACK MACHINES & ATRONIC E-MOTION

- +3.3v 24A, +5v 24A, +12v 20A, +24V 9A, -12V .05A, +5Vsb 2.5A
- UL and CE recognized
- Works in the following Cadillac Jack machines:
 - Multi-line 3 Reel Video
 - Multi-line 5 Reel Video
 - 50 Line Video
 - U-Pick-Em-Bingo
 - Wide Area Progressives
- Will also work for Atronic E-Motion machines



80-0704-00

**POWER SUPPLIES
FROM ARAS POWER TECHNOLOGIES**



Aras Power Technologies was established with the premise of providing leading edge power delivery solutions for the challenging power requirements evolving in today's marketplace. Aras offers conventional, off the shelf, AC/DC and DC/DC solutions, as well as custom power supply design and manufacturing. We have a keen R&D sense and enjoy working on the cutting edge technology.

Customization: Aras Power's strength is an ability to provide the right power solution for a particular application quickly and effectively. We provide power solutions where applications cannot be satisfied from standard products or where integrated products are necessary.

ARAS SWITCHING POWER SUPPLY 200W/MULTI-OUTPUT

- 200 Watts output power
- 24V, 12V, 5V, 3.3V, 5Vi outputs
- U Channel Package measuring only 3.5" x 6" x 1.5"
- 80% Efficiency typical
- High Reliability in excess of 100,000 Hours
- International Safety Approvals
- Class B Radiated and Conducted Emissions
- 3 Year Warranty



ARF-2015-00A

ARF-2015-00B

ARF-2015-00X

Output Voltage (V)	Regulation	Max Current (A)	Ripple/Noise (mVp-p)	Isolated Standby (Vi)
+24.0	+/-3%	7.0	240	+5V/0.5A
+12.0	+/-5%	2.0	120	
+5.0	+/-5%	11.0	50	
+3.3	+/-5%	4.5	50	

ARAS SWITCHING POWER SUPPLY 400W/SINGLE OUTPUT

- 400 Watts output power and 90% efficiency typical
- 12 VDC Single Output
- 1.4"
- High Density in excess of 19W/in³
- Screw Terminal Output
- OR'ing FET on output for 1+1 applications
- High Reliability in excess of 300,000 Hours
- International Safety Approvals
- Class B Radiated and Conducted Emissions
- 3 Year Warranty



ARF-4011-XX00

Model	Output Voltage (V)	Regulation	Max Current (A)	Ripple/Noise (mVp-p)	Standby (Vsb)
ARFS-4011-1205	+12.0	+/-1%	33.3	120	+5V/2.5A
ARFS-4011-1212	+12.0	+/-1%	33.3	120	+12V/1.5A (6A peak for 200 us)

ARAS SWITCHING POWER SUPPLY 300W/SINGLE OUTPUT

- 300 Watts output power
- 12 VDC Single Output
- Open Frame Package measuring only 3" x 5" x 1.24"
- High Density in excess of 16W/in³
- 90% efficiency typical
- Screw Terminal Output
- OR'ing FET on output for 1+1 applications
- High Reliability in excess of 300,000 Hours
- International Safety Approvals
- Class B Radiated and Conducted Emissions
- 3 Year Warranty



ARF-3011-XX0

Model	Output Voltage (V)	Regulation	Max Current (A)	Ripple/Noise (mVp-p)	Standby (Vsb)
ARFS-3011-1205	+12.0	+/-1%	25.0	120	+5V/2.5A
ARFS-3011-1212	+12.0	+/-1%	25.0	120	+12V/1.5A (6A peak for 200 us)

ARAS SWITCHING POWER SUPPLY 150W/SINGLE OUTPUT

- 150 Watts output power
- 12V, 24V, and 48V Single Output models
- Open Frame Package measuring only 3" x 5" x 1.08"
- High Density in excess of 9W/in³
- 88% Efficiency typical
- OR'ing diodes on output for 1+1 applications
- High Reliability in excess of 200,000 Hours
- International Safety Approvals
- Class B Radiated and Conducted Emissions
- 3 Year Warranty



ARFS-1511-XX00

Model	Output Voltage (V)	Regulation	Max Current (A)	Ripple/Noise (mVp-p)	Isolated Standby (Vsb)
ARFS-1511-1200	+12.0	+/-1%	12.5	120	N/A
ARFS-1511-2400	+24.0	+/-5%	6.25	240	
ARFS-1511-4800	+48.0	+/-5%	3.13	480	

POWER SUPPLIES & POWER SUPPLY KITS

REPLACEMENT POWER SUPPLY FOR WMS BLUEBIRD

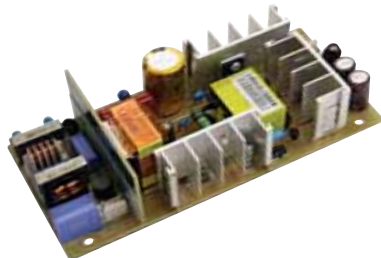
- For use in WMS Bluebird slot machines
- UL recognized, TUV and CE approved
- 1-Year warranty
- **AC Input:** 115V ~ 10A
230V ~ 5A
- **Frequency:** 50 - 60Hz
- **DC Output:** +5V / 15A (red)
+12V / 13A (yellow)
+3.3V / 8A (orange)
+15V / 6A (blue)
+5Vsb / 1A (white)
- **Output Max:** 300W



KORTEK LCD POWER SUPPLY

- Essential replacement power supply for Kortek (PWB-A006A) LCD units

10-510303000



REPLACEMENT CAPACITORS FOR IGT POWER SUPPLIES

- Complete set of replacement capacitors
- Kits contain high quality 105 degree capacitors
- Not a repair kit as your power supply may have defects other than capacitors
- All capacitors should be replaced because age, humidity and temperature cause the value of electrolytic capacitors to change



Part Number	IGT Ref. No.	Manufacturer	# of Capacitors
70-25652-00	40009003	Win-Tact	27
70-25879-00	40009001	Condor	12
70-26107-00	40012100W	3Y Power	10

REPLACEMENT PARTS

ARISTOCRAT SP2 BOARD REPAIR KIT

- Includes:
 - 1 ECS-2200 oscillator / crystal
 - 1 Cr2032 battery
 - 7 radial capacitors 25v 10mf 105° 5mm x 7mm
- All the most commonly replaced parts on the Aristocrat SPC2 board in one package



64-3656-00



SPC2 Board (Not Included)

VIDEO GRAPHICS CARD FOR BALLY ALPHA MACHINES

- Video-228PCI-Twin
- High performance and high quality 3D acceleration
- MPEG video playback support
- High performance 2D acceleration
- 128MB DDR memory module
- Based on nVIDIA GeForceFX 5200 core technology



49-0103-00

ATI RADEON 9800 PRO 128MB GRAPHICS CARD FOR IGT

- RADEON 9800 Series of visual processors is the most visually advanced 3-D performer on the planet, delivering an immersive, cinematic experience for the most demanding next-generation games
- ATI Catalyst Software Included

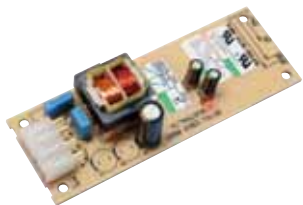


75606290

BALLASTS & REPAIR KITS



70-0635-00-R



70-1757-00



70-1671-00



70-1337-00



70-1570-00



70-1585-00

IGT BALLAST and REPAIR KITS

Part Number	Description	Ref. No.	
70-0635-00-R	15 Watt Electronic Ballast	195-076-90	For F-15 lamps
70-1337-00	15 Watt Rebuild Kit	For 70-0635-00-R	Component Parts Rebuild Kit
70-0824-00	8 Watt Electronic Ballast	195-069-90	For F-4 and Other Small Lamps
70-1570-00	8 Watt Rebuild Kit	70-0824-00	Component Parts Rebuild Kit
70-1151-00-R	22-40 Watt Black Ballast	1950-7800	For 8" and 12" Circular Lamps
91-0991-00	22 Watt Thin-Lite Ballast	—	For Top Box Round Circuline Bulb

ARISTOCRAT BALLAST and REPAIR KITS

Part Number	Description	Ref. No.	
70-1757-00	6 Watt Ballast	008056 Replaces 006999	Setec EBS3-6-T5 Replaces EBS2-6-T5
70-1761-00	6 Watt Rebuild Kit	70-1757-00	008056 Replaces 006999
432315	15 Watt Ballast	EBS3-15-T8	Replaces EBS2-T15-T8
70-1585-00	15 Watt Rebuild Kit	432315-00	EBS3-6-T5
70-1858-00	8 Watt Rebuild Kit	—	For Aristocrat 8 Watt Ballast
70-1671-00	6 Watt Transformer	—	For Aristocrat 6 Watt Ballast

BALLASTS & REPAIR KITS



91-11176-00



91-12247-00



20-011580-00-00



91-14879-00



20-0139



91-3847-00

WMS BALLAST

Part Number	Description	Ref. No.	
20-10481.1	15 Watt, 85-265VAC Ballast for BB1	OEM# 6200-004995-00-00	UB904
91-11176-00	6 Watt Dual Ballast for BB1	OEM# 6620-018006-00	UB904-6w2/44-1500-03
44-1500-02	16 Watt Ballast for BB1	OEM# 6200-008027-00-00	UB904-9w2
91-12247-00	20 Watt Ballast	OEM# 6200-004713-00	UB905
91-14879-00	9-13 Watt Ballast 24vdc Ballast	OEM# 6610-005468-00	UB2409
20-011580-00-00	22 Watt Universal Electronic Ballast	OEM# 20-001580-00-00	UB905-22

ATRONIC BALLAST

Part Number	Description	Ref. No.	
22-0139	24V for Atronic E-Motion Toppers	Suzo-Happ OEM Ballast	—
22-0138	12V for Atronic E-Motion Toppers	Suzo-Happ OEM Ballast	—
91-3487-00	4-9 Watt Ballast for Atronic E-Motion Door	Teknoware TM80041	—

YELLOW CARD READER BEZELS

- For CDS Oasis player tracking system card reader
- Bright yellow bezel enhances player experience
- Makes card reader stand out and easy to find
- Designed specifically for Uniform Industrial and Neuron card readers
- Installs easily using screws on current bezel



96-9912-05



96-9913-05

96-9912-05 For Uniform Industrial Card Readers

96-9913-05 For Neuron Card Readers

SUZO-HAPP COOLING FANS



80-0006-61



80-0006-67



80-0006-41

SUZO-HAPP COOLING FANS



80-0006-62



80-0006-63



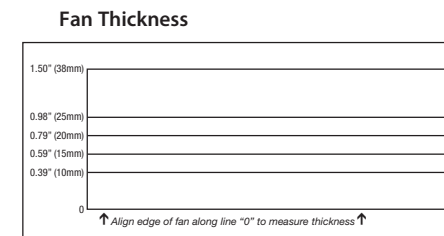
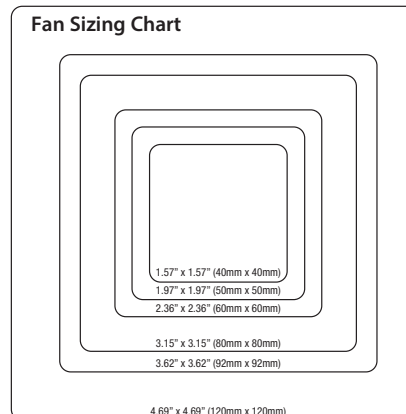
80-0006-63



80-0006-13

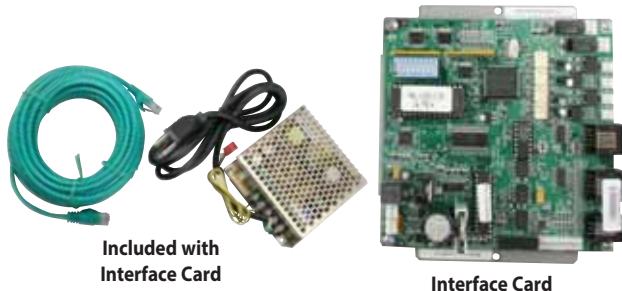
Part No.	Voltage	Thickness	Wire	Connector	Type	Common Uses
1.50" L x 1.50" W x 1.0" H						
80-0006-67		New		Yes (2 pin)		Cooling Fan with Heat Sink: ATI Radeon 9800 Pro, IGT Graphics Card
1.57" x 1.57" (40mm x 40mm)						
FAN-DC12V-40-40	12VDC	0.78" (20mm)	2	Yes (2 pin)	Sleeve	All JVL machines dating back to Conquest
80-0006-16	12VDC	0.39" (10mm)	3	No	Vapo	Bally Cinevision, Merit XL Series
80-0006-61*	12VDC	0.39" (10mm)	3	Yes	Ball	ATI RADEON, Nvidia GeForce VGA Cards
*Cooling Kit: Includes heat sink, thermal tape, insert, power adaptor and thermal compound (40mm x 10mm)						
80-0006-62	12VDC	0.39" (10mm)	3	Yes	Ball	Aristocrat Mark VI Games
80-0006-50	12VDC	0.39" (10mm)	2	No	Ball	WMS Blubird CPU
80-0006-23	12VDC	0.79" (20mm)	2	Yes	Ball	Merit Power Supply
70-1006-00	24VDC	0.79" (20mm)	2	Yes	Ball	Game King Machines
1.97" x 1.97" (50mm x 50mm)						
80-0006-05	5VDC	0.39" (10mm)	3	No	Ball	Cabinets, CPUs, Power Supplies
SB0611-01	5VDC	0.39" (10mm)	2	Yes	Vapo	Bally, Merit EVO Games
SA0470-03	12VDC	0.39" (10mm)	2	Yes	Ball	Merit EVO Games
80-0006-15	12VDC	0.39" (10mm)	2	No	Ball	WMS Blubird, Merit MegaTouch CPU
80-0006-70	12VDC	0.59" (15mm)	2	Yes	Ball	Bally Alpha and Cinevision Games
80-0006-13*	12VDC	1.50" (38mm)	3	Yes	Ball	Sigma Slot Machines, Artic Thunder
80-0006-65	24VDC	0.59" (15mm)	2	No	Sleeve	Bally Games
*Includes heat sink						
2.05" x 2.05" (52mm x 52mm)						
SA0470-01	12VDC	.039" (10mm)	2	Yes	Ball	Merit ION and Force III Games
2.36" x 2.36" (60mm x 60mm)						
80-0006-41	12VDC	0.39" (10mm)	3	Yes	Ball	Merit Radion Force, Trivia, Vibe
80-0006-63**	12VDC	0.59" (15mm)	3	Yes	None	Merit Mega Touch Wallette
80-0332-00	12VDC	0.79" (20mm)	2	No	Sleeve	Cabinets, CPUs, Power Supplies
80-0006-40	12VDC	0.98" (25mm)	2	No	Ball	Merit Games
80-0006-60*	12VDC	0.98" (25mm)	3	Yes	Ball	Merit ION CPU
*Includes heat sink **Without heat sink						

Part No.	Voltage	Thickness	Wire	Connector	Type	Common Uses
3.15" x 3.15" (80mm x 80mm)						
80-0006-35	12VDC	0.59" (15mm)	2	No	Sleeve	Merit Power Supply
80-0006-44	12VDC	0.98" (25mm)	3	No	Sleeve	Big Buck Pro, Fast & Furious Super Bike
80-0006-33	12VDC	0.98" (25mm)	2	No	Sleeve	WMS Blubird Power Supply
80-0006-34	12VDC	0.98" (25mm)	2	No	Ball	Cabinets, CPUs, Power Supplies
80-0273-00	24VDC	0.98" (25mm)	2	No	Ball	IGT Slot Machines
70-0225-00	110VAC	1.50" (38mm)	2	No	Ball	Cabinets, CPUs, Power Supplies
3.62" x 3.62" (92mm x 92mm)						
755000915	12VDC	0.98" (25mm)	3	Yes	Ball	All Incredible Technologies Games
70-0226-10	12VDC	0.98" (25mm)	2	No	Ball	Power Supplies
80-0006-48	24VDC	0.98" (25mm)	2	No	Ball	Cabinets, CPUs, Power Supplies
70-0226-00	110VAC	0.98" (25mm)	2	No	Ball	Gaming Machines
4.69" x 4.69" (120mm x 120mm)						
80-0006-14	12VDC	1.50" (38mm)	2	No	Ball	Cabinets, CPUs, Power Supplies
80-0006-11	110VAC	1.50" (38mm)	2	No	Sleeve	Cabinets, CPUs, Power Supplies
80-0006-22	110VAC	1.50" (38mm)	2	No	Ball	Most Gaming Machines, IGT Keno Game



PALTRONICS MACHINE INTERFACE CARD

- BSK Interface Card with software/license
- *Program chip included: Machine and jurisdiction information must be provided



Included with Interface Card

Interface Card

Part Number	Description
OLS-193-GEN	BSK Machine Interface Card, RS232 Serial
OLS-193-GEN-485	BSK Machine Interface Card, RS485 Serial

SUZOHAPP is your exclusive North American distributor for PALtronics replacement parts and component kits

PALTRONICS BANK LEVEL SYSTEM INTERFACES

- Kit Includes:
 - Board
 - Power Supply
 - 3-wire connector
 - Cable
 - Manual

Component Kit for all PALtronics Bank Level System Interfaces



Included with INT-M2-ELITE

Included with INT-M2-SUPERCHAM

Included with INT-M2-COOL

Part Number	Description
INT-M2-COOL	Mikohn Sign Cam2 Interface Cool Sign to PALtronics Control
INT-M2-ELITE	Mikohn Sign Cam2 Interface Elite to PALtronics Control
INT-M2-SUPERCHAM	Mikohn Sign Cam2 Interface Supercham to PALtronics Control

PALTRONICS IN-MACHINE DISPLAY SOLUTIONS

- Kit Includes:
 - Display
 - Software
 - Controller
 - Power supply
 - Power cords
 - Cables
 - Harnesses
 - VHB tape applied
 - Mounting hardware
 - Manual

Basic Component Kit for all PALtronics In-Machine Display Solutions



RGB38X2-IM-PALX In-Machine Illuminated Display



RGY48X2-IM-M2 In-Machine Mikohn Illuminated Display



Additional cables included with Mikohn kit

Part Number	Description
RGY38X2-IM-PALX	RGY 64X8 In-Machine Graphic Display 38mm
RGY48X2-IM-PALX	RGY 64X8 In-Machine Graphic Display 48mm
RGB38X2-IM-PALX	RGB 64X8 In-Machine Graphic Display 38mm
RGB48X2-IM-PALX	RGB 64X8 In-Machine Graphic Display 48mm

Part Number	Description
RGY48X2-IM-M2	Mikohn RGY 12 Cell Replacement Display
RGY38X2-IM-M2	Mikohn RGY 12 Cell Replacement Display
RGB48X2-IM-M2	Mikohn Elite 12 Cell Replacement Display
RGB38X2-IM-M2	Mikohn Elite 12 Cell Micro Replacement Display

PALTRONICS JACKPOT CONTROLLER

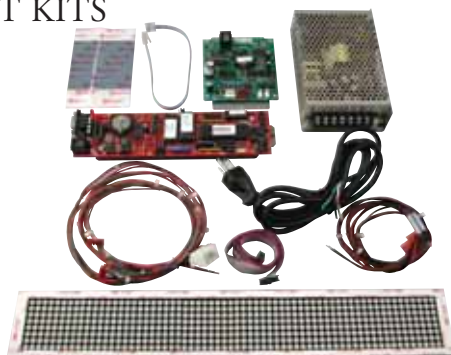
- Stand-alone bank controller
- Not connected to SQL server database
- No more than 16 levels
- Kit Includes:
 - Software
 - Power supply
 - Power cord
 - Mounting hardware
 - 25' CAT5E crossover cable
 - Manual (not shown)



OLS-BSK100

PALTRONICS TOURNAMENT KITS

- Supports tournament play on EGMs
- Keeps track of dollar value
- IGT S-Plus platform
- Kit Includes:
 - Display
 - Controller
 - Power supply
 - Power cord
 - Cable sets
 - Manual (not shown)



Part Number	Description
OLS-TBK-SPLUS-48	Tournament Interface Kit With RGY 64X8 In Machine Meter
OLS-TBK-SPLUS-48C	Tournament Interface Kit With RGY 64X8 In Machine Meter (Case)

PALTRONICS OLM STANDARD DEFINITION MEDIA PLAYER

- Standard-definition content
- Black casing
- Plays media on wall/overhead displays
- VGA video output only
- Kit Includes:
 - Media Player
 - Power Supply
 - Power Cord
 - Manual



OSK-MEDIA-SD

PALTRONICS OVERHEAD LED DISPLAYS



RGB ILLUMINATED LED DISPLAY



RGY ILLUMINATED LED DISPLAY

- Single sided frame displays
- Kit Includes:
 - Power supplies for sign
 - Power supply for controller
 - Power cord for sign
 - Power cord for power supply
 - Controller
 - Ribbon cable for controller
 - Manual

Part Number	Description
RGB48-192X32-SS*	RGB Overhead LED Display 192X32 (2X3) 47-1/4" x 10-1/4" x 3"
RGB48-192X16-SS	RGB Overhead LED Display 192X16 (1X3) 47-1/4" x 6-1/4" x 3"
RGB48-128X16-SS	RGB 128X16 (1X2) 32-1/4" x 6-1/4" x 3"
RGY48-192X32-SS*	RGY Overhead LED Display 192X32 (2X3) 47-1/4" x 10-1/4" x 3"
RGY48-192X16-SS	RGY Overhead LED Display 192X16 (1X3) 47-1/4" x 6-1/4" x 3"
RGY48-128X16-SS	RGY 128X16 (1X2) 32-1/4" x 6-1/4" x 3"

* Includes 2 Power supplies for sign

ROULETTE & PUNTO BANCO TABLE DISPLAYS

- Kit Includes:
 - Single or double sided display
 - Controller
 - Power supply
 - Pole set with mounting brackets
 - Key pad
 - Cable set
 - Manual



Illuminated LCD Roulette Table Displays



Illuminated LED Roulette Table Displays



Illuminated LCD Punto Banco (Baccarat) Table Displays

SUZOHAPP is your exclusive North American distributor for PALtronics replacement parts and component kits

Part Number	Description
TT-R4X24-G1N2-R1	RGY 32X192 Roulette LED Display Kit, Single Sided (includes software)
TT-R4X24-GN2-R1	RGY 32X192 Roulette LED Display Kit, Double Sided (includes software)
OLT5123-SS	24" Single Sided Roulette LCD Display System
OLT5118-5SS-PB	17" Single Sided Punto Banco LCD Display System
OLT5118-5DS-PB	17" Double Sided Punto Banco LCD Display System
OLT5123-SS-PB	23" Single Sided Punto Banco LCD Display System
OLT5123-DS-PB	23" Double Sided Punto Banco LCD Display System

DATAVAC® ESD SAFE VACUUM/BLOWER

Built to Government Specifications!

Developed for the United States Postal Service the DataVac®/3ESD is a complete anti-static vacuum/blower and dusting system designed specifically to keep electronic office equipment, thoroughly clean and operating at peak efficiency.

- **4-Stage HEPA filtration system** – 99.97% effective at trapping dust particles as small as 0.3 microns
- **Anti-Static Wrist Strap** – Prevents the buildup of static electricity that can discharge and seriously damage sensitive equipment
- **Powerful, 2-speed, 1.7 Peak Horsepower Motor** – Generates plenty of power to reach down deep and clean out even the most stubborn dust, dirt and debris
- **New Ballistic Nylon Carry Case** – With comfortable shoulder strap and attachment storage pockets
- **Integrated Toner Filter System** – Quickly and thoroughly cleans up toner spills from printers and copiers



Complete Range of Static-Dissipating Attachments – To handle every conceivable office and IT equipment cleaning application

- **Rugged, Heavy-Duty, All-Steel Body** – Designed to withstand many years of tough professional use
- **Accessories Included:** Anti-Static 3-to-6 ft. Stretch Hose, Wrist Strap, Dusting Brush, Crevice Tool, 4-piece Micro Tool Kit, 6 Disposable Toner Filter Bags, Replacement Foam Filter, Shoulder Strap & Fully Padded, Soft Carry Case

92-0276-00



DATAVAC® ELECTRIC DUSTER

Never Buy Canned Air Again!

- **More effective** – Powerful 500-watt electric motor blasts off dust, dirt and debris to keep expensive computer and electronic equipment clean and running at peak efficiency
- **All steel and built to last**
- **“Greener”** – Electric power eliminates the need for dangerous, environmentally damaging aerosol cans
- **Safer** – Blows clean, dry, filtered air safe for all equipment; contains no dangerous propellants
- **Attachments Included** – Air-Pin Pointer, Air, Concentrator nozzle, Air-Flare nozzle & 4-piece detailing tool kit
- **Mini duffle bag available** – 12" x 7" x 6" for carrying small tools such as electric duster & attachments



Part Number	Description
92-29891-00	DATAVAC® Electric Duster & Accessories
27-0263-00	Mini Duffle Bag

DATAVAC® VACUUM/BLOWER FOR ELECTRONIC EQUIPMENT

New

- High-powered vacuum/blower specially designed to clean all sensitive electronic equipment
- Lightweight design - only 3 lbs
- Shoulder strap and sturdy steel design make it an ideal tool for workers on-the-go
- 120 volt .75 PHP, 4.5 amps, CFM 70
- 19-Inch flexible hose, crevice tool, air pin-pointer, soft bristle brush, shoulder strap, 5 disposable paper bags, plus 4-Piece micro cleaning tool kit
- 12 ft cord
- Product Dimensions: 16.4 x 7.3 x 8 inches
- Green alternative to canned air
- Limited 2-Year motor guarantee
- Ref. No. MDV-1BA



92-2452-00



HURRICANE CANLESS AIR SYSTEM®

NEW — Improved design that really works as a green alternative to canned air!

- Hand held portable unit that cleans your equipment, work space, displays, fans, etc.
- No cords to plug in or get in the way
- This GREEN product blows the air we breathe at over 200 MPH
- No harmful gas emissions
- Runs off a rechargeable battery (plug-in charger and extension tubes included)
- Just one charge is equal to about 25 cans of canned air
- Continuous run time is 15 minutes (equal to 24 cans of canned air)



Belt pouch accessory sold separately:

- Convenient pouch attaches to your belt and holds the Hurricane canister plus accessories, making this a truly portable system



Part Number	Description
92-2427-00	Hurricane Canless Air System™
92-2428-00	Belt Pouch for Hurricane Canless Air System™

AIRISTAR® 500 & 1000 AIR PURIFICATION SYSTEMS

The Airistar® 500 and 100 utilize HEXAFLOW™, a proprietary six-stage air purification process, and delivering airflow of up to 500 cubic feet per minute (CFM) on the Airistar® 500 and 1000 CFM on the Airistar® 1000. This six-stage air purification process can effectively remove 99.97% of particles 0.3 microns or larger.

Both the Airistar® 500 and Airistar® 1000 mechanical filtration systems utilize the most advanced filter media available to strip away unwanted particles without adding dangerous ozone or harmful chemicals to the air. Whether you are faced with excessive dust, smoke, allergens, fumes, odors, airborne bacteria or mold spores, the Airistar® units will effectively meet your air purification needs.



Features and Benefits

- **HEXAFLOW™ Purification Process:** Unique six-stage air purification process that features Melt-Blown Fiber filter media.
- **Melt-Blown Fiber Filter Media:** Melt-Blown Fiber filter media is the next generation of HEPA filter media.
- **3-Speed Control Panel:** The Airistar® units have a programmable control panel featuring personalized runtime programs.
- **Highly Durable:** 5 year warranty on parts.

Specifications

- Airistar® 500**
- 29" H x 13.75" W x 18" D
 - Weight: 70 lbs
 - Industrial grade casters
 - Load rated airflow: 300-500 CFM
 - Max. amp draw: 1.9 amps @ 110V
- Airistar® 1000**
- 34.25" H x 21" W x 22.2" D
 - Weight: 110 lbs
 - Industrial grade casters
 - Load rated airflow: 700-1000 CFM
 - Max. amp draw: 2.3 amps @ 110V

Part Number	Description
92-0076-00	Airistar® 500 Air Purification System (Includes 1 Set of Filters)
92-0182-00	Airistar® 500 External Prefilter <i>Color Code: Blue</i>
92-0183-00	Airistar® 500 Internal Prefilter <i>Color Code: Green</i>
92-0185-00	Airistar® 500 Melt Blown Fiber Filter <i>Color Code: Yellow</i>
92-0186-00	Airistar® 500 VOC/Carbon Filter <i>Color Code: Red</i>
92-0130-00	Airistar® 1000 Air Purification System (Includes 1 Set of Filters)
92-0229-00	Airistar® 1000, Airistar® 1050 External Prefilter <i>Color Code: Blue</i>
92-0237-00	Airistar® 1000, Airistar® 1050 Internal Prefilter <i>Color Code: Green</i>
92-0248-00	Airistar® 1000, Airistar® 1050 Internal Prefilter - Washable <i>Color Code: Green</i>
92-0243-00	Airistar® 1000, Airistar® 1050 Melt Blown Fiber Filter <i>Color Code: Yellow</i>
92-0246-00	Airistar® 1000, Airistar® 1050 VOC/Carbon Filter <i>Color Code: Red</i>
92-0218-00	Airistar® UV Bulb (Requires 2 for the Airistar®1000, Airistar®1050)
92-2418-00	Airistar® 1050 Air Purification System (Includes 1 Set of Filters – same as Airistar® 1000) *

AIRISTAR® 1050 AIR PURIFICATION SYSTEM

The new Airistar® 1050 is a customized version of the Airistar® 1000. The new cabinetry disguises Airistar's Revolution-Airy HEXAFLOW™ air purification process into a custom built cabinet that can compliment virtually any casino interior. An exciting look that allows minimal distraction while delivering maximum airflow of up to 1000 cubic feet per minute.

Airistar® custom systems have all the same features and benefits of our standard systems. Visit with your Suzo Happ Sales Representative to discuss all customized options from laminates to natural, stain matched woods or adhesive coverings.



Airistar® 1050



Features and Benefits

- Customizable exterior cabinetry
- Highly durable construction with 5 year warranty on Airistar® 1000 core unit parts
- Set up in MINUTES! Easy maintenance to change all filters in just SECONDS!

Specifications

- Airistar® 1050**
- Size: 34.25" H x 21.0" W x 22.2" D*
 - Weight: 150 lbs.*
 - Load rated airflow: 700-1000 CFM
 - Max. amp draw: 2.3 amps @ 110V

* Please contact your SUZO-HAPP representative for customization options



airistar®

Quality indoor air is essential to a healthy facility. Deterioration in Indoor air quality (IAQ) can be linked to many serious health concerns and can often be attributed to any of the following conditions:

- Inadequate outside air exchange
- Old, inadequate or not properly functioning ventilation systems
- Continual addition of airborne contaminants such as smoke, allergens, bacteria, fumes or odors
- Microbial growth
- Poor maintenance/operation of building.

Open unit displaying filters. More information on the HEXAFLOW™ Purification Process on next page.

AIRISTAR® 100GT TABLE GAME AIR PURIFICATION SYSTEM



Airistar® 100GT System

The Airistar® 100GT represents the latest advancement in localized air purification within the table game area, providing dealers with a wall of purified air to direct smoke and odors away from them. The system includes a diffuser that can be attached to or easily retrofitted into a table game.

The filtration unit can be mounted under the table or on the floor. The 100GT also delivers clean air to the area around the table. The front of the diffuser directs the clean air at a 60 degree angle towards the patrons to provide an air curtain between smoking patrons and the employee, while the air from the rear of the diffuser is directed straight up to provide the employee with purified air.

The Airistar® 100GT is a mechanical filtration system that utilizes the most advanced filter media available to strip away unwanted particles without adding dangerous ozone or harmful chemicals to the air.

Key Features and Benefits

- **Three stage purification process**
- **Melt-Blown Fiber Filter Media:** The next generation of HEPA filter media. The Melt-Blown Fiber filter media used in the Airistar® 100GT is rated to capture 95% of particles larger than 0.3 microns at airflow ratios that surpass traditional HEPA filters.
- **Airistar's multipurpose VOC activated carbon filter** helps eliminate unwanted gases and fumes associated with tobacco products.
- **Airflow Rates:** Up to 130 CFM can be achieved when the unit is set to maximum blower speed.

Security

Security is always a concern and the Airistar® 100GT has been engineered so that it does not enable table theft / dealer and player tampering.

- Specialty screws prevent access to the components inside.
- Exhaust holes on top of the diffuser are sized for security.

Installation

The Airistar® 100GT is designed for various installation options. The purifier and diffuser are connected with a flexible plastic hose so that the purifier can be mounted in any location underneath the table or on the floor. The diffuser itself can either be inserted into the table between the chip tray and back rail or mounted directly to the back rail.

Specifications

- Purifier dimensions: 10" H x 11" W x 16" D
- Diffuser dimensions: 3" H x 2.5" W x 25" L; 7" D under table
- Load rated airflow range: 60 to 130 CFM based on settings
- Maximum amp draw: 1.0 amps @ 110V
- Two speed fan control
- Louvers on diffuser will close to restrict airflow by 25%



Replacement Filters

Part Number	Description
92-0124-00	Airistar® 100GT Table Game Air Purification System (Includes 1 Set of Filters)
92-0249-00	Airistar® 100GT Internal Prefilter <i>Color Code: Green</i>
92-0255-00	Airistar® 100GT Melt Blown Fiber Filter <i>Color Code: Yellow</i>
92-0256-00	Airistar® 100GT VOC/Carbon Filter <i>Color Code: Red</i>

THE AIRISTAR® HEXAFLOW™ PURIFICATION PROCESS

STAGE 1: Pre-filter The Pre-filter locks large particles like human hair, pollen, allergens, plant and fungal spores, allowing the subsequent filters to last longer and perform more effectively.

Stages 2+3: Dual Anti-microbial and Pleated Electrostatic Filter This dual filter catches and disinfects finer plant and fungal spores, lung damaging dust, pollen/allergens, dander and airborne bacteria. The filter attracts particles with static electricity and then disinfects the attracted particles with an anti-microbial solution. Our Pleated Electrostatic Filter acts as a net by trapping additional particles that are blown off the pre-filter.

Stage 4: HAPA™ Filter The HAPA™ is a High Airflow Particulate Air filter that removes smog, tobacco smoke, and finer lung damaging dust and bacteria. HAPA filters surpass traditional HEPA filters in capturing 99.97% of contaminants larger than 0.3 microns.

Stage 5: Activated Carbon Filter Our pleated activated carbon filter collects volatile organic compounds (VOCs), fumes and odors associated with smoke, mold, mildew and chemicals.

Stage 6: Ultraviolet Bulbs The purpose of titanium-coated UV-C bulb(s) prevent mold, mildew and microorganism growth on the Stage 5 VOC filter and kill most airborne bacteria and viruses smaller than 0.3 microns.

THE DIFFERENCE IS BREATHTAKING



SONIC SYSTEMS ULTRASONIC CASH BOX CLEANERS

Ultrasonic cleaning utilizes high frequency sound to create the formation & implosion of thousands of microscopic vacuum bubbles with intense scrubbing action — able to reach in the smallest of crevices to remove contaminants such as oils, dirt & dust — effectively cleaning cash boxes to insure proper operation of bill validators.

SONIC SYSTEMS STREAMLINE 6



- Processes up to six cash boxes at one time
- Stainless steel construction
- Dual tank unit with stainless steel cart / stand
- Thermostatically controlled electric heater
- Stainless steel cart with lower shelf and 2 swivel and 2 locking casters
- Proprietary Piezoelectric Ultrabrazed transducers allows for greater sound energy transmission into the cleaning zone
- 1000 watts ultrasonic
- Wash tank and rinse tank are each 36" L x 10" W x 8" D
- Remote solid state generator with 0-30 minute timer
- Optional stainless steel basket holds up to 3 cash boxes and insures proper positioning of cash boxes in tank

Part Number	Description
49-0810-00	Sonic Systems Stream-Line 6 Ultrasonic Cleaner
49-0787-00	Stainless Steel Basket For 3 Cash Boxes (need 2)
49-0811-00	Spray Wand
49-0813-00	Blow-Off Nozzle
49-0814-00	Inlet Coupling With Ball Valve For Rinse Tank

SUZOHAPP is your exclusive distributor for Sonic Systems Ultrasonic Cash Box Cleaners

SONIC SYSTEMS ULTRASONIC CASH BOX CLEANERS

SONIC SYSTEMS BENCH-TOP CLEANER

- Stainless steel construction
- Brazed transducers for higher cleaning efficiency without bond weakening
- High ultrasonic watt density
- Heated tank with digital temperature controller
- Will hold one (1) cash box
- Internal tank dimensions of 11.8" x 9.25" x 7.9" deep
- Capacity of 3.2 gallons
- Bottom drain with ball valve
- LCD display and digital control
- Digital timer adjustable 01-99 minutes
- Optional stainless steel basket insures proper positioning of cash box in bath



Part Number	Description
49-0772-00	Sonic Systems Digital Bench-Top Ultrasonic Cleaner
49-0773-00	Stainless Steel Basket Insures Proper Positioning of 1 Cash Box in Bath

SONIC SYSTEMS "T" SERIES CLEANER

- Stainless steel construction
- Designed to hold and clean 3 cash boxes
- Thermostatically controlled electric heater
- 600 watts ultrasonic
- Remote solid state generator with 0-30 minute timer
- Proprietary Piezoelectric Ultrabrazed transducers allows for greater sound energy transmission into the cleaning zone
- NPT elbow for drain, 3/4"
- Optional stainless steel basket insures proper positioning of 3 cash boxes in bath



Part Number	Description
49-0782-00	Sonic Systems "T" Series Ultrasonic Cleaner
49-0787-00	Stainless Steel Basket Insures Proper Positioning of 3 Cash Boxes in Bath
49-0797-00	Ball Valve For Drain, Stainless Steel
49-0799-00	Inlet Coupling With Ball Valve



LISTA
making workspace work®

WORKSPACE AND STORAGE SOLUTIONS FOR THE GAMING INDUSTRY

LISTA
making workspace work®



Durable LISTA workbenches with ESD protection and custom accessories give gaming machine technicians the space they need to get slots and other profit centers back on the floor.

LISTA also offers stationary and mobile storage cabinets that can be configured to securely hold and organize chips, cash, small tools, parts and more.



SUZO HAPP SERVICE GROUP

Suzo-Happ provides warranty and repair services on a variety of gaming, amusement, retail and vending products.



Suzo-Happ Service Programs

- Flat Rate Repairs*
- Reconditioned Products*
- On-Site Maintenance*
- In Select Locations*
- Pick Up & Delivery Service*
- In Select Locations*

Factory trained technicians located across the United States ensure your products are restored to original equipment manufacturer's specifications using factory approved parts. Responsive service support staff provide ease of processing your service needs. Trusted and proven service quality from original equipment manufacturers to end users.

REPAIR SERVICES

- LCD Monitors
- CRT Monitors
- Game Power Supplies
- Game Main Boards
- Bill Validators
- TouchTunes MJS/JCB

AUTHORIZED WARRANTY SERVICES

- MEI (Exclusive)
- Kortek (Exclusive)

PREMIER WARRANTY SERVICES

- Ceronix
- General Touch
- KOE-AMERICAS formerly Hitachi Player Tracking Displays
- Makvision
- Provision



For your convenience, please phone, fax or email for an RMA form and authorization number.

Service RMA and Inquiries

PHONE (866) 736-2374

FAX (702) 597-5360

EMAIL SERVICE@SUZOHAPP.COM

The SUZO-HAPP Group operates in the global gaming, amusement, vending, industrial, transportation and retail markets serving entertainment venue operators and original equipment manufacturers. Suzo-Happ supplies a wide variety of components, consumables and hardware products and provides marketing, engineering, design and technical repair services. The product lines offered by Suzo-Happ include coin and currency handling equipment, display solutions, control devices, game operation components, environmental products and consumables. The company's 500 employees serve more than 30,000 customers worldwide. Suzo-Happ has manufacturing, engineering, distribution and service capabilities in 14 locations globally.

More information is available at www.suzohapp.com

