

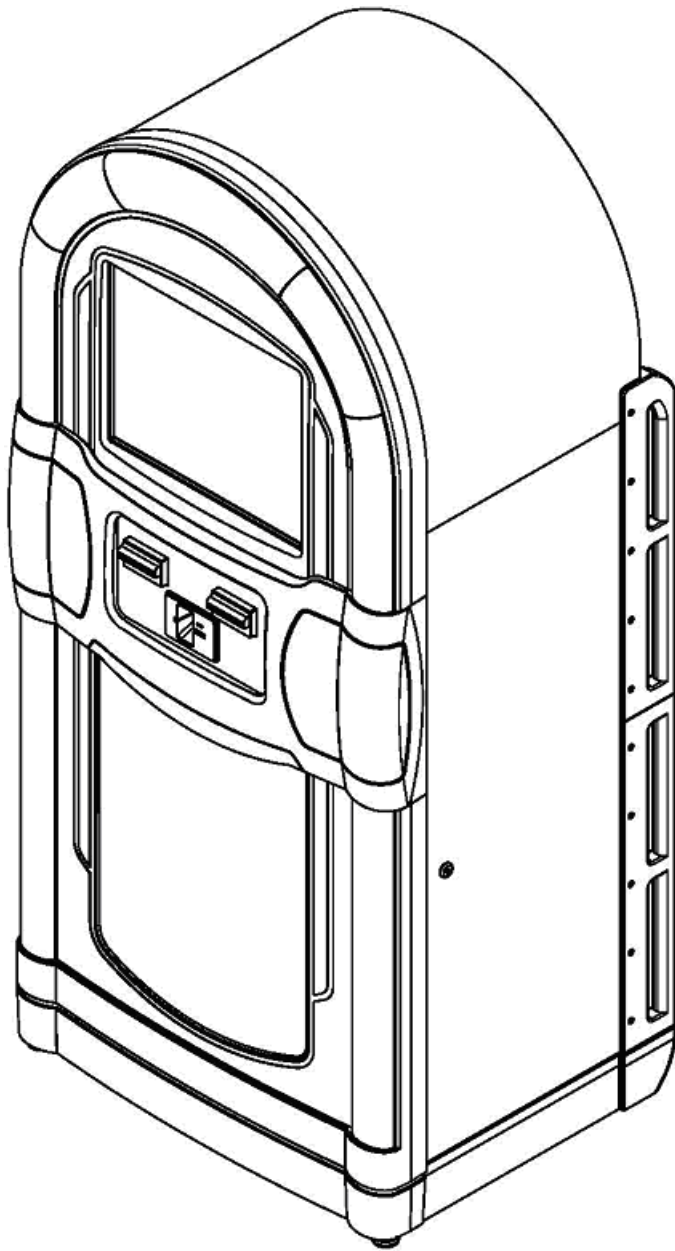
Parts Catalog



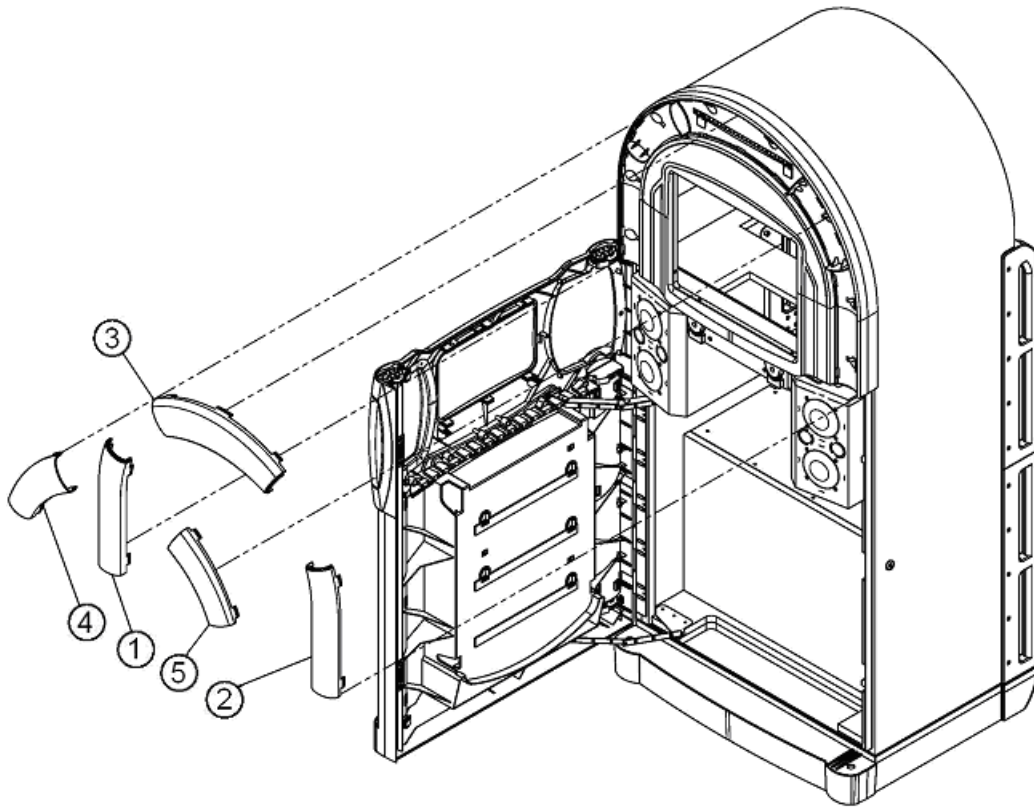
This chapter provides information to help you locate and identify the parts of your Allegro MX-1 jukebox.

Assembly

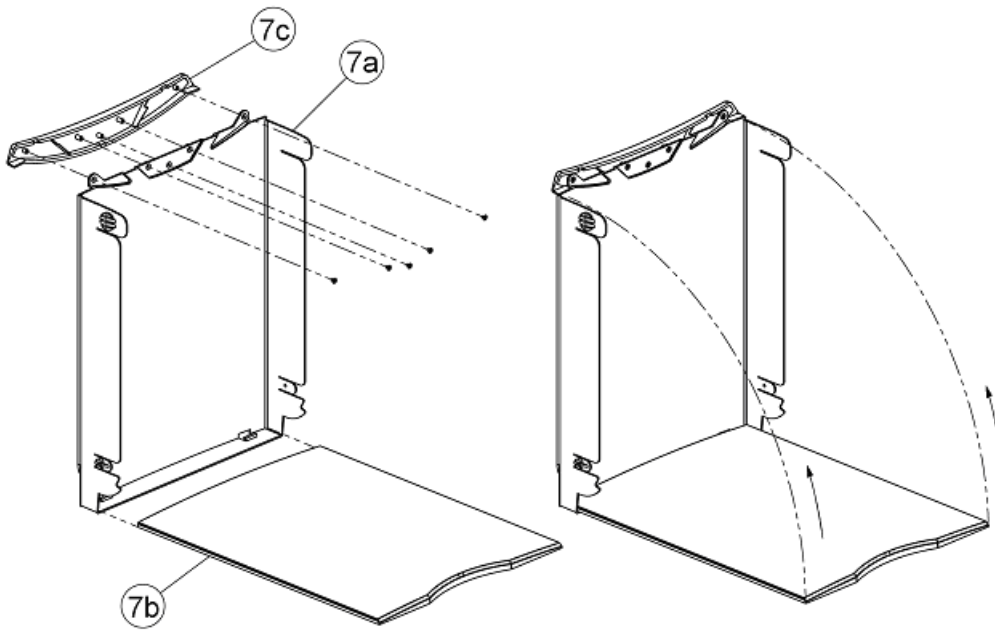
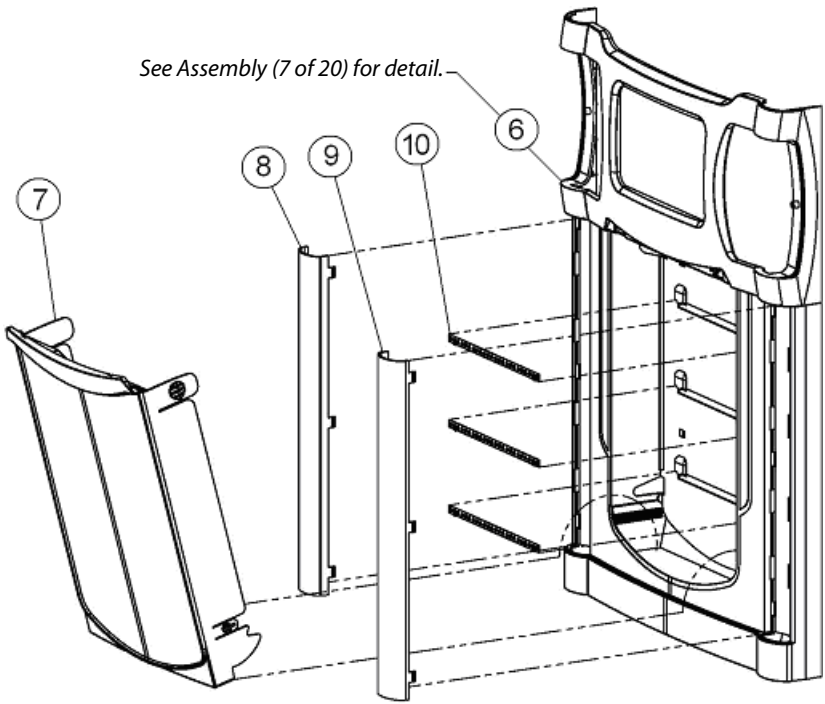
Use the following illustrations and the table on page 96 to identify the parts of your Allegro MX-1.



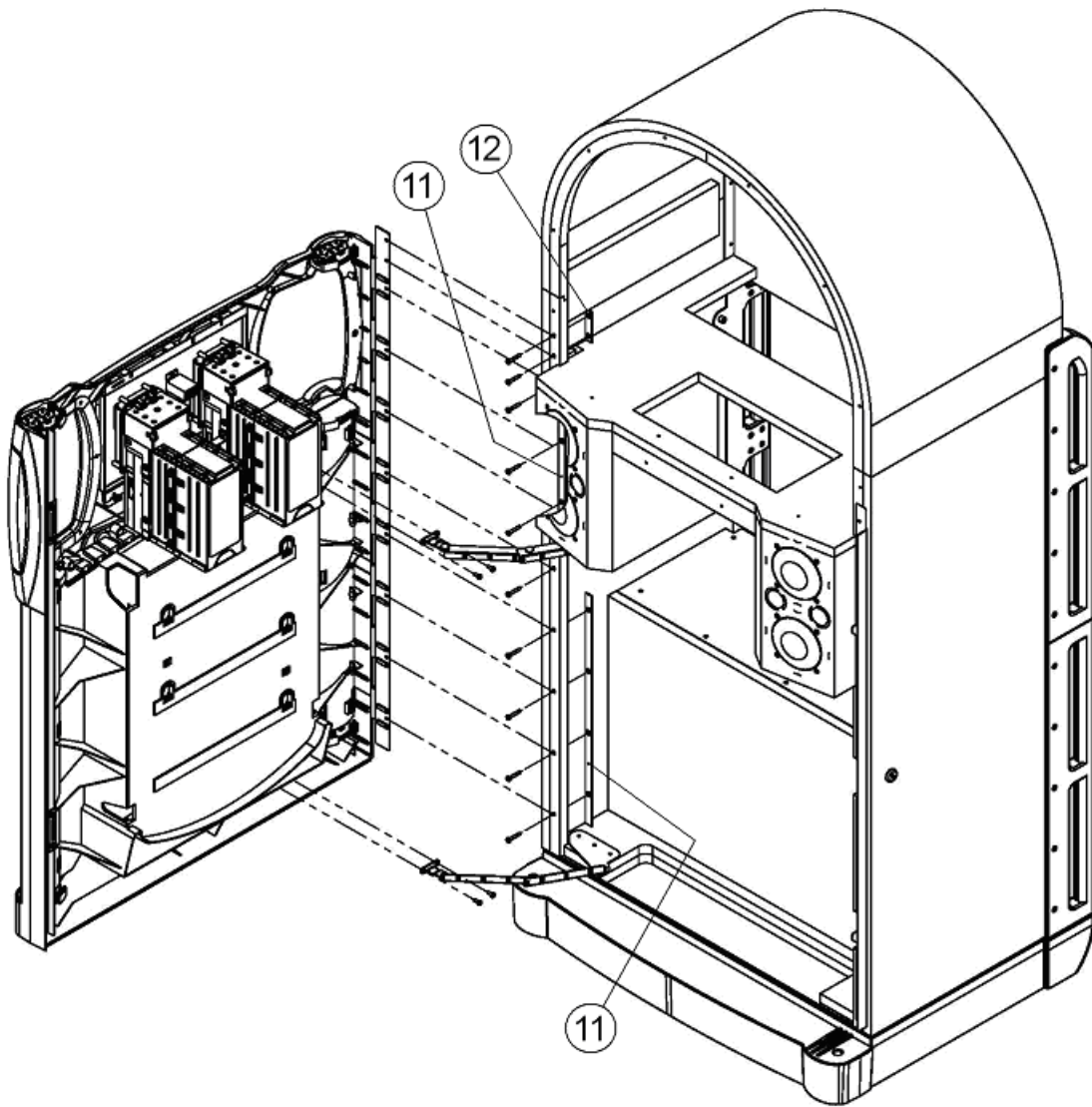
Assembly (1 of 20)



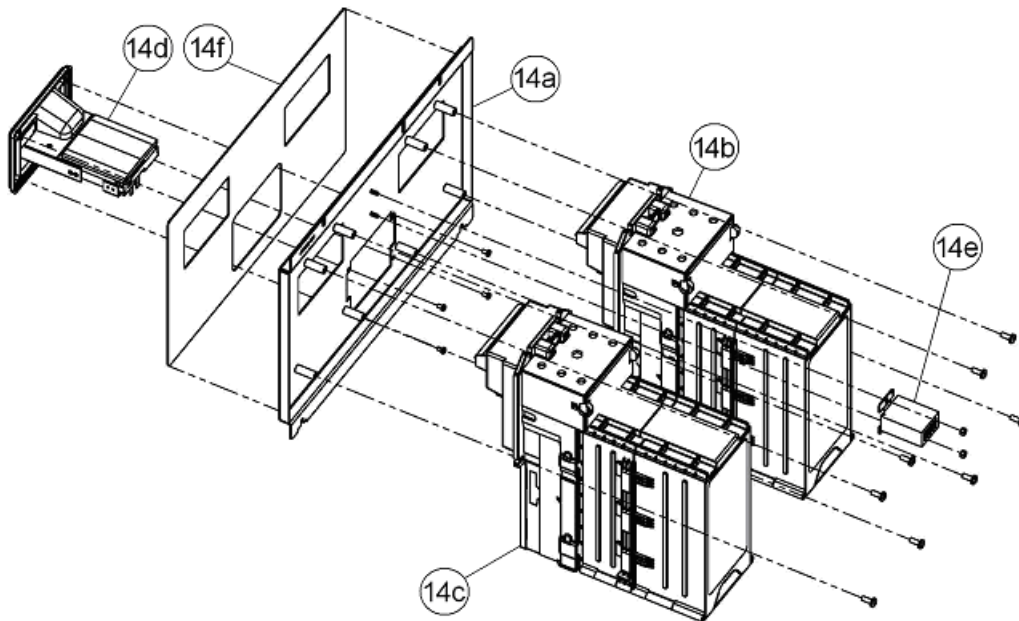
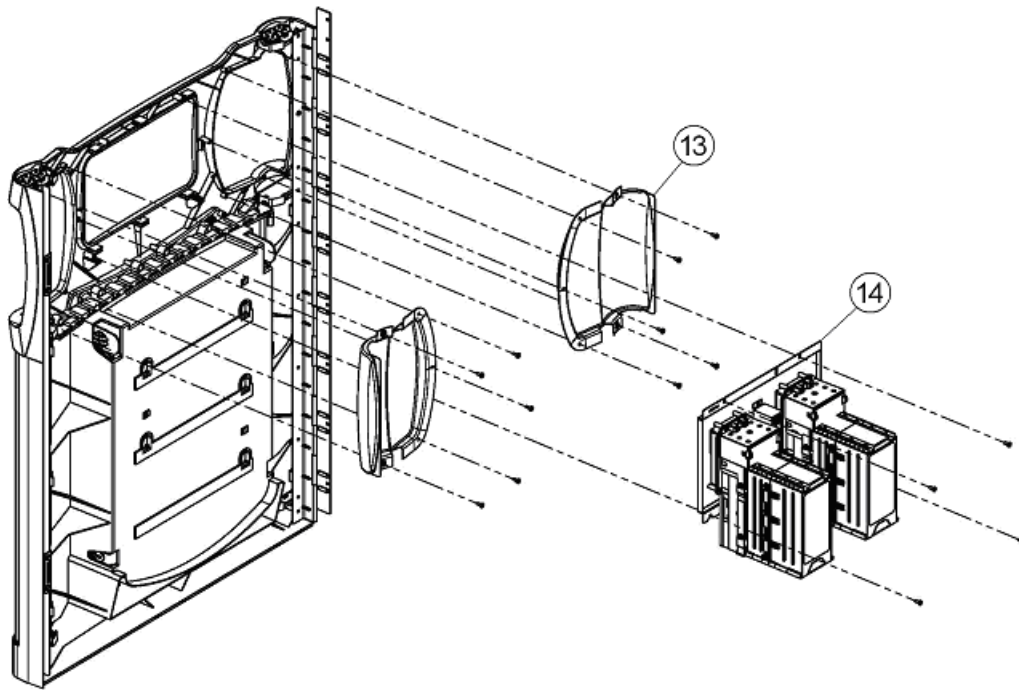
Assembly (2 of 20)



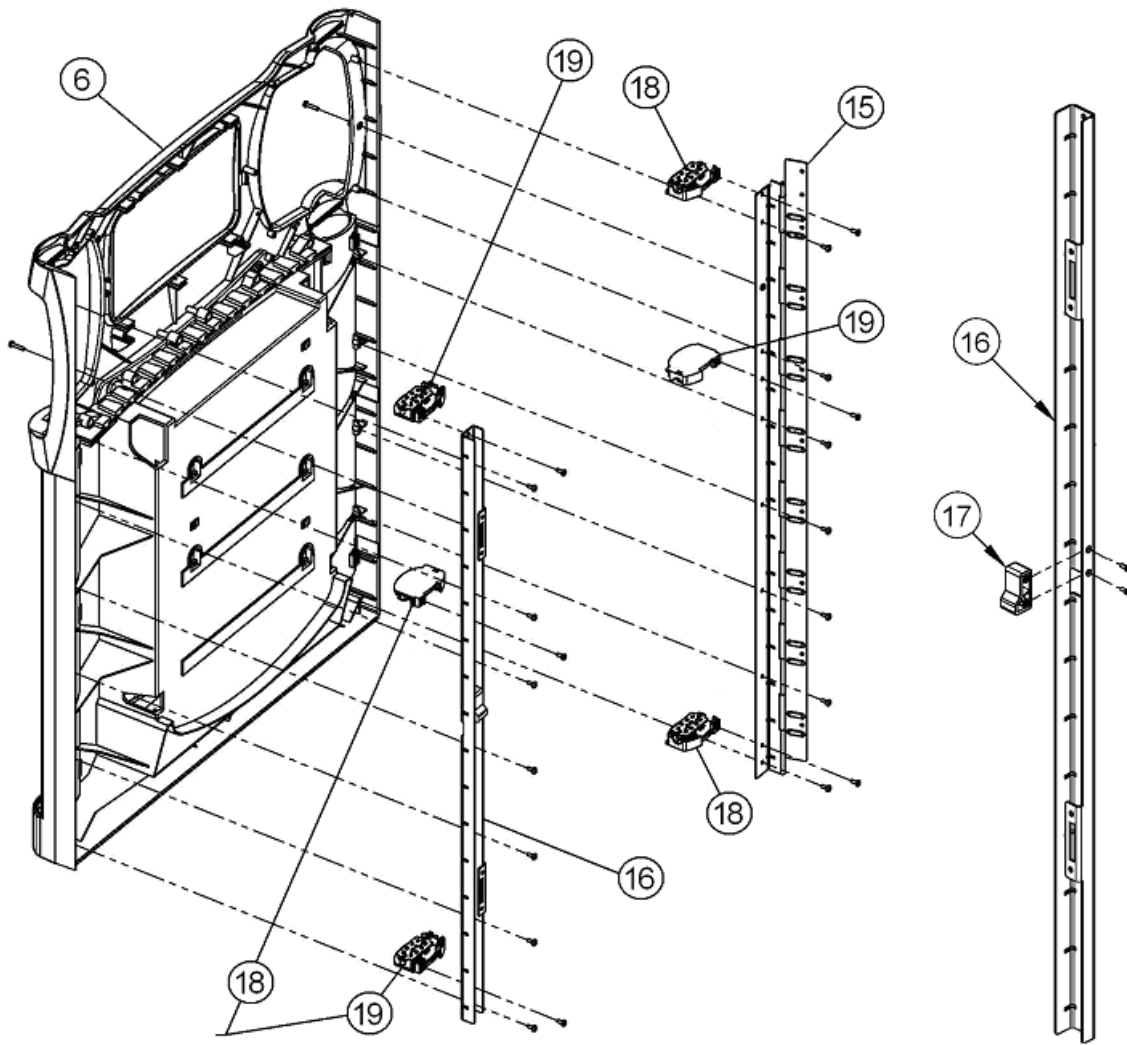
Assembly (3 of 20)



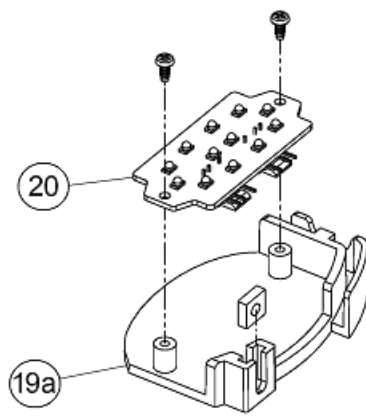
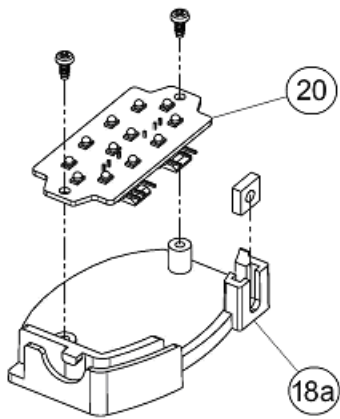
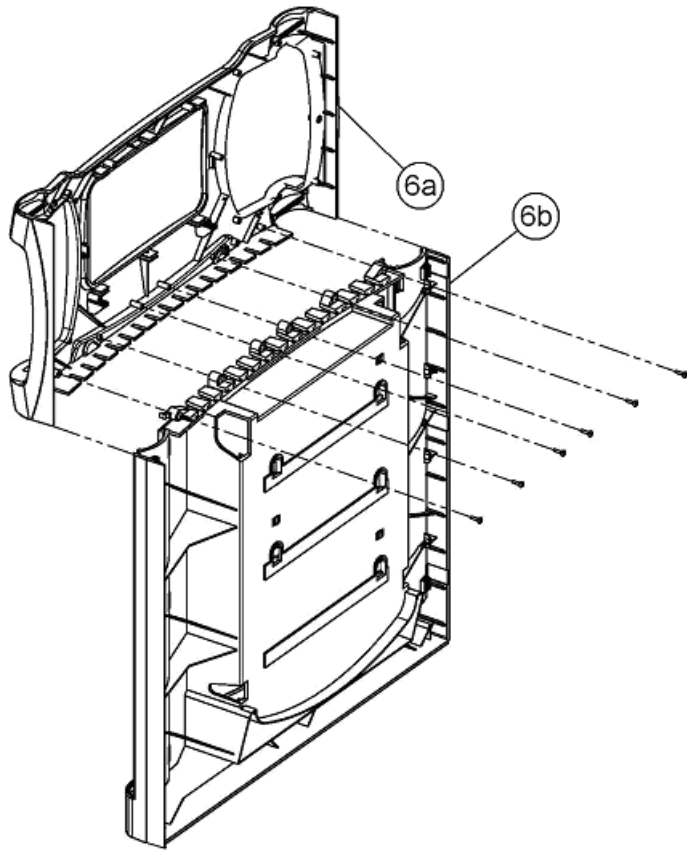
Assembly (4 of 20)



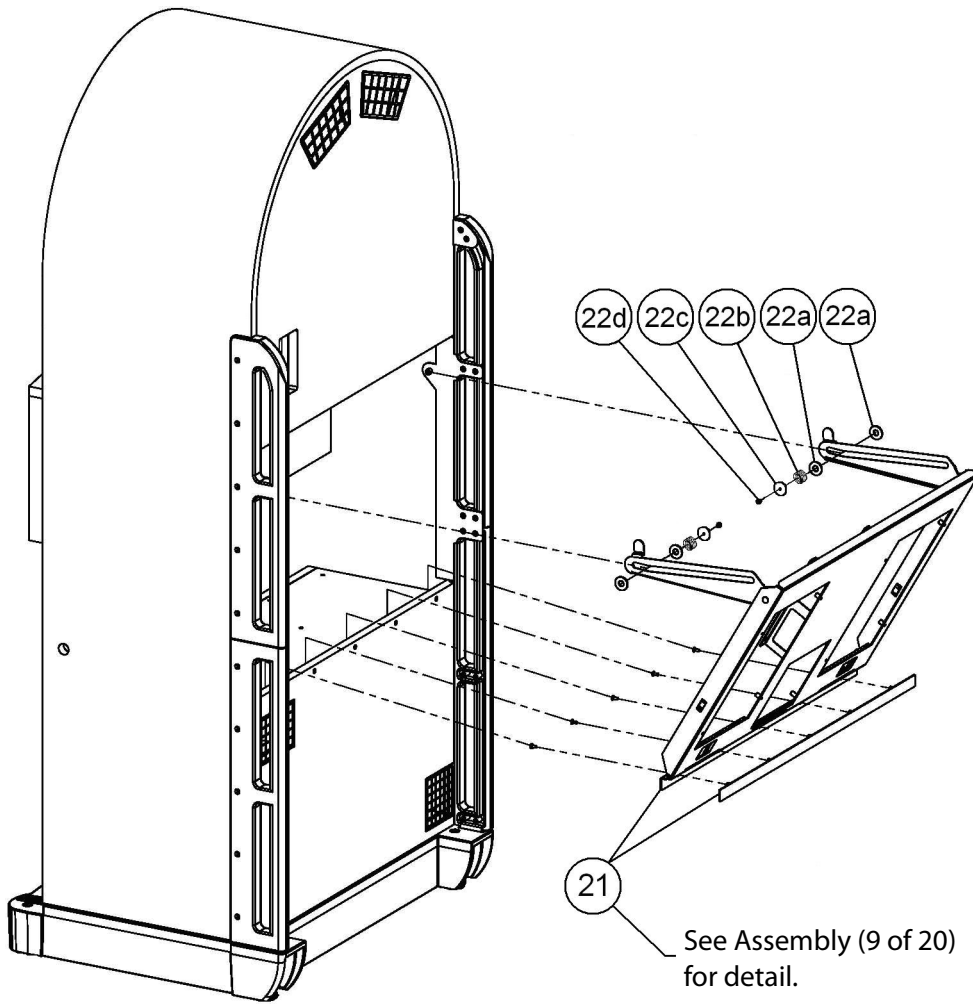
Assembly (5 of 20)



Assembly (6 of 20)

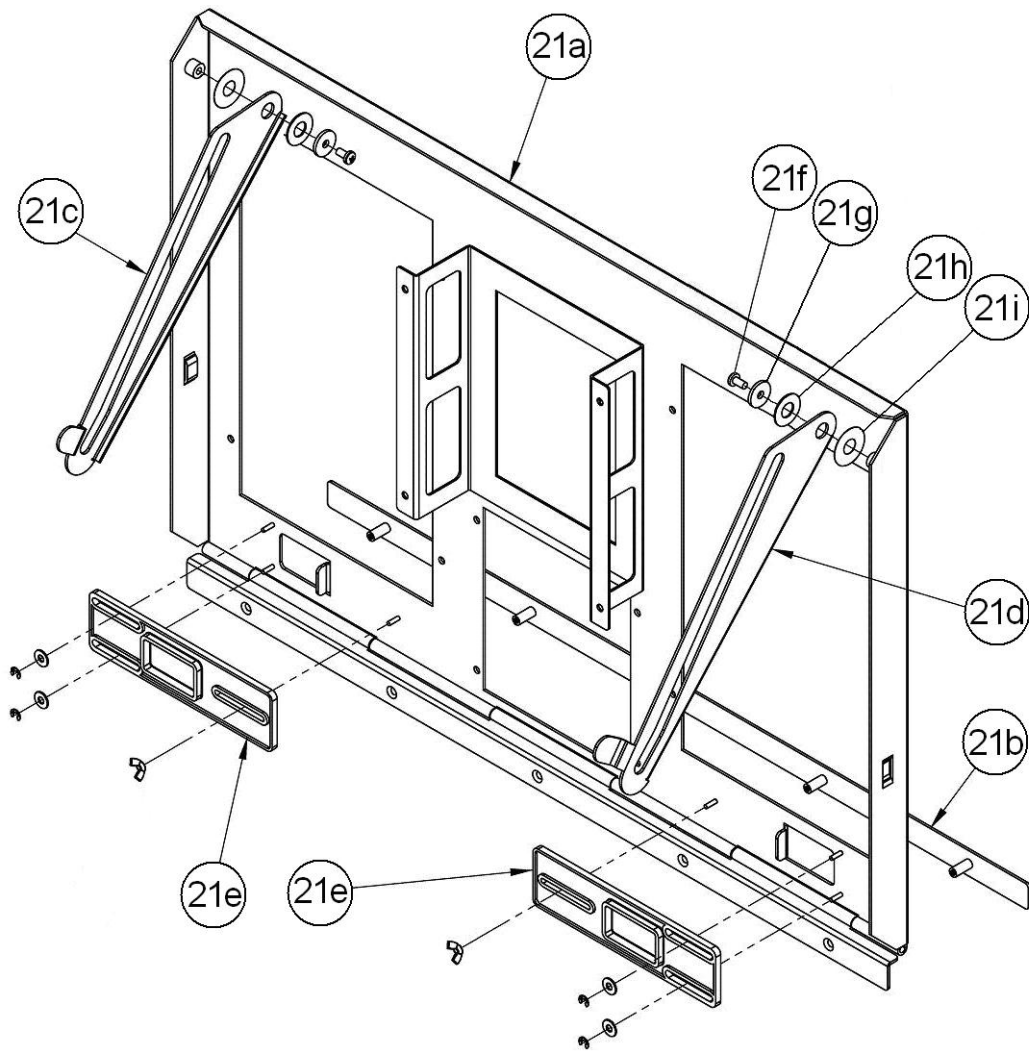


Assembly (7 of 20)

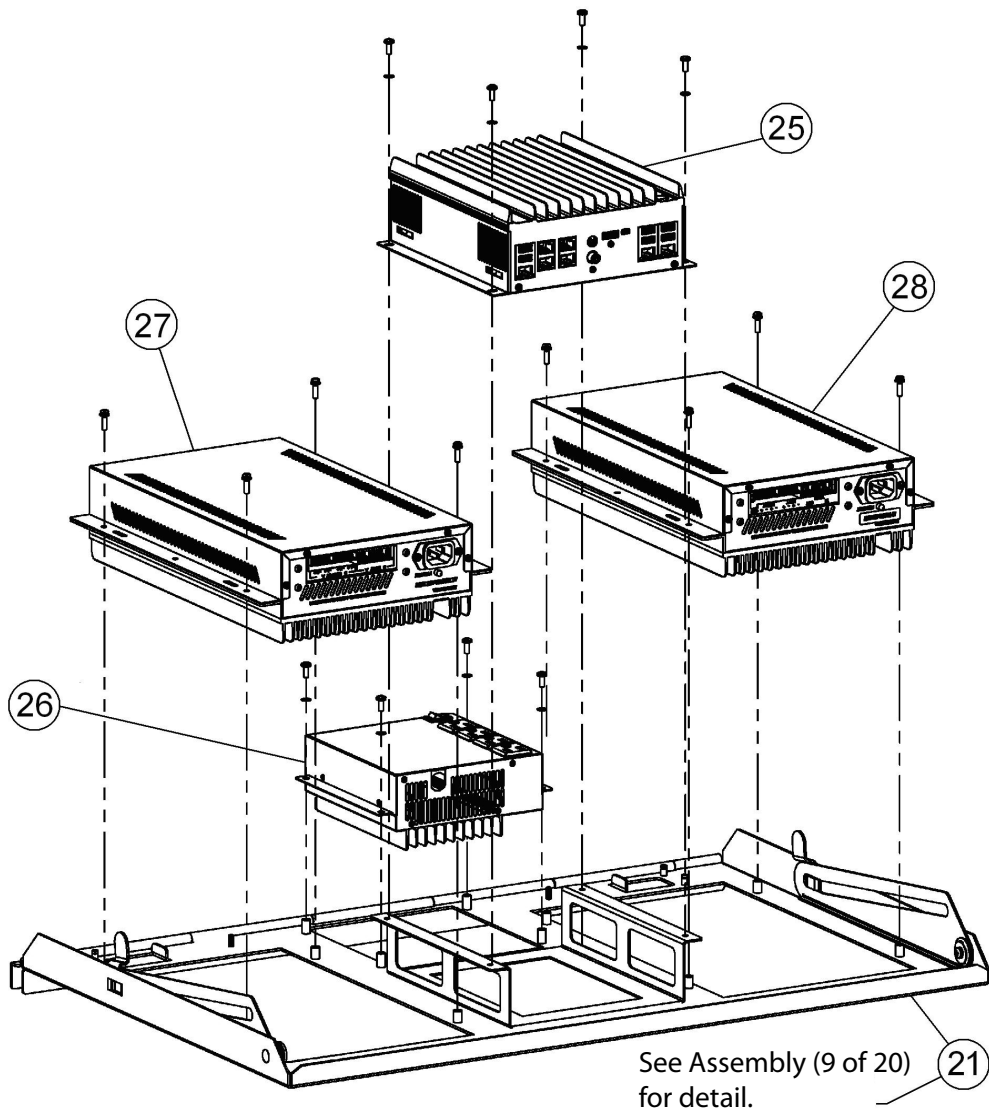


Assembly (8 of 20)

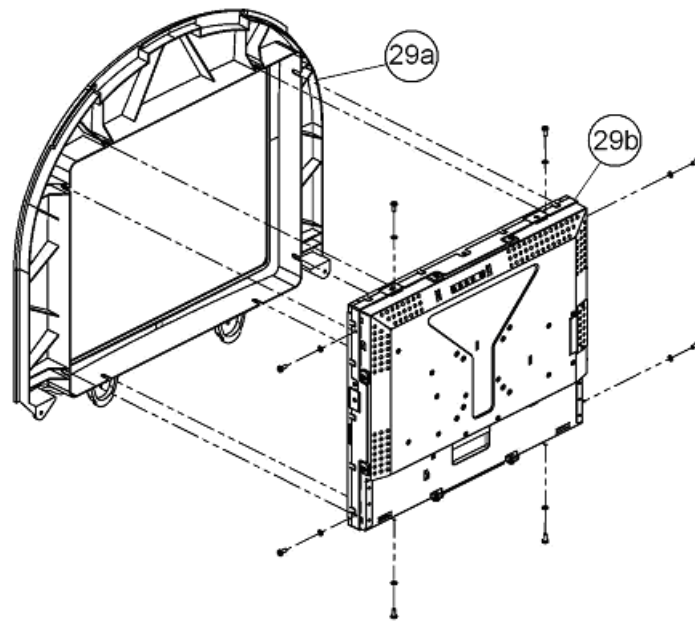
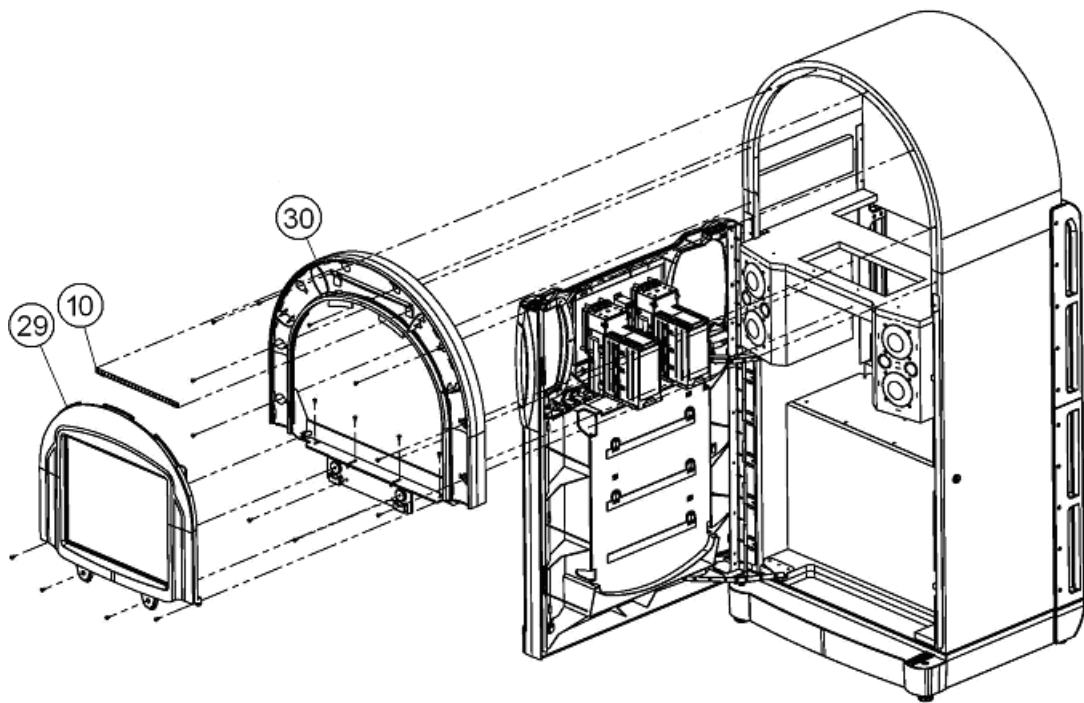
See Assembly (9 of 20)
for detail.



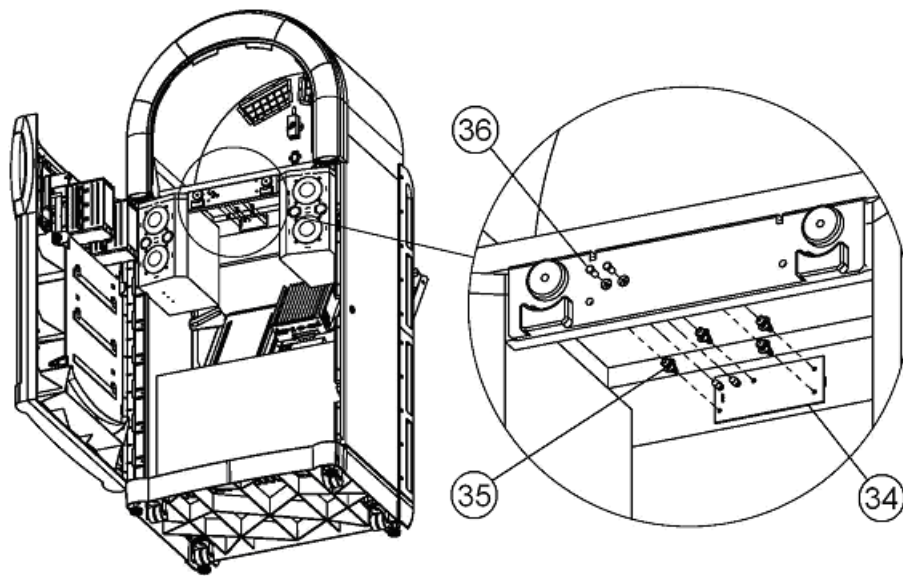
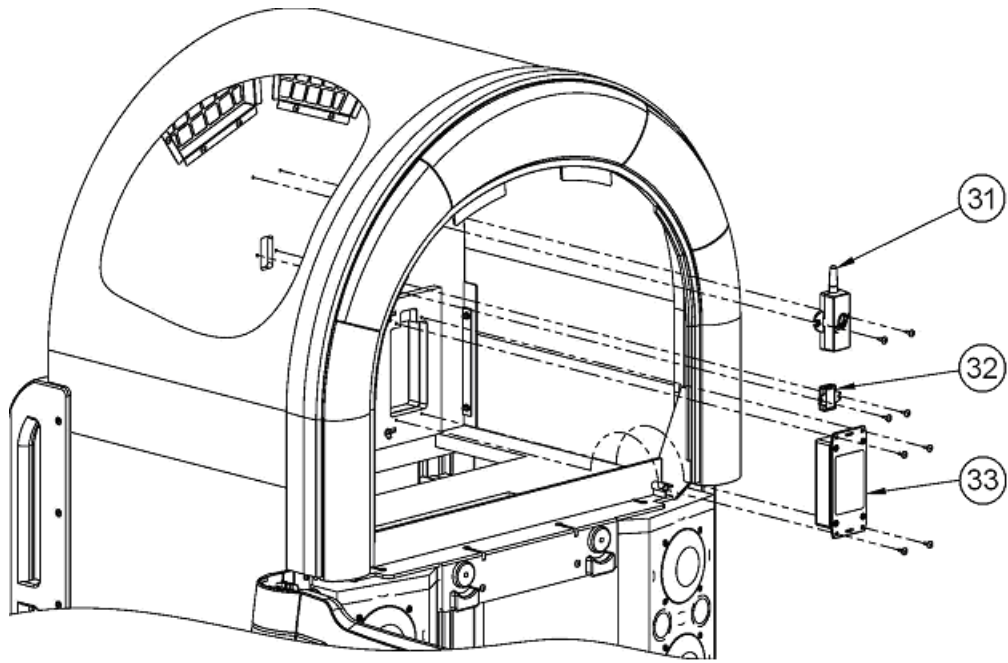
Assembly (9 of 20)



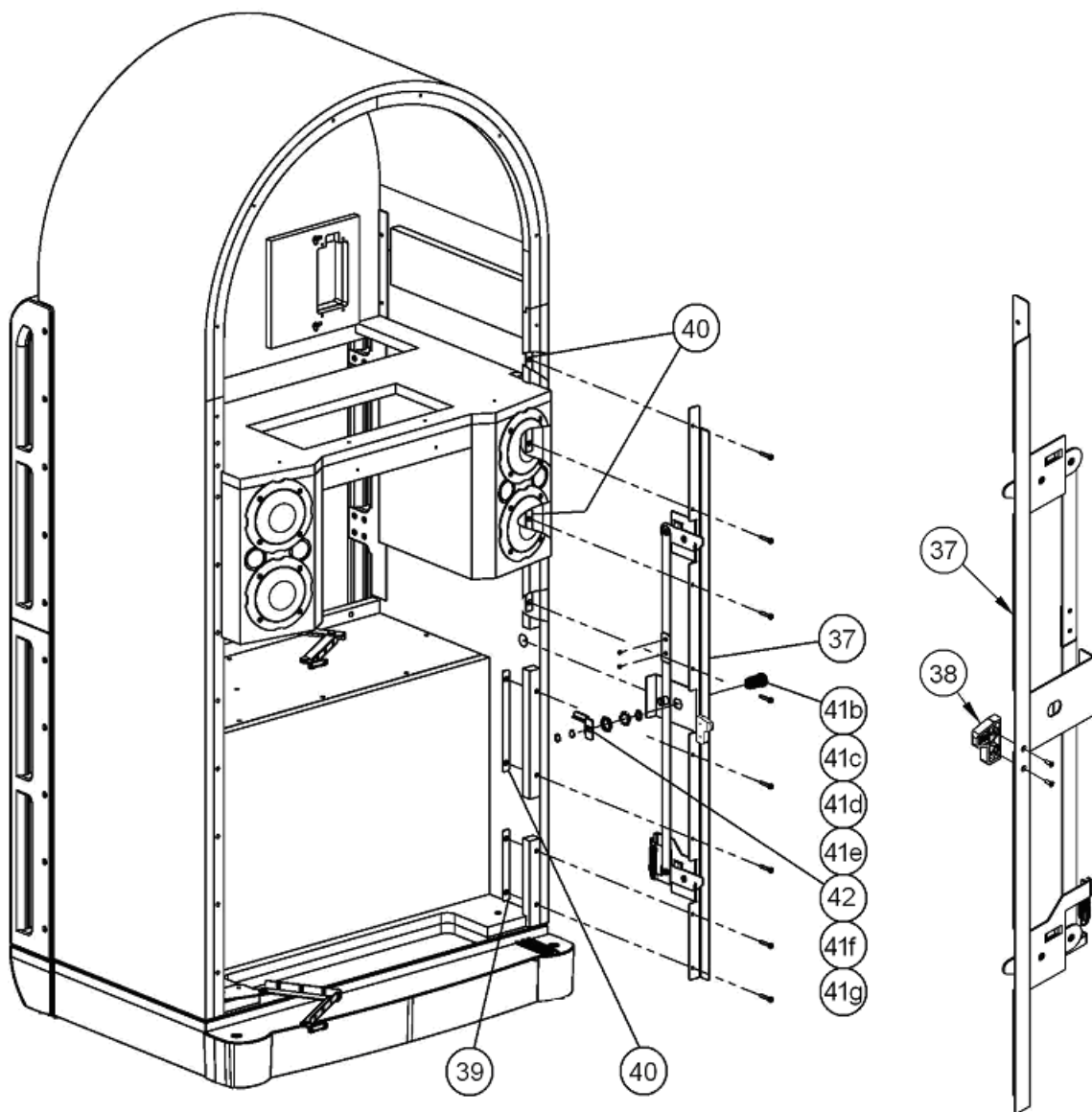
Assembly (10 of 20)



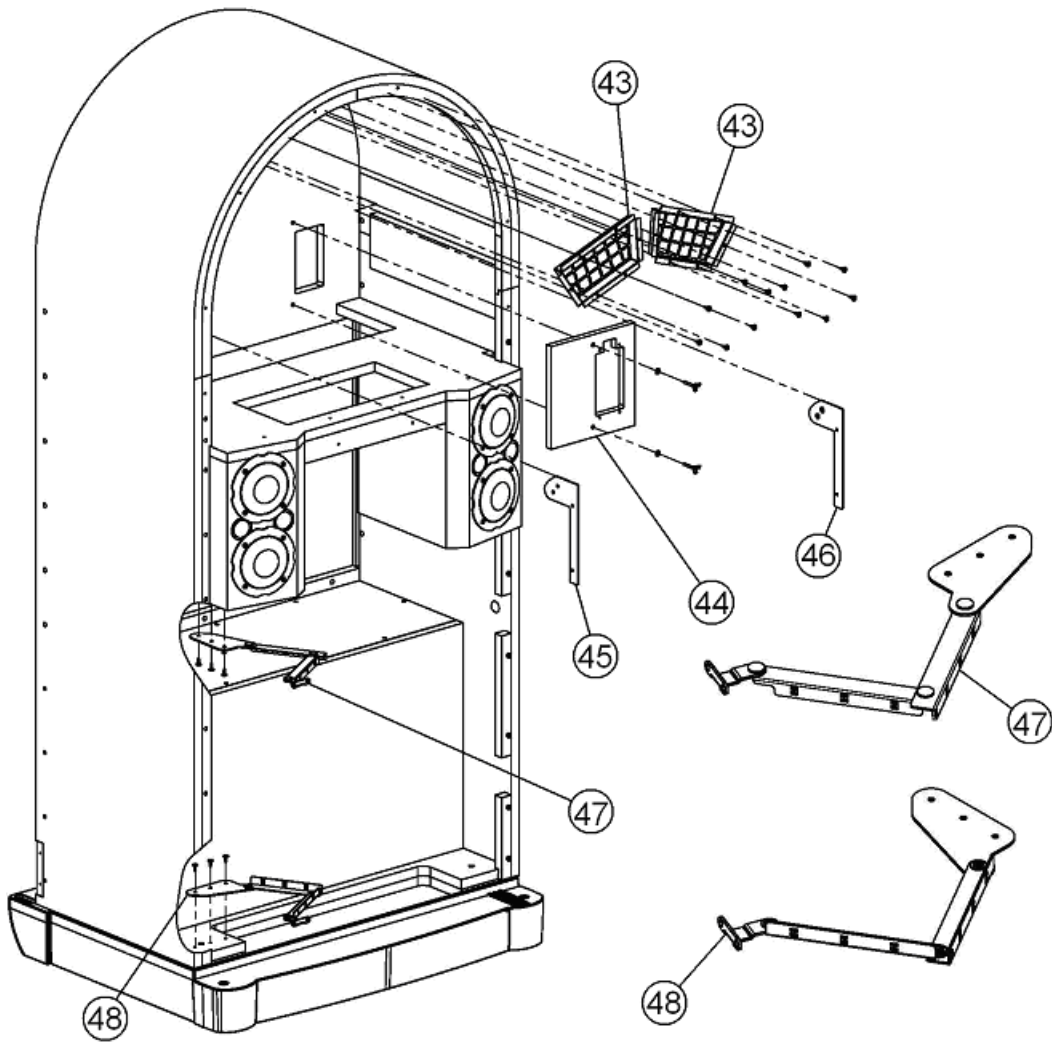
Assembly (11 of 20)



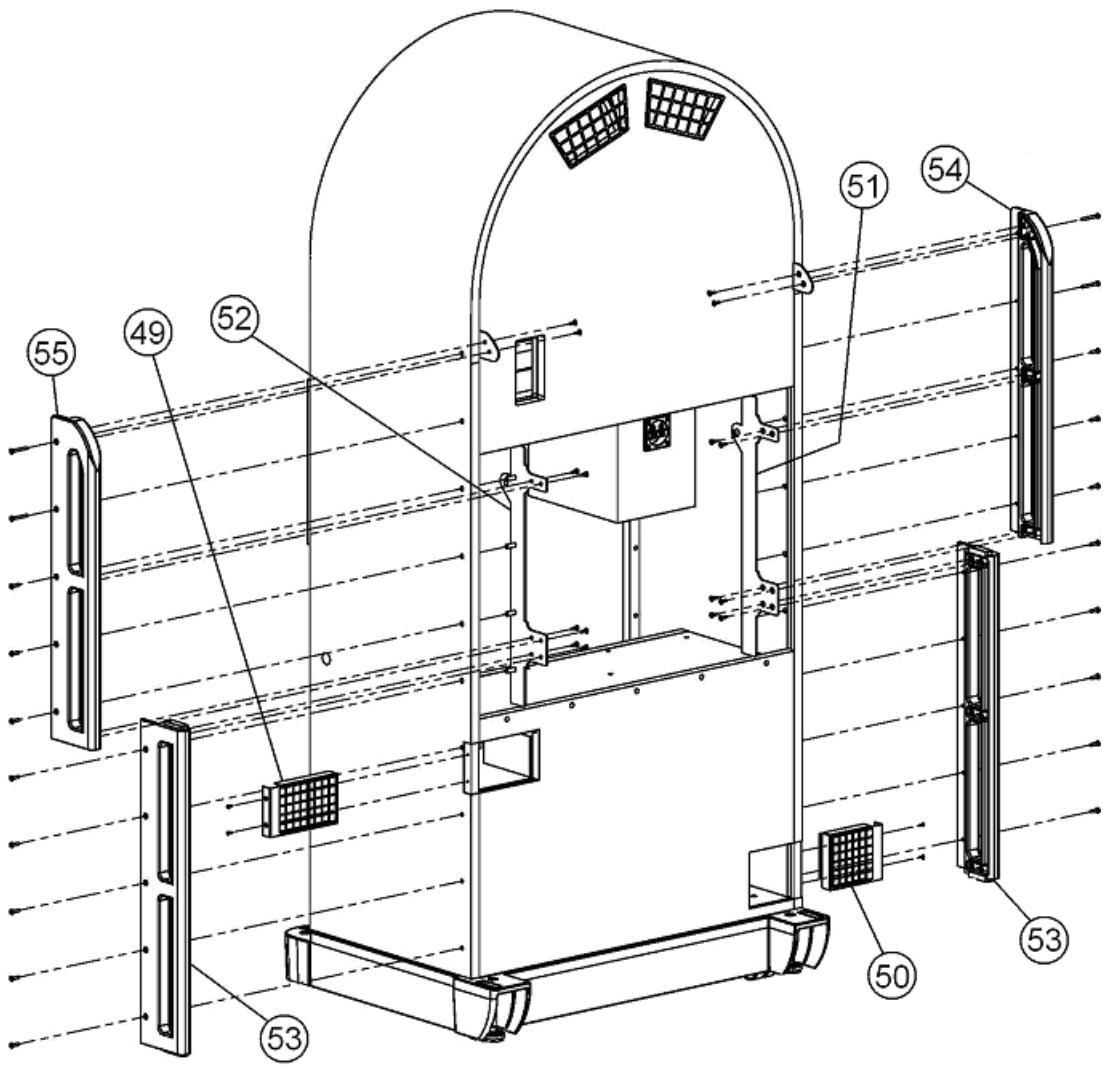
Assembly (12 of 20)



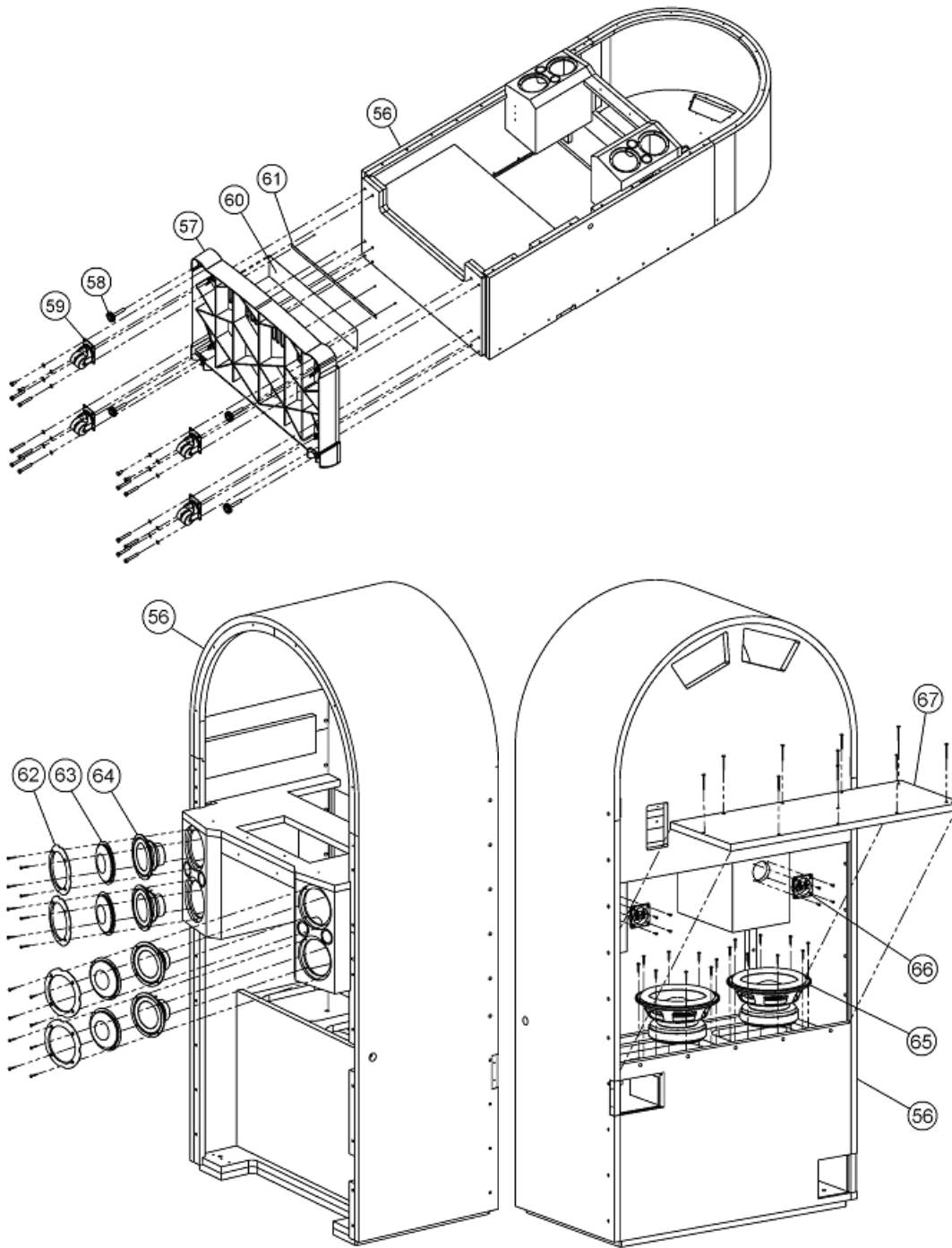
Assembly (13 of 20)



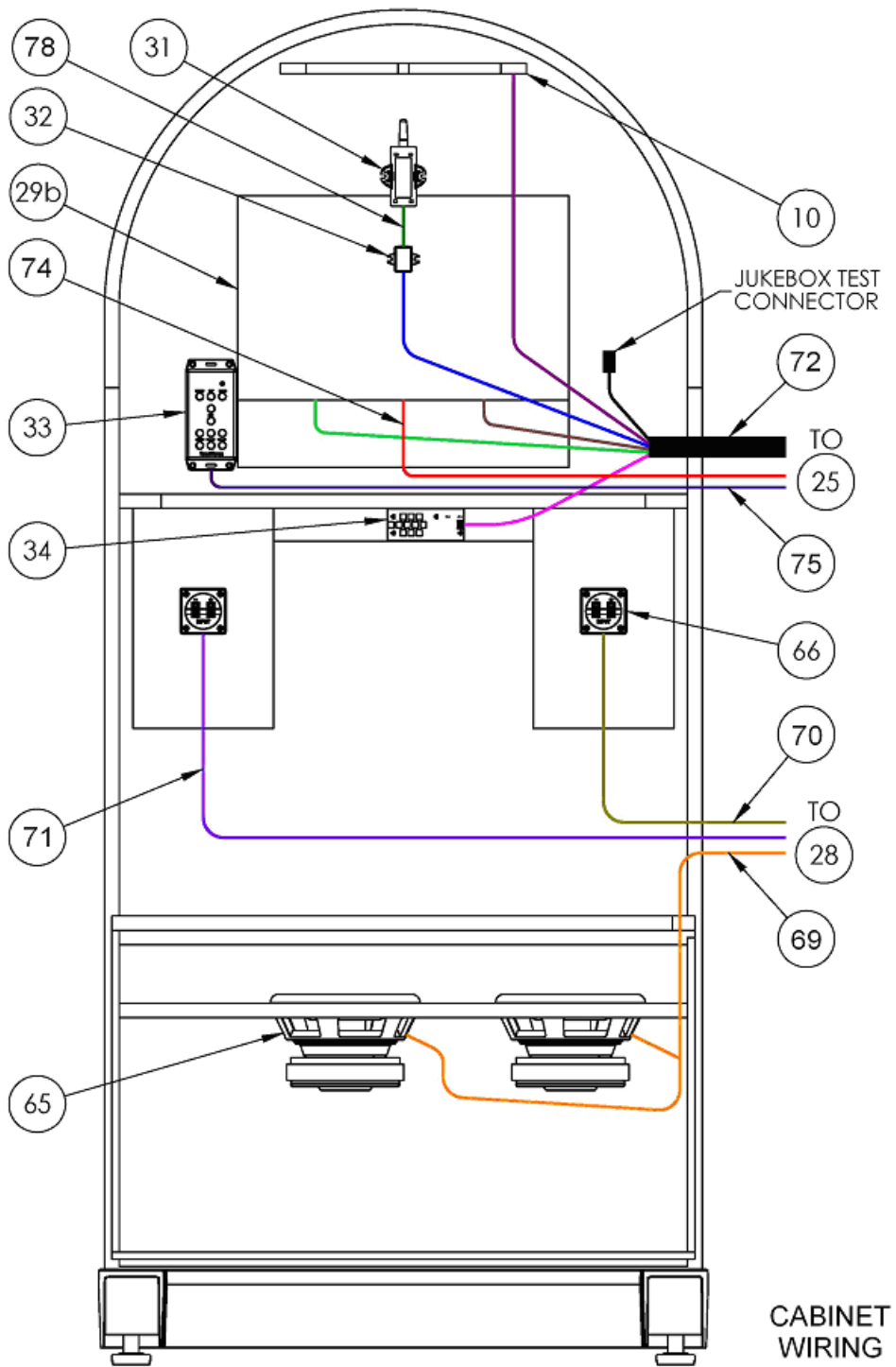
Assembly (14 of 20)



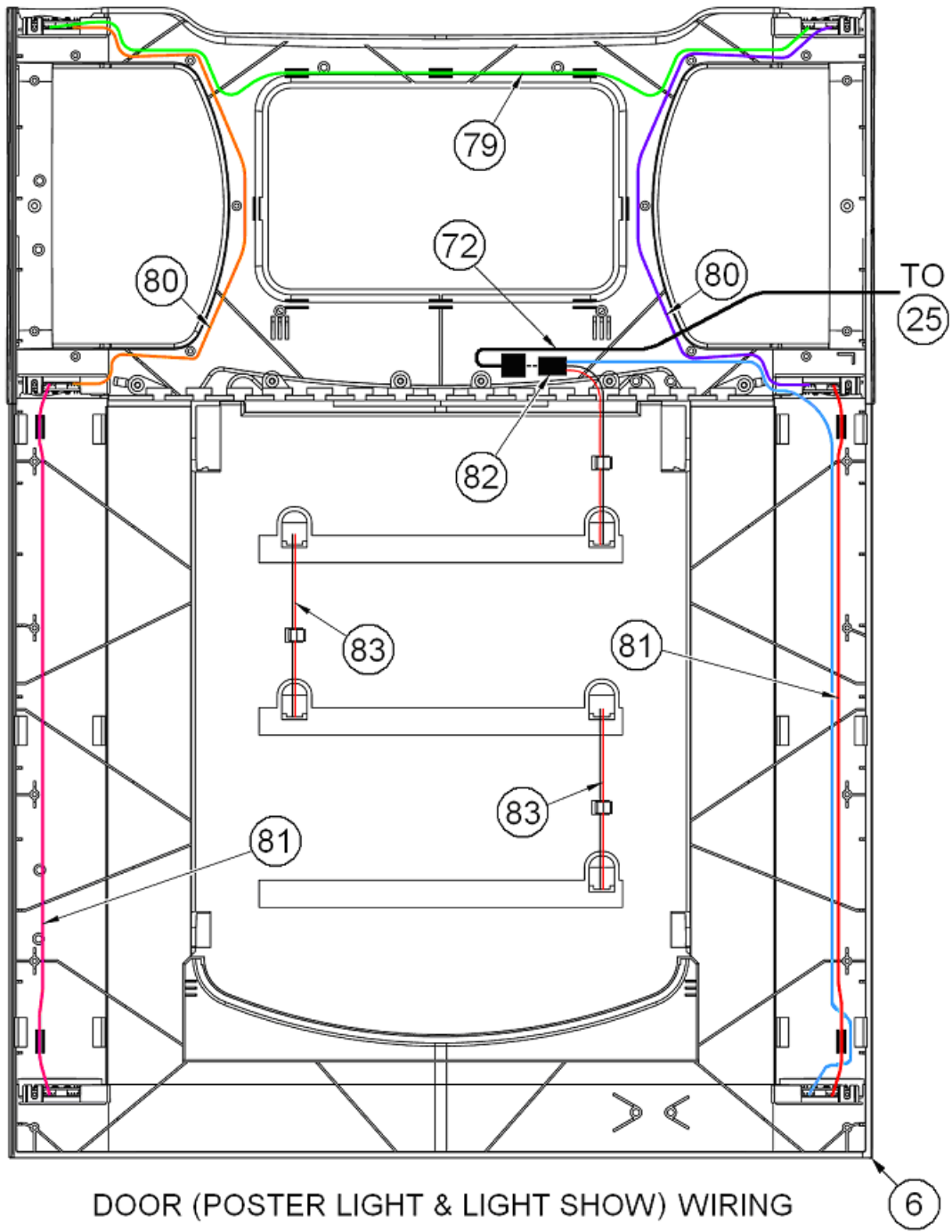
Assembly (15 of 20)



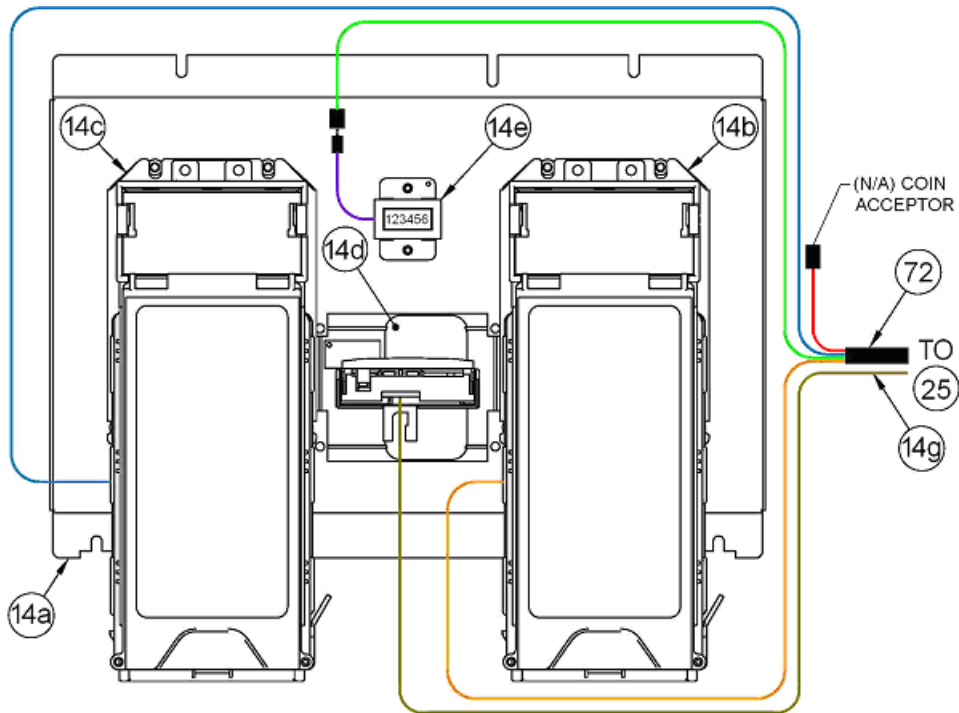
Assembly (16 of 20)



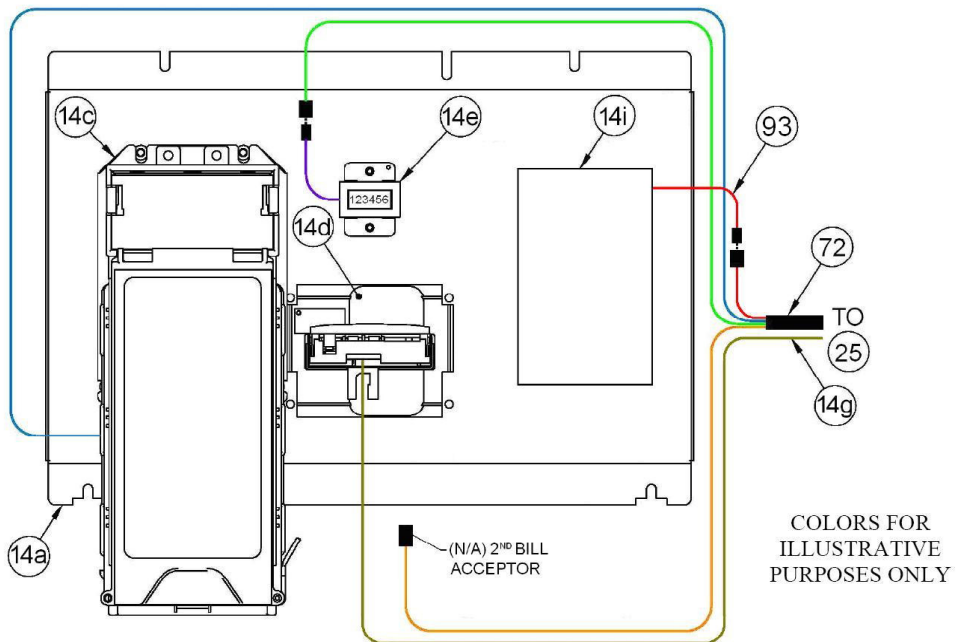
Assembly (18 of 20)



Assembly (19 of 20)



DOOR (PAYMENT) WIRING



DOOR (PAYMENT W/ COIN) WIRING

Parts List

Item	Part no.	Description	Qty.	Drawing(s)	Note
1	400440-001	ARCH LENS, LEFT	1	2	
2	400440-002	ARCH LENS, RIGHT	1	2	
3	400437-001	ARCH LENS, TOP	1	2	
4	400438-001	ARCH SHADE, LEFT	1	2	
5	400438-002	ARCH SHADE, RIGHT	1	2	
6	-	DOOR FRAME ASSEMBLY	-	3,5,6,7,19	
6a	400450-001	DOOR FRAME, TOP	1	3,7	
6b	400451-001	DOOR FRAME, BOTTOM	1	3,7	ORDER W/ 6d, 6e, 10(3x)
6d	400511-001	DOOR LENS REFLECTOR,LEFT (NOT SHOWN)	1	-	
6e	400511-002	DOOR LENS REFLECTOR,RIGHT (NOT SHOWN)	1	-	
7	-	POSTER BAY ASSEMBLY	-	3	
7a	400454-001	POSTER FRAME	1	3	
7b	400501-001	POSTER BACKING	1	3	
7c	400455-001	POSTER SHADE	1	3	
7d	-	POSTER (NOT SHOWN)	1	3	
8	400459-001	DOOR LENS LEFT	1	3	
9	400459-002	DOOR LENS RIGHT	1	3	
10	300217-001	LED STRIP, WHITE	4	3,11,18	
11	400445-001	DOOR MOUNTING PLATE, LONG	2	4	
12	400465-001	DOOR MOUNTING PLATE SHORT	1	4	
13	400453-001	SPEAKER GRILL W/ FABRIC	2	5	
14	-	PAYMENT KIT,US - DUAL BILL	-	5	
14a	400502-001	PAYMENT PLATE, US - DUAL BILL	1	5,20	
14b	400331-001	BILL ACCEPTOR, US	1	5,20	
14c	400331-001	BILL ACCEPTOR, US	1	5,20	
14d	400361-001	CARD READER	1	5,20	
14e	100248-001	COUNTER MODULE	1	5,20	
14f	900264-001	PAYMENT LEXAN, US - DUAL BILL	1	5	
14g	-	CARD READER CABLE (C/W CARD READER)	1	17,20	
14h	400524-001	CARD READER CABLE BRACKET (NOT SHOWN)	1	-	
14i	-	COIN ACCEPTOR	1	20	
15	400444-001	HINGE	1	6	
16	400458-001	DOOR LOCK BRACKET	1	6	

Item	Part no.	Description	Qty.	Drawing(s)	Note
17	400509-001	DOOR GUIDE, UPPER	1	6	
18	-	LED MODULE ASSEMBLY LEFT	-	6,7	
18a	400456-001	LED MODULE HOLDER, LEFT	3	7	
19	-	LED MODULE ASSEMBLY RIGHT	-	6,7	
19a	400456-002	LED MODULE HOLDER, RIGHT	3	7	
20	300159-001	LED MODULE	6	7	
21	-	SERVICE TRAY ASSEMBLY	-	8,9,10,17	
21a	400421-001	SERVICE TRAY	1	10	
21b	400426-001	SERVICE TRAY MOUNTING PLATE	1	10	
21c	400424-001	LOCKING SLIDER, LEFT	1	10	
21d	400424-002	LOCKING SLIDER, RIGHT	1	10	
21e	400427-001	STRAIN RELIEF	2	10	
21f	-	SCR,X-PAN,M5	2	10	
21g	-	WASHER,WIDE,M5	2	10	
21h	-	SPRING,COMPRESSION	2	10	
21i	-	WASHER,LEXAN	2	10	
21j	-	WASHER,SHIM,LEXAN	2	10	
22	-	WASHER,M10,NYLON	4	8	
23	-	WASHER,M4	2	8	
24	-	SCR,X-PAN,M4	2	8	
25	300272-001	COMPUTER, JCB	1	9,17	
26	300244-001	POWER SUPPLY	1	9,17	
27	700039-154	AMP, 4 CHANNEL	1	9,17	
28	700039-153	AMP, 3 CHANNEL	1	9,17	
29	-	BEZEL ASSEMBLY	-	11	
29a	400442-001	MONITOR BEZEL	1	11	
29b	300273-001	MONITOR	1	11,18	
30	-	ARCH FRAME ASSEMBLY	-	11	
30a	400436-001	ARCH FRAME	1	-	ORDER W/ 30b-30e, 10(1X)
30b	400512-001	ARCH REFLECTOR, LEFT (NOT SHOWN)	1	-	
30c	400512-002	ARCH REFLECTOR, RIGHT (NOT SHOWN)	1	-	
30d	400513-001	TOP LENS REFLECTOR (NOT SHOWN)	1	-	
30e	400514-001	TOP LENS END REFLECTOR (NOT SHOWN)	4	-	
31	300268-001	RF MODULE	1	12,18	
32	300270-001	ID MODULE	1	12,18	

Item	Part no.	Description	Qty.	Drawing(s)	Note
33	700038-001	WIRED REMOTE	1	12,18	
34	300312-001	SERVICE LIGHT MODULE	1	12,18	
35	-	CIRCUIT BOARD SUPPORT	4	12	
36	-	LIGHT PIPE	2	12	
37	400462-001	LOCK ASSEMBLY	1	13	
38	400510-001	DOOR GUIDE, LOWER	1	13	
39	400475-001	LOCK BACKING PLATE, SHORT	1	13	
40	400475-002	LOCK BACKING PLATE, LONG	3	13	
41	400517-001	KEYLOCK ASSEMBLY	-	13	
41a	-	KEY (NOT SHOWN)	2	13	
41b	-	KEYLOCK	1	13	
41c	-	CAMSTOP	1	13	
41d	-	LOCKWASHER,M19	1	13	
41e	-	NUT,M19	1	13	
41f	-	LOCKWASHER	1	13	
41g	-	NUT	1	13	
42	400443-001	CAMLOCK	1	13	
43	400435-001	CABINET VENT GRILL, UPPER	2	14	
44	400461-001	WIRED REMOTE SPACER	1	14	
45	400431-001	HANDLE BRACKET, UPPER LEFT	1	14	
46	400431-002	HANDLE BRACKET, UPPER RIGHT	1	14	
47	400463-001	DOOR LIMITER, UPPER	1	14	
48	400463-002	DOOR LIMITER, LOWER	1	14	
49	400433-001	BASE PORT GRILL UPPER	1	15	
50	400434-001	BASE PORT GRILL LOWER	1	15	
51	400422-001	HANDLE BRACKET, LOWER LEFT	1	15	
52	400422-002	HANDLE BRACKET, LOWER RIGHT	1	15	
53	400430-001	LOWER HANDLE	2	15	
54	400428-001	UPPER HANDLE LEFT	1	15	
55	400428-002	UPPER HANDLE RIGHT	1	15	
56	400460-001	CABINET ENCLOSURE	1	16	
57	400446-001	BASE FRAME	1	16	
58	400448-001	LEVELER	4	16	
59	400447-001	CASTER	4	16	
60	400449-001	CABINET VENT GRILL, LOWER	1	16	
61	400508-001	GRILL RETAINING STRIP	1	16	

Item	Part no.	Description	Qty.	Drawing(s)	Note
62	400473-001	SATELLITE SPEAKER RING	4	16	
63	400466-001	SATELLITE SPEAKER GRILL	4	16	
64	300212-001	DRIVER, 4"	4	16	
65	300211-001	DRIVER, 8"	2	16,18	
66	100247-001	T-CUP CONNECTOR	2	16,18	
67	400474-001	BASE PORT ACCESS PANEL	1	16	
68	-	BASE PORT ACCESS PANEL GASKET (NOT SHOWN)	1	-	
69	300277-036	SUBWOOFER CABLE	1	17,18	
70	300276-050	SPEAKER CABLE 50"	1	17,18	
71	300276-058	SPEAKER CABLE 58"	1	17,18	
72	300298-001	MAIN WIRING HARNESS	1	17,18,19,20	
73	300048-120	POWER CORD, 10'	1	17	
74	300163-072	VGA CABLE, 72"	1	17,18	
75	300198-060	WIRED REMOTE CABLE, 60"	1	17,18	
76	300142-TBD	INTERNET CABLE (LENGTH TBD)	1	17	(NOT INCLUDED)
77	300142-016	RJ45 AUDIO CABLE, 16"	4	17	
78	300299-003	ID TO RF CABLE	1	18	
79	300166-032	LIGHT SHOW CABLE, 32"	1	19	
80	300166-024	LIGHT SHOW CABLE, 24"	2	19	
81	300166-025	LIGHT SHOW CABLE, 25"	2	19	
82	300280-037	LIGHT SHOW CABLE, W/ CONNECTOR	1	19	
83	300317-008	LED SRIP INTERCONNECT, 8"	2	19	
84	600024-001	REMOTE W/ BRACKET + INSTRUCTIONS (NOT SHOWN)	1	-	
85	700185-001	SATELLITE SPEAKER UNIT (NOT SHOWN)	4	-	
86	700004-001	LINE-IN INTERFACE (NOT SHOWN)	1	-	
87	700166-001	MIC BOX (NOT SHOWN)	1	-	
88	100000-001	MIC WIRE CONNECTOR (NOT SHOWN)	1	-	
89	700166-001	EQ-BOX	1	17	
90	300309-001	COMPONENT VIDEO ADAPTER CABLE	1	17	(OPTIONAL)
91	900272-001	INSTALLATION GUIDE / MANUAL (NOT SHOWN)	1	-	
92	300276-TBD	EXT SPEAKER CABLE (LENGTH TBD)	4	17	(NOT INCLUDED)
93	-	COIN ACCEPTOR ADAPTOR CABLE	1	20	

