

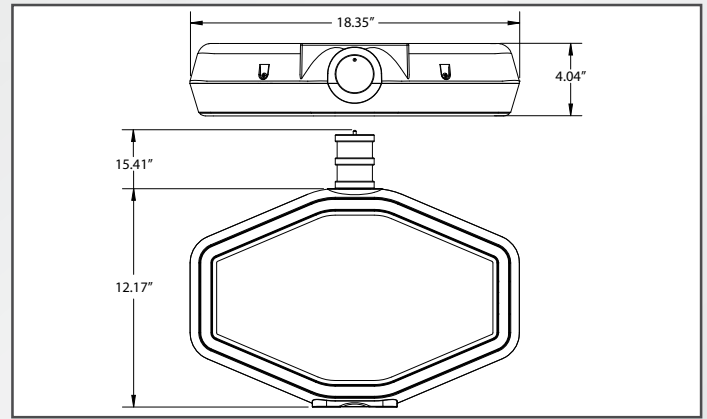
# RGB POLYGON TOPPER



- Great for drawing increased attention to your Hot New or top earning machines
- Completely backlit by 3 High Powered white LED's that have a high Color Rendering Index (CRI) to make your graphics look outstanding
- Translucent bezel contains 48 ultra bright Nichia RGB LED's for a multi-colored light show
- Includes 2 Tier tower light with color foils - Pink(1), Purple(1), Teal(1), Std. Blue(2), Std. Green(1), Orange(1), Red(1), Yellow(1) and White(1)
- Pre-programmed with 10 unique flashing patterns and 7 different color combinations
- Requires +12vdc (3 Amps)
- Body is constructed of black UL-94 V0 flame resistant plastic
- Four different mounting bases available (sold separately) - Flat, Round, Slant and Arc
- Base harness and power supply are both sold separately
- Artwork panel not included
- USB Version available for Replacement use on IGT Games
  - To be plugged into IGT host for complete game control of unique colors and flashing patterns sent from USB host



Pictured with Mounting Base (Sold Separately)



Part Number	Description
95-2852-00	RGB Polygon Topper
91440000	RGB Polygon Topper - USB Version Replacement for use on IGT Games

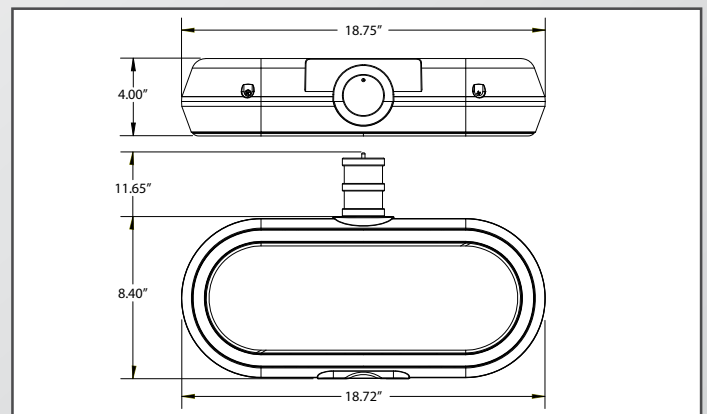
# RGB PILL TOPPER



- Great for drawing increased attention to your Hot New or top earning machines
- Completely backlit by 3 High Powered white LED's that have a high Color Rendering Index (CRI) to make your graphics look outstanding
- Translucent bezel contains 44 ultra bright Nichia RGB LED's for a multi-colored light show
- Includes 2 Tier tower light with color foils - Pink(1), Purple(1), Teal(1), Std. Blue(2), Std. Green(1), Orange(1), Red(1), Yellow(1) and White(1)
- Pre-programmed with 10 unique flashing patterns and 7 different color combinations
- Requires +12vdc (3 Amps)
- Body is constructed of black UL-94 V0 flame resistant plastic
- Four different mounting bases available (sold separately) - Flat, Round, Slant and Arc
- Base harness and power supply are both sold separately
- Artwork panel not included
- USB Version available for Replacement use on IGT Games
  - To be plugged into IGT host for complete game control of unique colors and flashing patterns sent from USB host



Pictured with Mounting Base (Sold Separately)



Part Number	Description
95-2850-00	RGB Pill Topper
91440100	RGB Pill Topper - USB Version Replacement for use on IGT Games

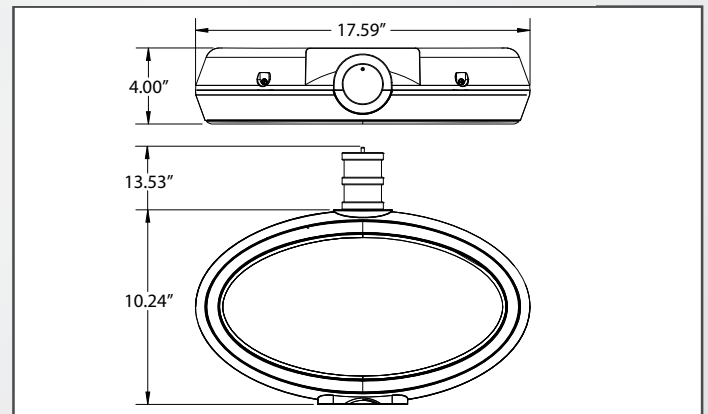
# RGB OVAL TOPPER



- Great for drawing increased attention to your Hot New or top earning machines
- Completely backlit by 3 High Powered white LED's that have a high Color Rendering Index (CRI) to make your graphics look outstanding
- Translucent bezel contains 40 ultra bright Nichia RGB LED's for a multi-colored light show
- Includes 2 Tier tower light with color foils - Pink(1), Purple(1), Teal(1), Std. Blue(2), Std. Green(1), Orange(1), Red (1), Yellow(1) and White(1)
- Pre-programmed with 10 unique flashing patterns and 7 different color combinations
- Requires +12vdc (3 Amps)
- Body is constructed of black UL-94 V0 flame resistant plastic
- Four different mounting bases available (sold separately) - Flat, Round, Slant and Arc
- Base harness and power supply are both sold separately
- Artwork panel not included
- USB Version available for Replacement use on IGT Games
  - To be plugged into IGT host for complete game control of unique colors and flashing patterns sent from USB host



Pictured with Mounting Base (Sold Separately)



Part Number	Description
95-2861-00	RGB Oval Topper
91440200	Oval Topper - USB Version Replacement for use on IGT Games

## ACCESSORIES FOR RGB POLYGON, PILL & OVAL TOPPERS



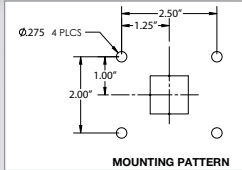
Base Harness



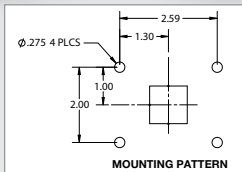
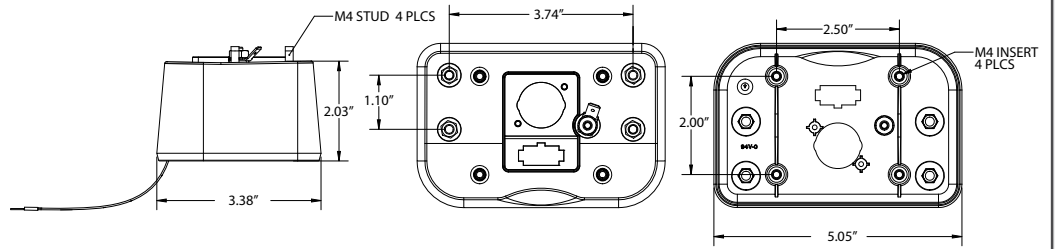
Power Supply

Part Number	Description
95-2866-00	Base Harness for RGB Polygon, Pill and Oval Toppers
80-0071-00	+12vdc 3A Power Supply with GSA 4-Pin Connector For use with RGB Polygon, Pill and Oval Toppers, Flat

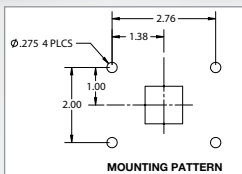
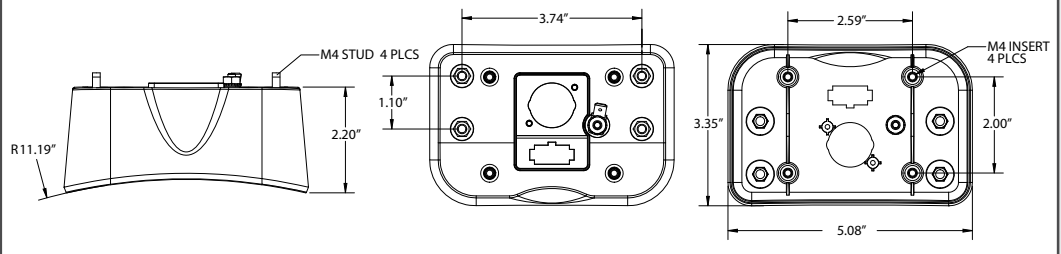
# TOPPER BASES FOR RGB POLYGON, PILL & OVAL TOPPERS



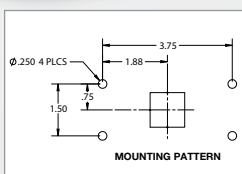
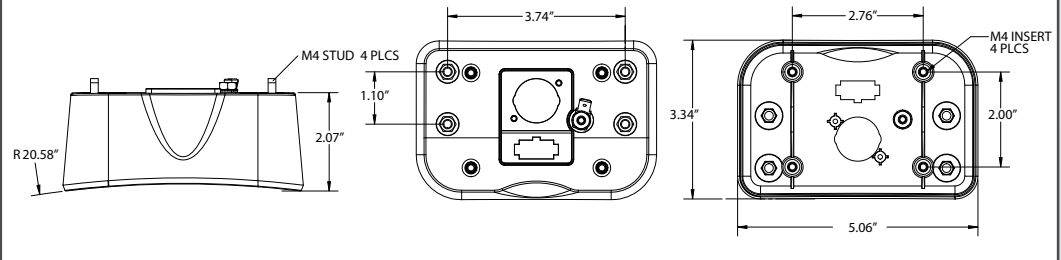
## TOPPER BASE, FLAT DIMENSIONS



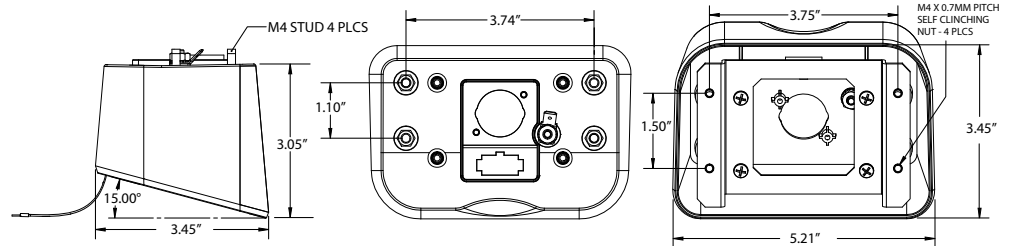
## TOPPER BASE, ROUND DIMENSIONS



## TOPPER BASE, ARCH DIMENSIONS



## TOPPER BASE, SLANT DIMENSIONS



Part Number	Description
95-2862-00	Topper Base for RGB Polygon, Pill and Oval Toppers, Flat
95-2863-00	Topper Base for RGB Polygon, Pill and Oval Toppers, Round
95-2864-00	Topper Base for RGB Polygon, Pill and Oval Toppers, Arch
95-2865-00	Topper Base for RGB Polygon, Pill and Oval Toppers, Slant

# RGB TOWER LIGHT TOPPER

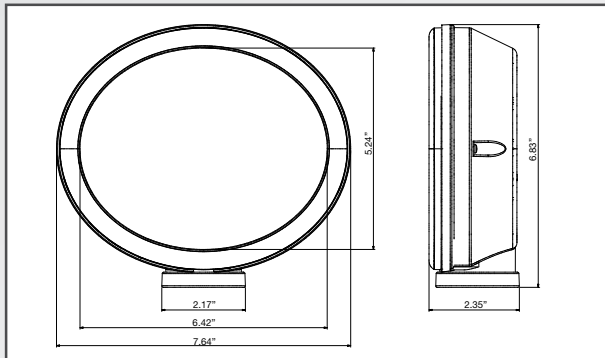


- Designed to be mounted on top of any standard round classic tower light with the included special top mounting bracket
- Works on any standard round tower light that has a diameter between 1.98" (50.29mm) and 2.00" (50.29mm)
- Great for advertising special machine features such as Multi-Denomination, Ticket-In Ticket-Out, Hot New Game, Server Based Gaming, etc.
- Translucent bezel with 20 ultra bright Nichia multi-color RGB LED's provide light output for a elegant multi-colored lightshow
- Pre-Programmed with 8 unique flashing patterns and 7 different color combinations (104-08000)
- Alternative Solid color pattern version available (104-08000-AM)
- Backlit by 9 white high power Nichia LED's
- Operates on +12vdc power
- Comes with dual sized hex thumb nut that has English (6/32" Thread) and Metric (M4 Thread) for easy installation
- Several optional base/cap adapters make it easy to use on other styles of tower lights
  - WMS Bluebird I (PR020-670-03)
  - Aristocrat Veridian (95-2860-00)
  - Bally Super Candle (95-0034-00)
- Optional power harness 11-2801-00 makes it easy to install on existing games by simply tapping into +12vdc and ground or simply use the power supply 80-0414-10 into the service outlet inside of machine
- Artwork panel and tower light are not included
- Durable flame retardant UL94 V0 ABS plastic housing
- Small in size: 7.64" W x 6.83" H x 2.34" D



\*Tower Light  
NOT Included

Part Number	Description
<b>104-08000</b>	RGB Tower Light Topper with Standard Color Patterns
<b>104-08000-AM</b>	RGB Tower Light Topper with AM Color Patterns
<b>PR020-670-03</b>	RGB Tower Light Topper Base/Cap Adapter For WMS Bluebird I Tower Light
<b>95-2860-00</b>	RGB Tower Light Topper Base/Cap Adapter For Aristocrat Veridian Tower Light
<b>95-0034-00</b>	RGB Tower Light Topper Base/Cap Adapter For Bally Super Candle
<b>80-0414-10</b>	Power Supply, +12vdc 2.5A for RGB Tower Light Topper
<b>11-2801-00</b>	Power Extension Harness Kit for RGB Tower Light Topper



STANDARD COLOR PATTERN	
1	Red-Blue-White (Default)
2	Red-White-Green
3	Red-Yellow-White
4	Blue-White-Yellow
5	Blue-Purple-White
6	Green-Blue-Yellow
7	Blue-Red-Green

AM COLOR PATTERN	
1	Red (Default)
2	Blue
3	Green
4	Yellow
5	Purple
6	Red-White
7	Blue-White



\*Tower Lights NOT Included



Adapter for WMS Bluebird I Tower Light  
PR020-670-03



Adapter for Aristocrat Veridian Tower Light  
95-2860-00



Adapter for Bally Super Candle  
95-0034-00

