

MEI

Bill Acceptor

Series 3000

LE 3800
LE 3900

USER FRIENDLY

It's the device your customers can trust to perform reliably — time and time again. The low jam rate and high acceptance rate mean more transactions, less customer frustration and greater profits.



EXCEPTIONAL SECURITY

Through the use of multiple wavelength optical sensing and sophisticated data processing the Series 3000 sets the standard for rejecting invalid bills. Optical cross-channel sensors examine the bill path for foreign objects such as clear tape or strings. The LRC triggers an automatic "lock out" when separated from the unit for added security.



EASY TIME SAVING SET-UP

The Series 3000's new design ensures convenient access to all labeled switches. A simple-to-use configuration coupon allows you to easily set security and bill acceptance options.

HIGH, FOUR-WAY ACCEPTANCE

Satisfy customers by accepting bills of all conditions. Bills can be fed in any direction, face up or down.

FUTURE FLEXIBILITY IN A FLASH

All models accept \$1, \$2, \$5, \$10, \$20, \$50 and \$100 bills. Series 3000 can be easily updated electronically to handle new currency designs from the U.S. Bureau of Engraving and Printing.

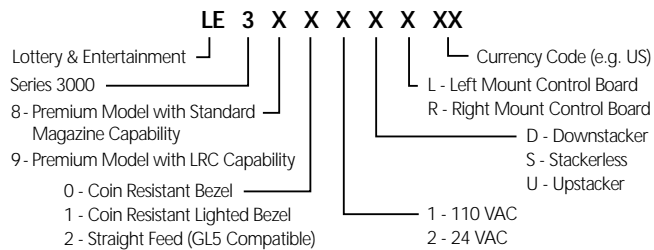
RELIABLE / LOW MAINTENANCE

With the streamlined recognition system, sensors are embedded under the smooth plastic bill path and the magnetic head pinch roller has been eliminated, to dramatically reduce jams, debris buildup and the need for cleaning.



LE 3800/3900 MODEL CONFIGURATION & OPTIONS

LE Series Model Configuration Sample



LE 3800 Options -- Standard Magazines

Part Number	Description
208268005	200 Bill Magazine
208260004	400 Bill Magazine
208262003	600 Bill Magazine
208264002	1000 Bill Magazine

LE 3800/3900 BILL ACCEPTOR SERIES SPECIFICATIONS

Acceptance Rate

95% or greater for U.S. \$1 thru \$100 Bills²

Bill Insertion

Lengthwise, four way (face up/down, either direction)

Validation Speed

Approximately 3 seconds (from bill insertion to completed bill-stacking)

Interfaces

Pulse and multiple serial protocols³

Power Sources

95-132 volts AC, 60 Hz or 20-30 volts AC, 60 Hz

¹Locks not included

²Contact Mars Electronics for other currency options.

³RS 232 and RS 485 conversion module available.

⁴Extended temperature range model available (EX Series).

LE 3000 Series Family Options/ Accessories

Part Number	Description
91-16-159-4	Mounting Kit (Metal Door)
111632001	Mounting Kit (Wood Door)
91-16-279-4	Pulse Counter
111633139	RS 232 Module
111633140	RS 485 Module
91-16-243-4	Connector Kit
01-12-139	Gaming Interface Kit
111636021	Calibration Kit

LE 3900 Options - Lockable Removable Cassettes (LRC)

Part Number	Description
208262008	600 Bill LRC Single Lock ¹
208264007	600 Bill LRC Dual Lock ¹
208266006	600 Bill LRC with Handle & Locking Hasp ¹
111508251	1200 Bill LRC with Handle & Locking Hasp ¹

Power Consumption

Standby: 14 Watts, **Acceptance:** 24 Watts, **Stacking:** 55 Watts

Escrow

One Bill

Shipping Weight

LE 3800/3900: 6 lbs., **1000 bill magazine:** 2 lbs. 9oz., **1200 LRC:** 6 lbs.

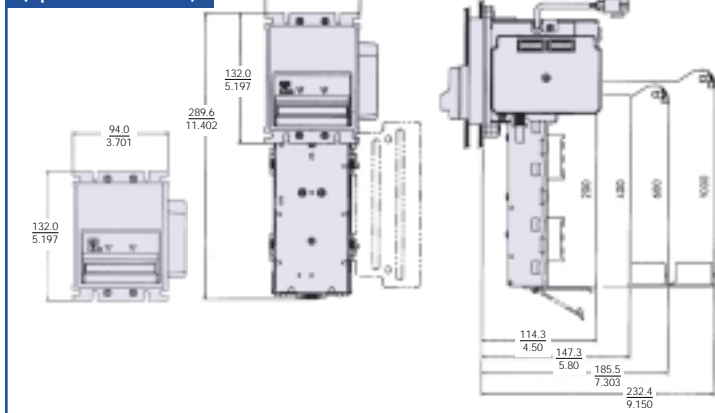
Environment

Operating temperature: -10° C - 50° C⁴

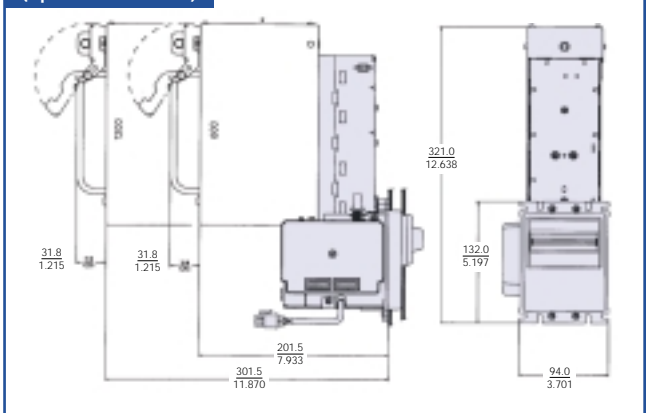
Storage temperature: -30° C - 70° C

Humidity: 5% - 85% Relative Humidity (non-condensing)

LE 3800 Dimensions (Up or Downstacker)



LE 3900 Dimensions (Up or Downstacker)



For additional technical specifications, contact MEI or contact:

Representative:

UNITED STATES

MEI
1301 Wilson Drive
West Chester, PA 19380
Tel: 1 610 430 2500
800 345 8215
Fax: 1 610 430 2694

MEXICO

MEI de Mexico S. de R.L. de C.V.
Queretaro Plant
Av. Santa Rosa de Vitebo #10
Parque Industrial Finsa-Queretaro
El Marques, Qro, Mexico C.P. 76246
Tel: 52 42 382000.
Fax: 52 42 3820-01

UNITED KINGDOM

MEI
Eskdale Road
Winnesh Triangle
Wokingham
Berkshire, RG41 5AQ, England
Tel: 44 1189 697 700
Fax: 44 1189 446 412

SWITZERLAND

MEI
109, ch. Pont-du-Centenaire
Plan-les-Quates
P.O. Box 2650
1211 Geneva 2, Switzerland
Tel: 41 22 884 0505
Fax: 41 22 884 0504

WEB SITE: www.meiglobal.com

TECHNICAL SUPPORT: meitech.support@effem.com

CUSTOMER SUPPORT: meicustomer.service@effem.com

The MEI Device is a registered mark. Information is subject to change without notice. MEI has made every effort to ensure that the information in this document is accurate. However, we cannot be held responsible for any errors or omissions.

