

MEI® AE 2400 BILL VALIDATOR



User friendly

It's the device your customers can trust to perform reliably – time and time again. The low jam rate and high acceptance rate mean more transactions, less customer frustration and greater profits.

High acceptance rate

More convenience means higher customer satisfaction. Series 2000 satisfies customers by accepting torn, wrinkled, faded, damp, dirty, limp, folded, spindled or mutilated bills. Little or no bill preparation is required. For tentative or impatient customers, bills can be fed in any direction, face up or down.

Other user-friendly features include increased bill capacity that ensures ongoing service at high-volume sites.

Easy, time-saving setup

The Series 2000's new design ensures convenient access to all switches. Easy-to-read labels explain switch settings. With the AE 2400, options can be easily customized on-location via a simple-to-use configuration coupon.

Low maintenance

With the streamlined recognition system, sensors are embedded under the smooth plastic bill path and the magnetic pinch roller has been eliminated, dramatically reducing debris buildup and the need for cleaning.

MEI FLASHPORT™ for future flexibility

The AE 2400 accepts all \$1, \$2, and \$5 bills in circulation. Also, the unit's re-programmable flash memory enables quick, easy updates of software files such as new currency designs or value coupons.

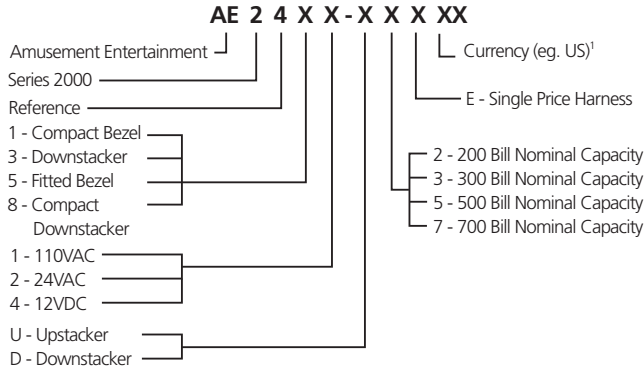
Enhanced security

Borrowing from our gaming industry expertise, we've applied the same hi-security technology to the Series 2000 bill validator. Our enhanced multi-wavelength optics and sophisticated data processing combine to make the AE 2400 a superior value. Also, the fully-encased, optical sensors ensure consistent, high-quality recognition.

While no system can claim complete security, the Series 2000 bill validator's sensors greatly reduce vulnerability to both "yank cheating" and invalid bills.

AE 2400 MODEL CONFIGURATION AND OPTIONS

AE Series Model Configuration Sample



¹ Call MEI for other currency options

AE 2400 Options/Accessories

Part Number	Description
250066027	Series 2000 Locking Hasp Kit (two per box)
91-16-159-4	Mounting Kit (Metal Door)
01-12-139	Gaming Interface Kit

AE 2400 Magazine Options

Part Number	Description
250063015	200 Bill Magazine
250061016	300 Bill Magazine
250069017	500 Bill Magazine
250068021	700 Bill Magazine
250060086	1000 Bill Magazine (pack 4)

AE 2400 BILL VALIDATOR SPECIFICATIONS

Acceptance Rate

95% for \$1, \$2, and \$5 bills

Bill Insertion

Lengthwise, four way (face up / down, either direction)

Transaction Speed

Approximately 3 seconds (from bill insertion to completed bill-stacking)

Interfaces

Pulse

Power Sources

90 to 135 VAC, 60 Hz or 18 to 28 volts AC, 60 Hz or 12 VDC

Power Consumption

Standby: 5 Watts, **Acceptance:** 10 Watts, **Full Stack Max:** 50 Watts

Escrow

One Bill

Shipping Weight

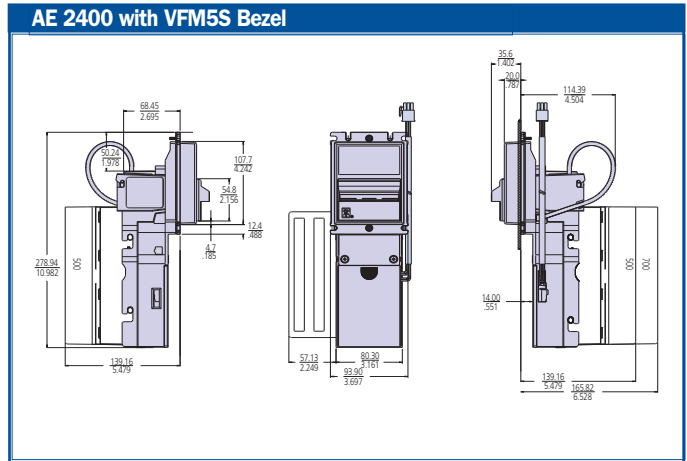
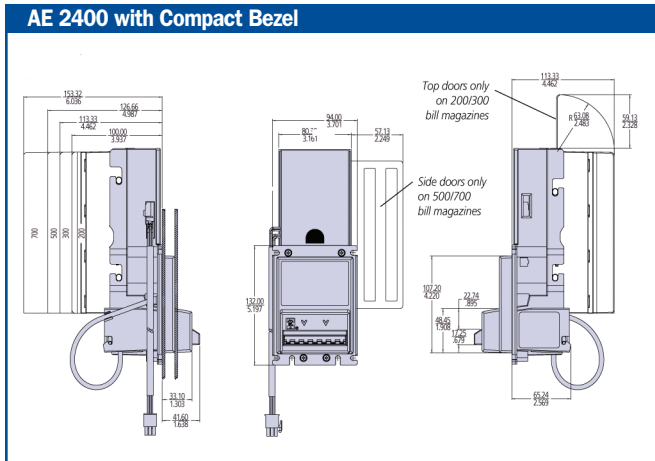
4 pounds

Environment

Operating temperature: -15° C to 60° C

Storage temperature: -40° C to 70° C

Humidity: 5% to 95% Relative Humidity (non-condensing)



The MEI Device and MEI CASHFLOW are trademarks of MEI. Information is subject to change without notice. MEI has made every effort to ensure that the information in this document is accurate. However, we cannot be held responsible for any errors or omissions.

© 2009 MEI. All rights reserved. 4/09

MEI Corporate Headquarters
 1301 Wilson Drive
 West Chester, Pennsylvania 19380
 1-610-430-2700
 1-800-345-8215



MEI is ISO 9001:2000 Certified